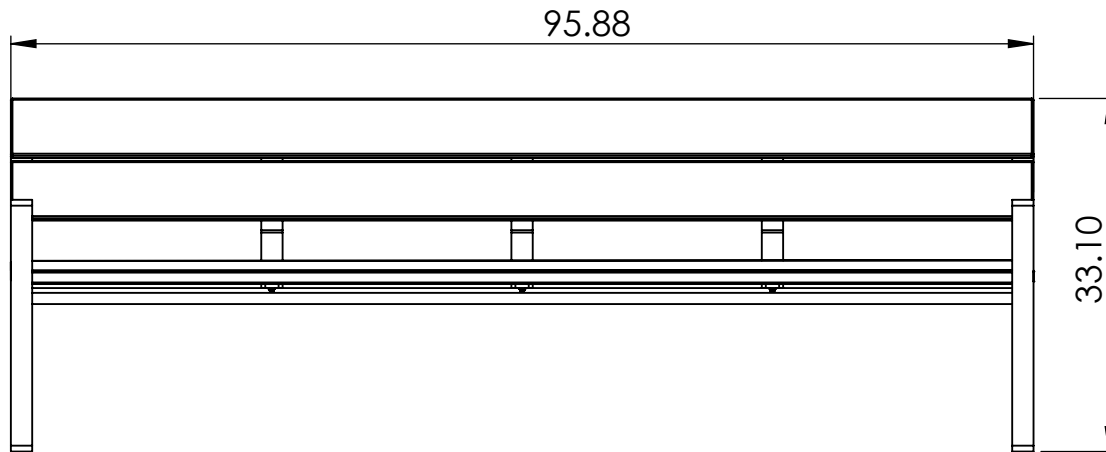
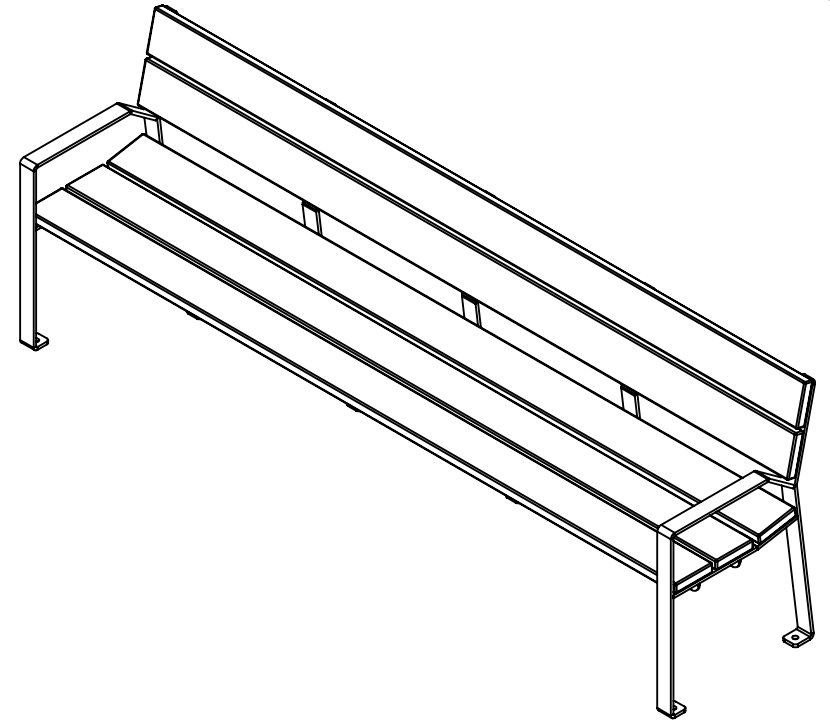
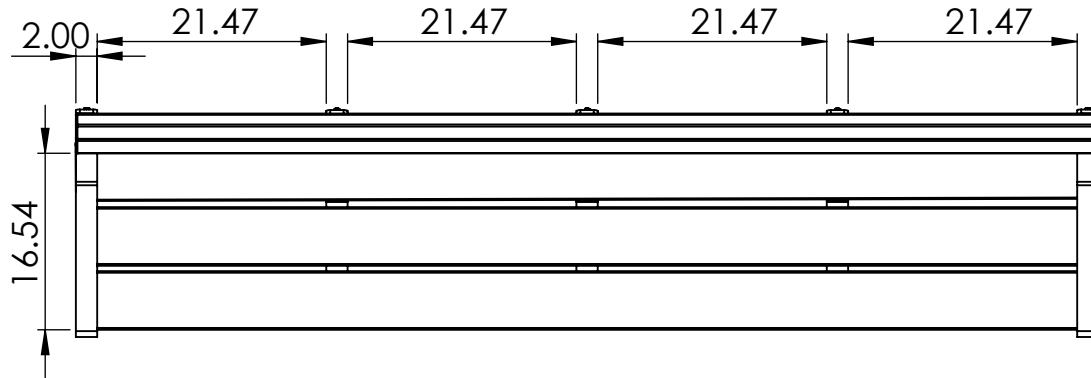


BENCH SPECIFICATIONS

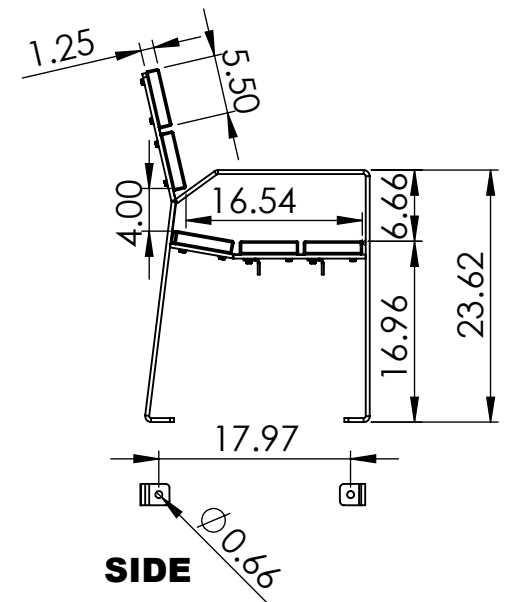
BC1948

TOP



FRONT

CONSTRUCTION MATERIALS:
Recycled Plastic
HARDWARE:
Stainless Steel



SIDE

ALL DIMENSIONS ARE SHOWN IN INCHES