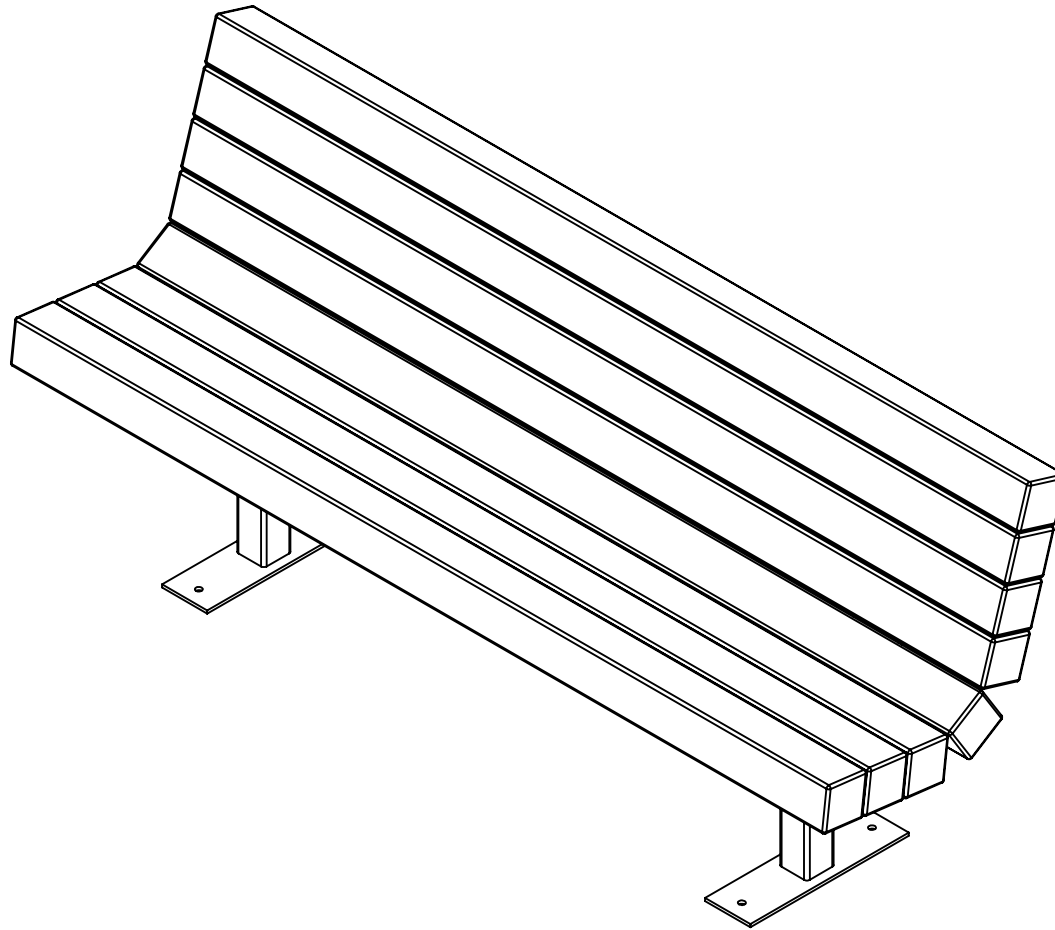


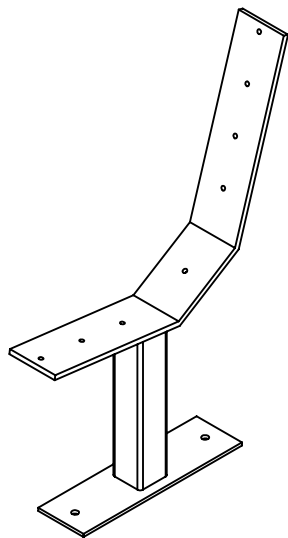
# BENCH INSTRUCTIONS

BC1270 REV# 2 7-15-2016

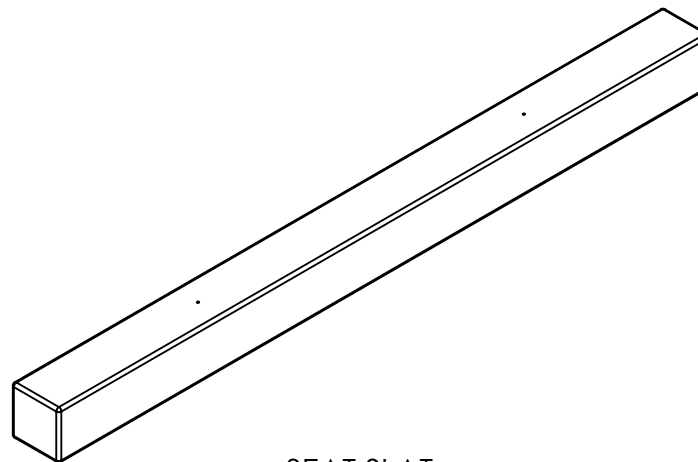
BC1271  
BC1272  
BC1273  
BC1310  
BC1311  
BC1312  
BC1313



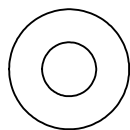
# BENCH INSTRUCTIONS



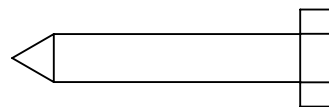
BENCH END  
ABC-SS11005  
X2



SEAT SLAT  
X8



1/4" FLAT WASHER  
X16  
F0001

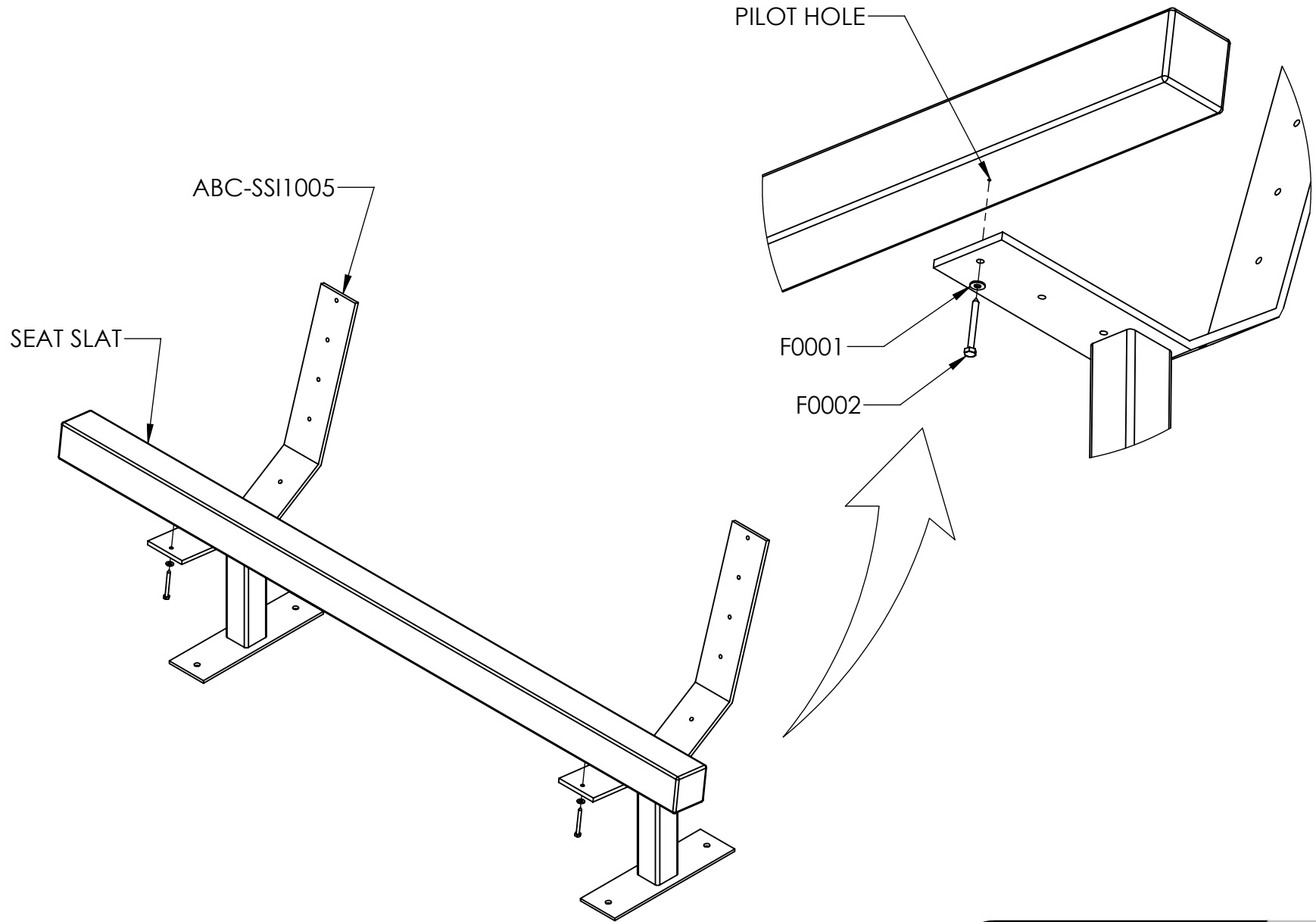


1/4" X 1.50" LAG SCREW  
X16  
F0002

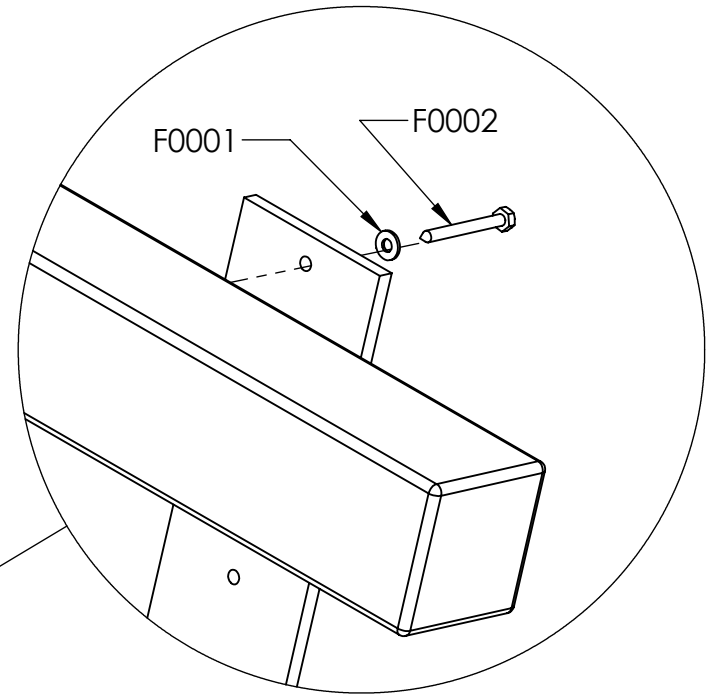
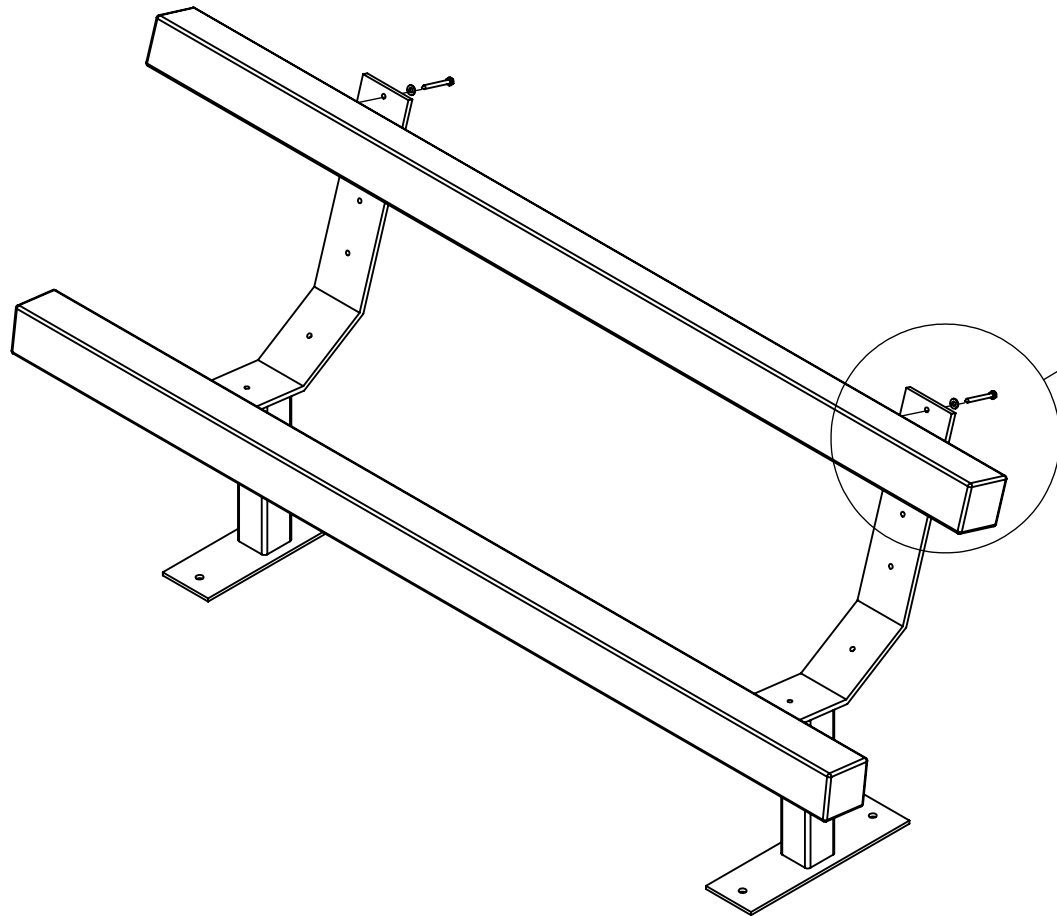
**REQUIRED TOOLS:**  
-(1) SCREW GUN  
-(1) 7/16" SOCKET

**INCLUDED HARDWARE &  
REQUIRED TOOLS FOR  
ASSEMBLY**

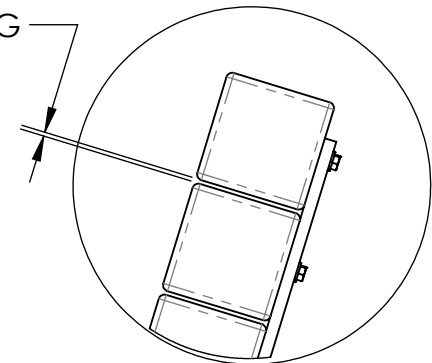
# BENCH INSTRUCTIONS



# BENCH INSTRUCTIONS



1/8" SPACING



SPACING DETAIL

**REPEAT STEP FOR REMAINING SEAT SLATS.**

**KEEP SPACING BETWEEN BOARDS  
APPROXIMATELY 1/8".**

**ATTACH SEAT SLAT**

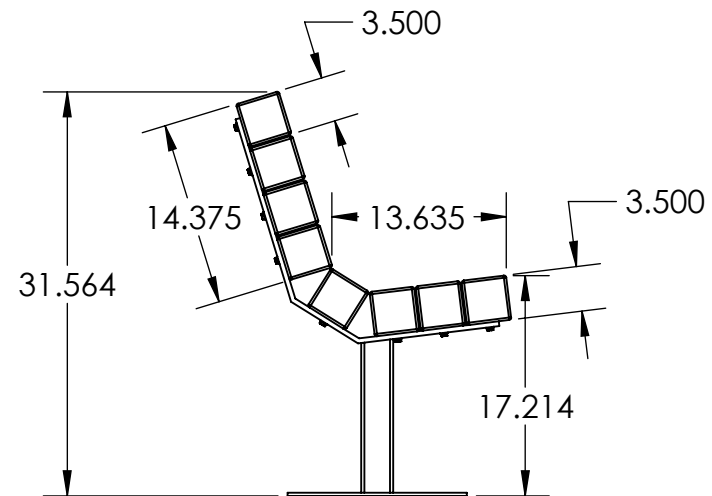
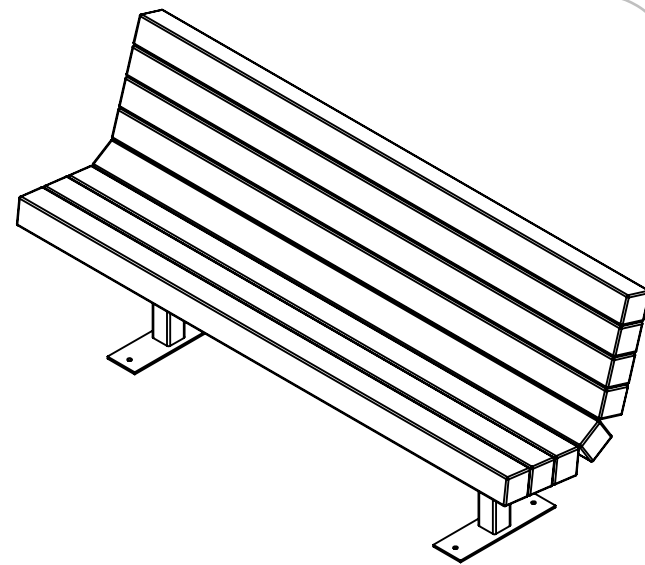
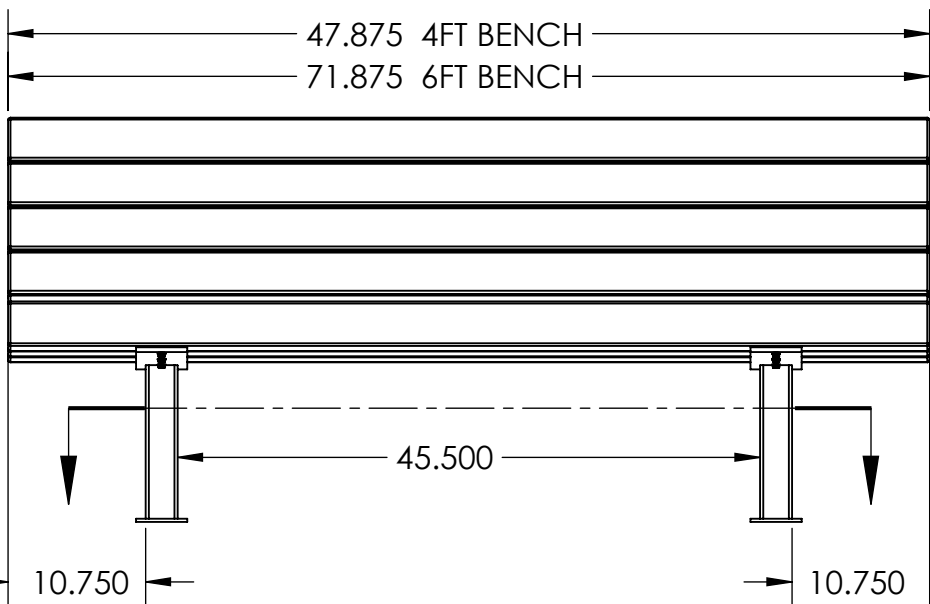
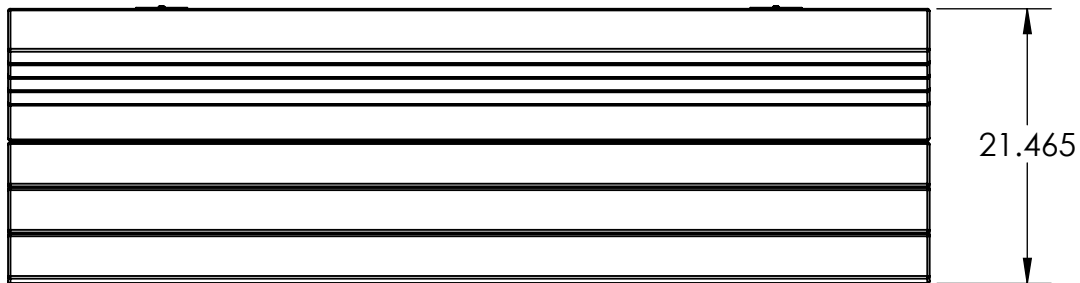
**4/5**

# BENCH SPECIFICATIONS

ALL DIMENSIONS SHOWN IN INCHES

- BC1270
- BC1271
- BC1272
- BC1273
- BC1310
- BC1311
- BC1312
- BC1313

TOP VIEW



**CONSTRUCTION MATERIALS:**  
Recycled Plastic, Powder Coated Steel  
**HARDWARE:**  
Stainless Steel

MOUNTING DETAIL

