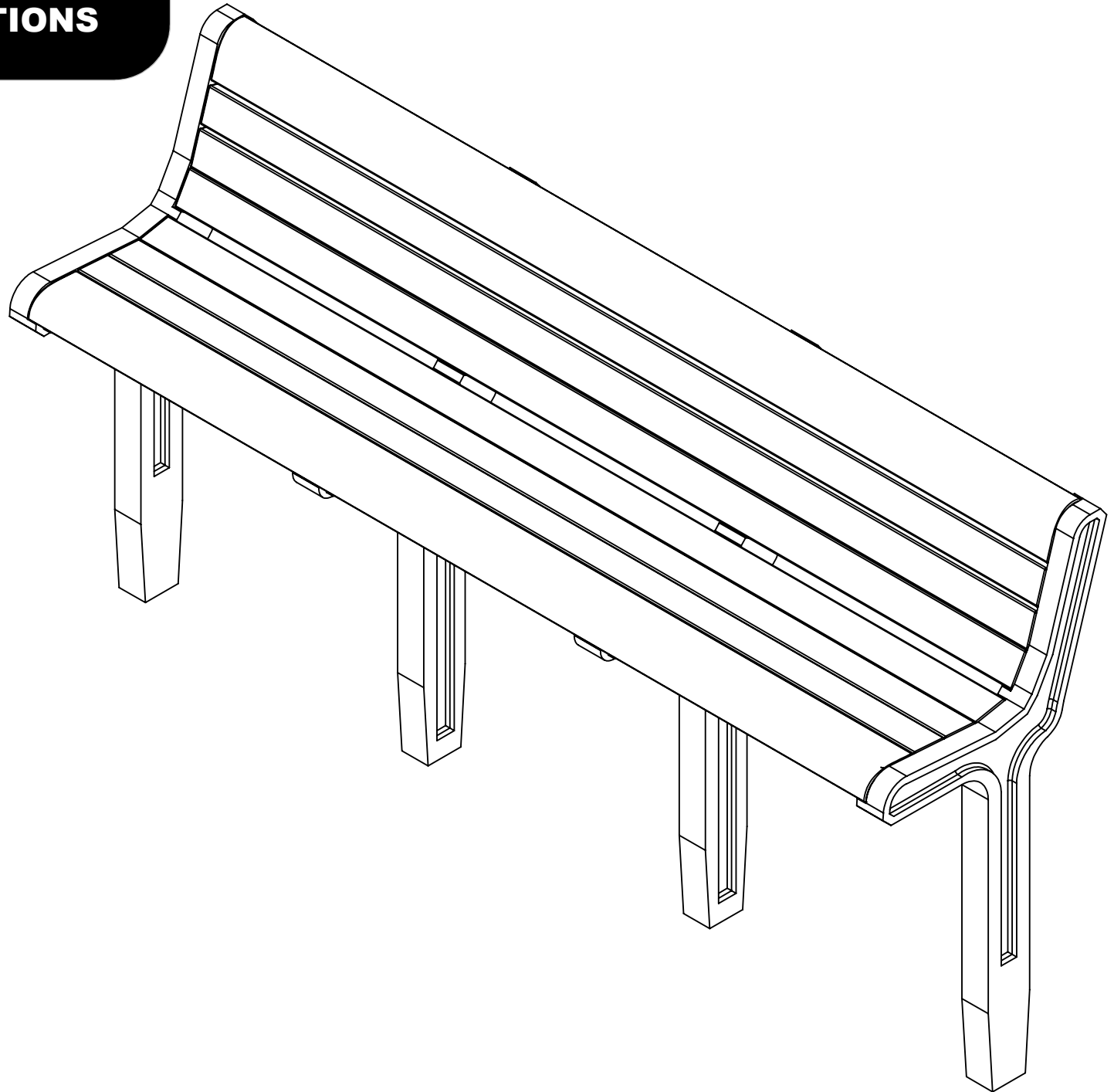


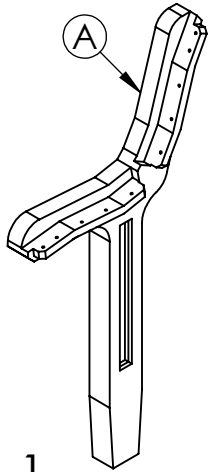
# BENCH INSTRUCTIONS

BC2085  
BC2086  
BC2087  
BC2088  
BC2089

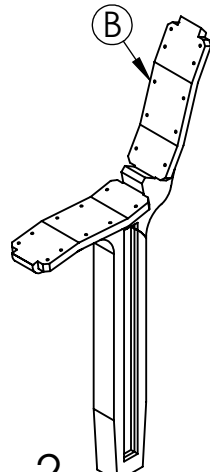
REV# 3  
3/21/2018



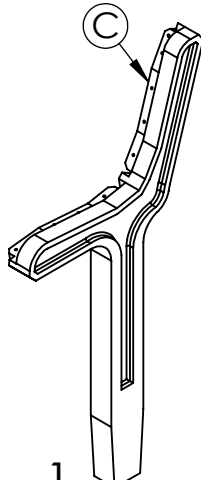
# BENCH INSTRUCTIONS



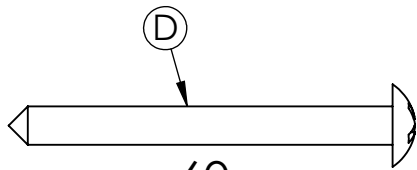
1  
LEFT SIDE  
BENCH END  
PRI7213L



2  
CENTER  
BENCH END  
PRI7213C



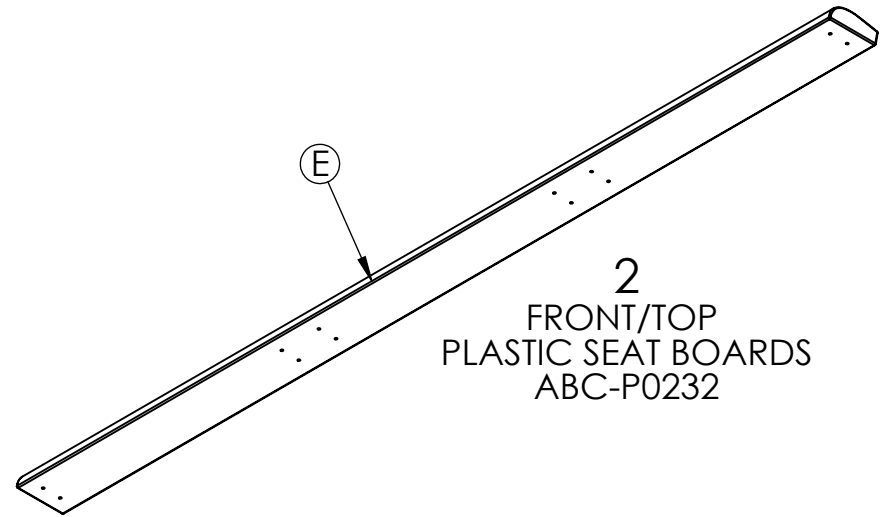
1  
RIGHT SIDE  
BENCH END  
PRI7213R



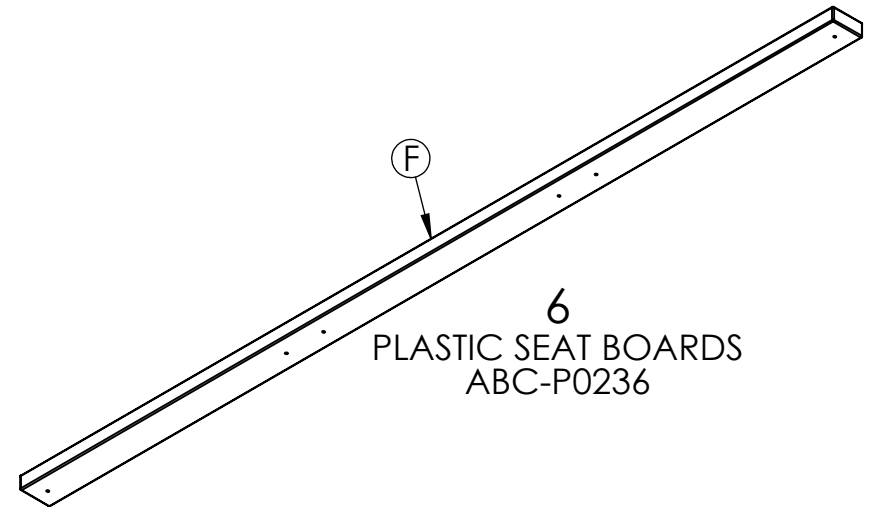
60  
#12 X 2" PAN HEAD SCREWS  
SMPP012C200A188

## REQUIRED TOOLS (NOT INCLUDED)

- POWER DRILL
- #2 PHILLIPS BIT
- LEVEL
- SAKCRETE
- GUIDE WIRE / BRACING



2  
FRONT/TOP  
PLASTIC SEAT BOARDS  
ABC-P0232



6  
PLASTIC SEAT BOARDS  
ABC-P0236

**NOTE: IT IS IMPORTANT TO KEEP ALL SCREWS LOOSE DURING ASSEMBLY UNTIL ENTIRE BENCH IS ASSEMBLED**

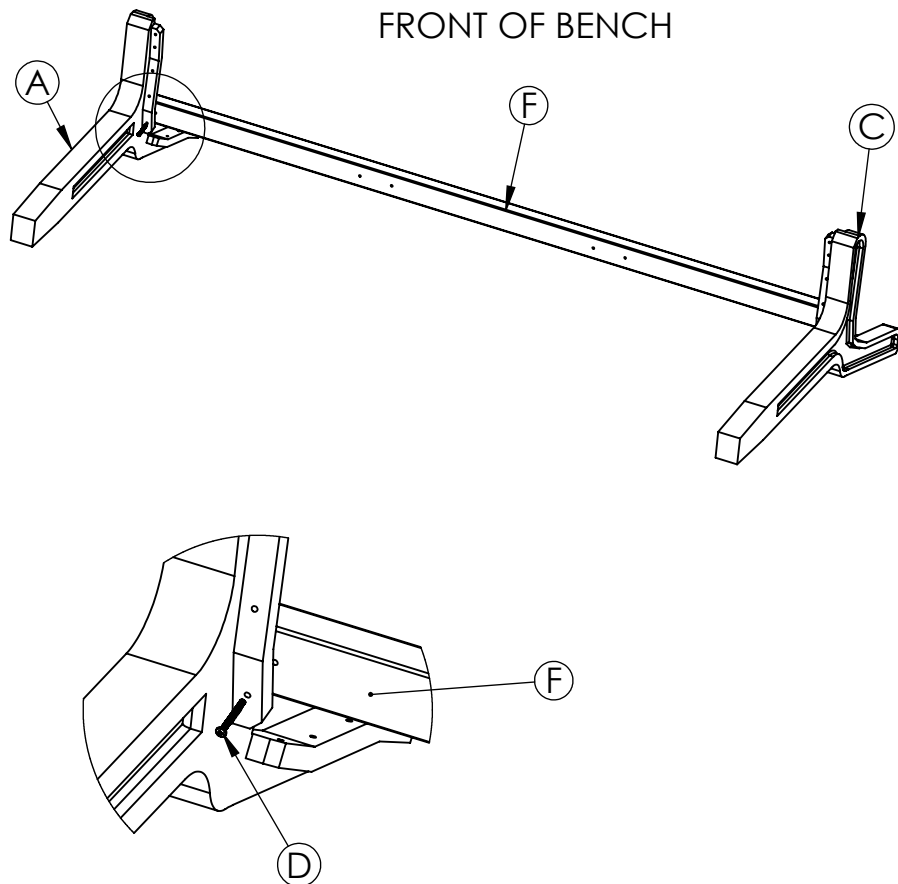
**HARDWARE &  
TOOLS REQUIRED  
FOR ASSEMBLY**

**2/7**

# BENCH INSTRUCTIONS

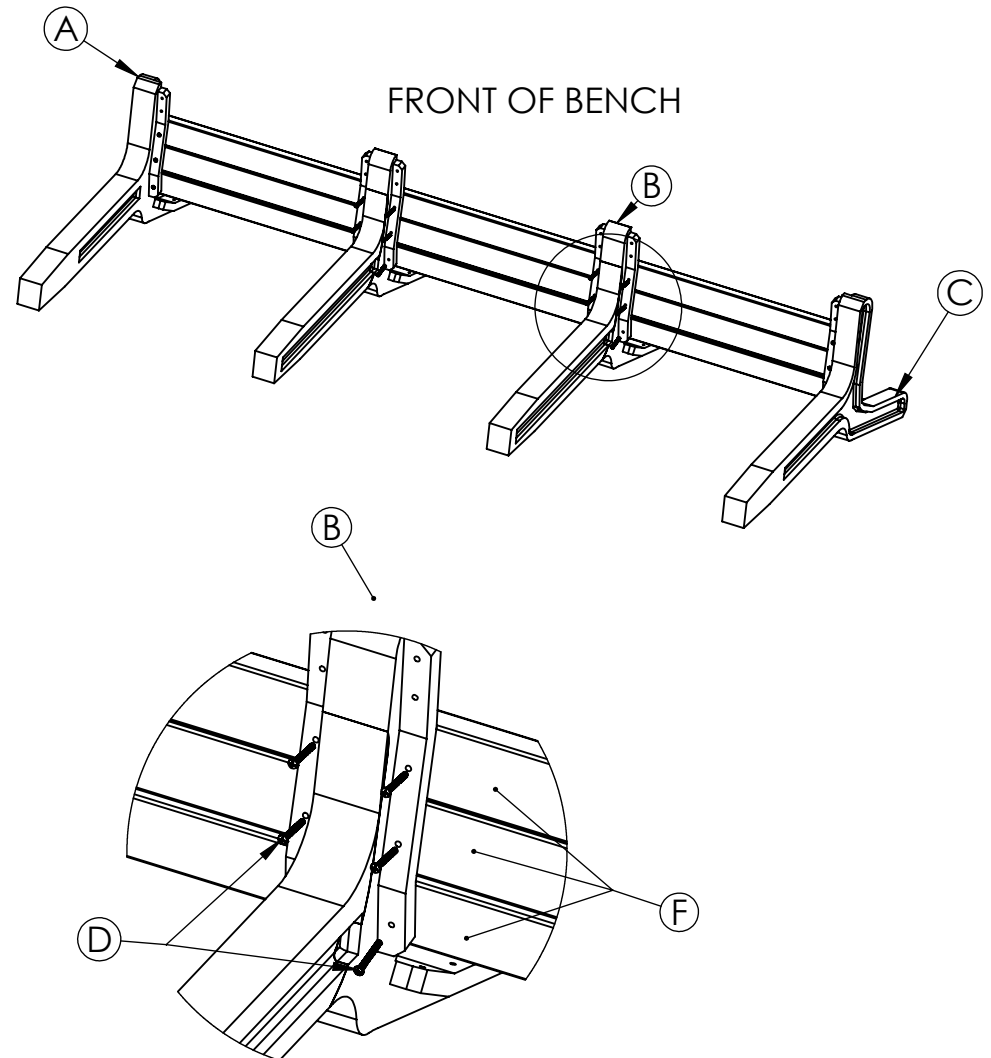
## STEP 1 Seat Assembly

- Lay Left Bench End (A) and Right Bench End (C) on its back with the front legs pointing up
- Lay a Plastic Seat Board (F) over the bench ends (A & C) closest to the rear leg on the seat
- Align the marks in the Plastic Seat Board (F) with the predrilled holes in the Bench Ends (A & C)
- Secure the Plastic Seat Board (F) with the #12 x 2 screws (D)
- Repeat for 2 more Plastic Seat Boards (F) starting at the rear and working toward the front



## STEP 2 Seat Assembly

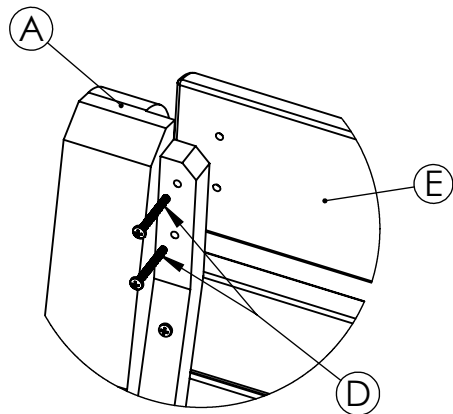
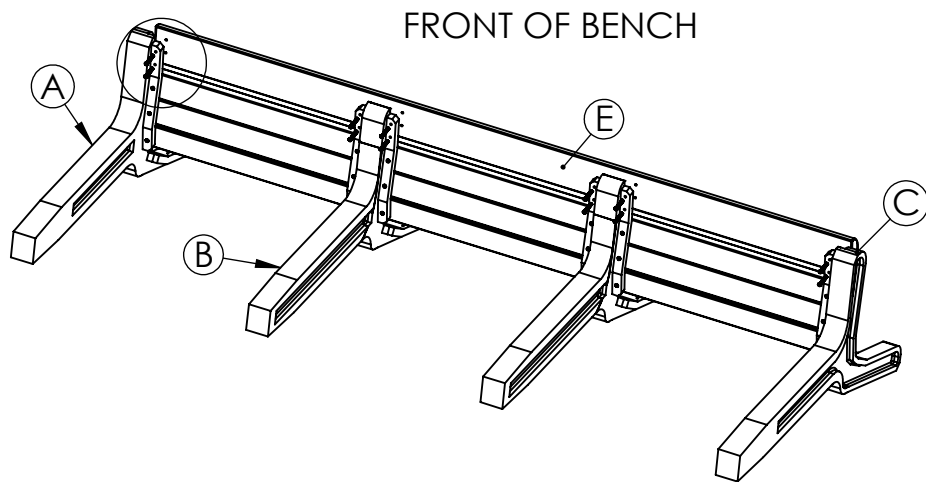
- With the bench still on its back, lay the Center Bench End (B) onto Plastic Seat Boards (F)
- Align the marks in the Plastic Seat Board (F) with the predrilled holes in the Center Bench End (B)
- Secure the three Plastic Seat Boards (F) with the #12 x 2 screws (D) to the Center Bench End (B)



# BENCH INSTRUCTIONS

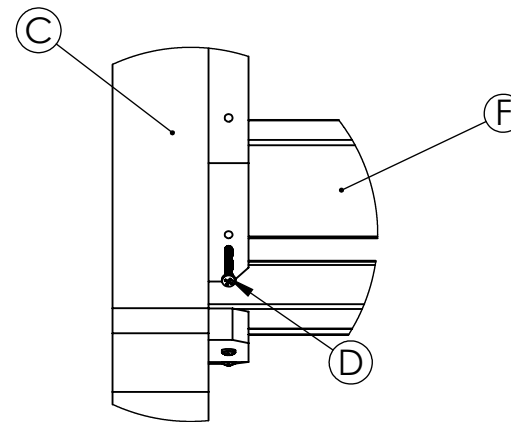
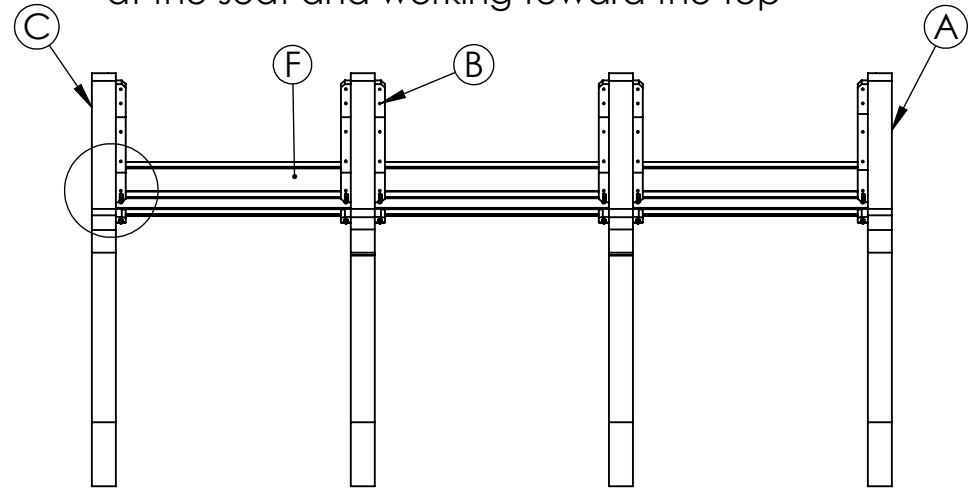
## STEP 3 Seat Assembly

- With the bench still on its back, lay the Front/Top Plastic Seat Board (E) onto the Bench Ends (A,B,C)
- Align the marks in the Plastic Seat Board (E) with the predrilled holes in the Bench Ends (A,B,C)
- Secure the three Plastic Seat Boards (F) with the #12 x 2 screws (D) to the Bench Ends (A,B,C)



## STEP 4 Back Assembly

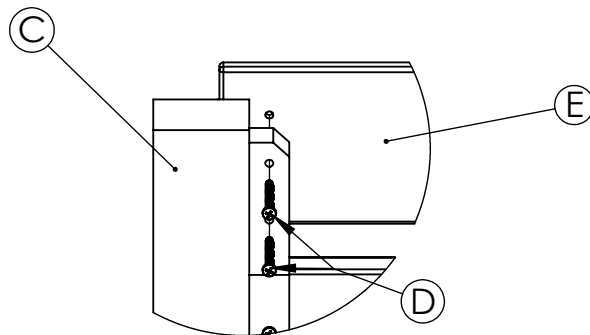
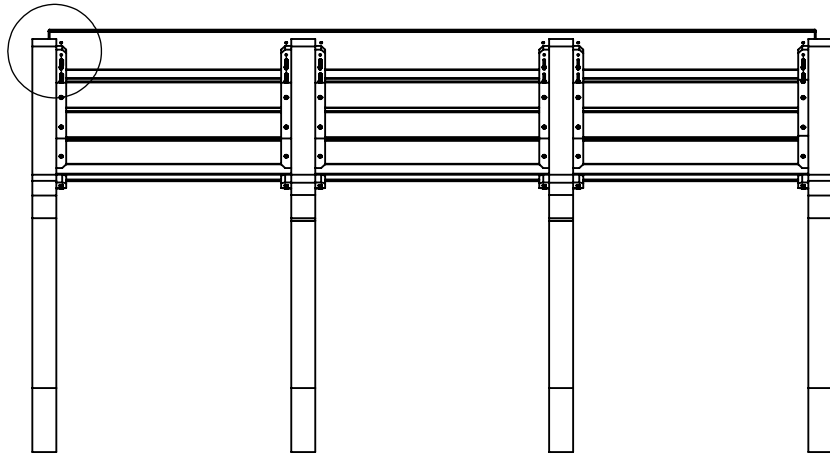
- Turn bench over
- Lay a Plastic Seat Board (F) over the bench ends (A,B,C) closest to the seat
- Align the marks in the Plastic Seat Board (F) with the predrilled holes in the Bench Ends (A,B,C)
- Secure the Plastic Seat Board (F) with the #12 x 2 screws (D)
- Repeat for 2 more Plastic Seat Boards (F) starting at the seat and working toward the top



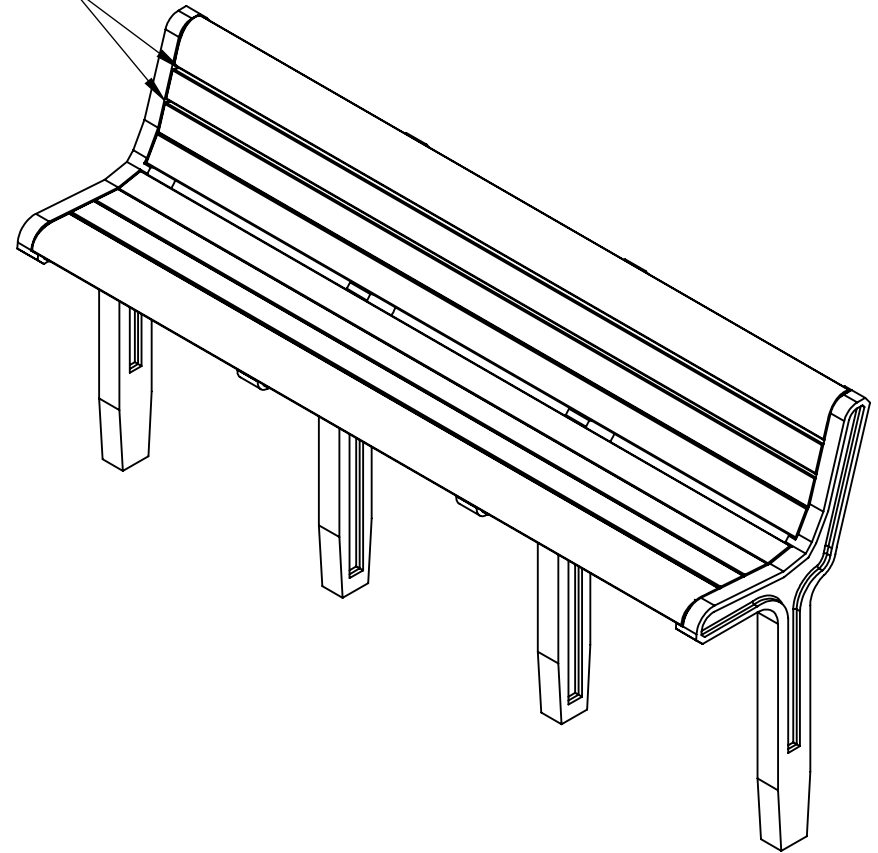
# BENCH INSTRUCTIONS

## STEP 5 Back Assembly

- Lay a Front/Top Plastic Seat Board (E) over the bench ends (A,B,C) at the top of the bench
- Align the marks in the Front/Top Plastic Seat Board (F) with the predrilled holes in the Bench Ends (A,B,C)
- Secure the Front/Top Plastic Seat Board (F) with the #12 x 2 screws (D)



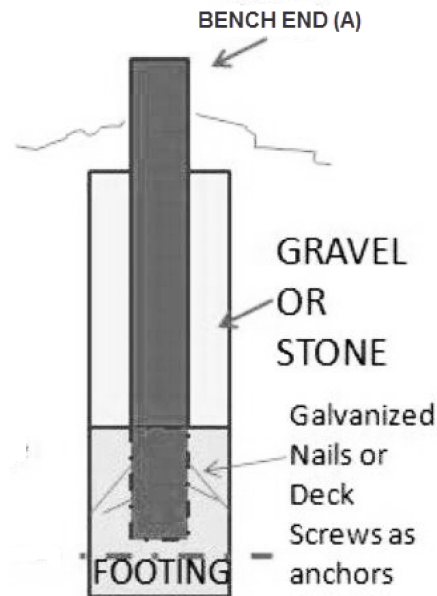
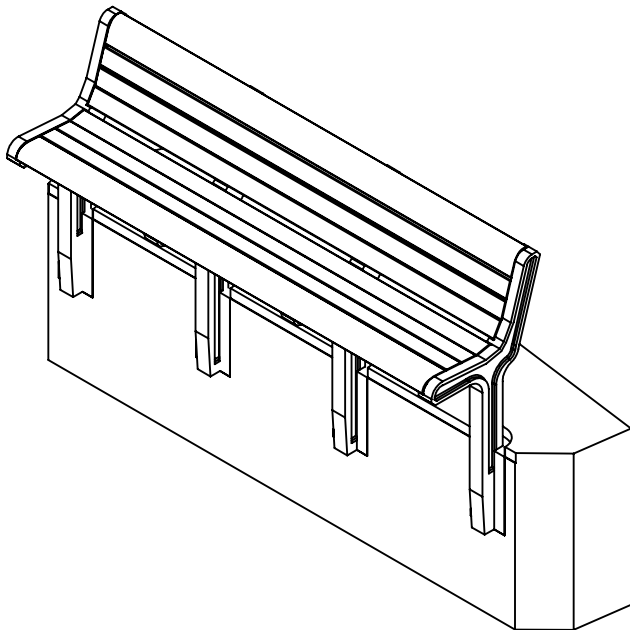
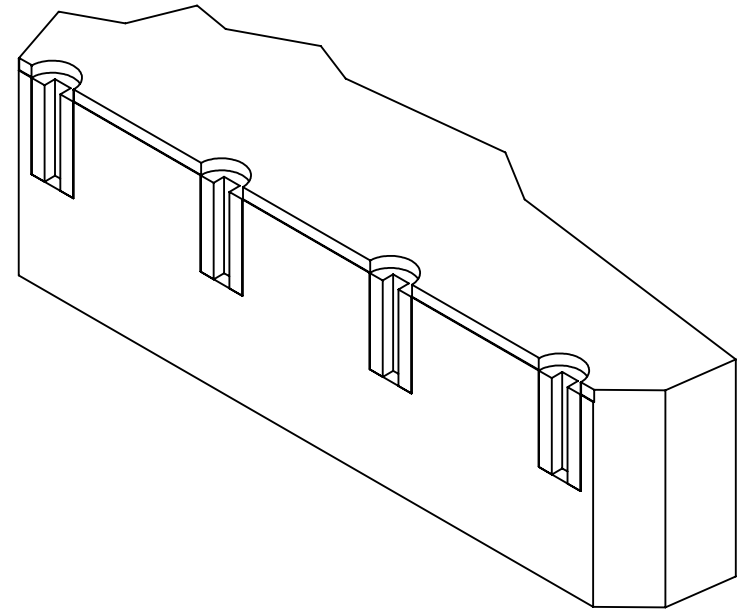
**NOTE:** THERE IS APPROXIMATELY  
A 0.5" GAP BETWEEN  
THE TOP THREE BOARDS



# BENCH INSTRUCTIONS

## STEP #6 INGROUND MOUNT

- A. Lay Bench Flat on the ground where it will be installed
- B. Dig four holes, approximately 8" in diameter to a depth of 18"



BENCH END (A) IN POURED CONCRETE FOOTING

## STEP #7 INGROUND MOUNT

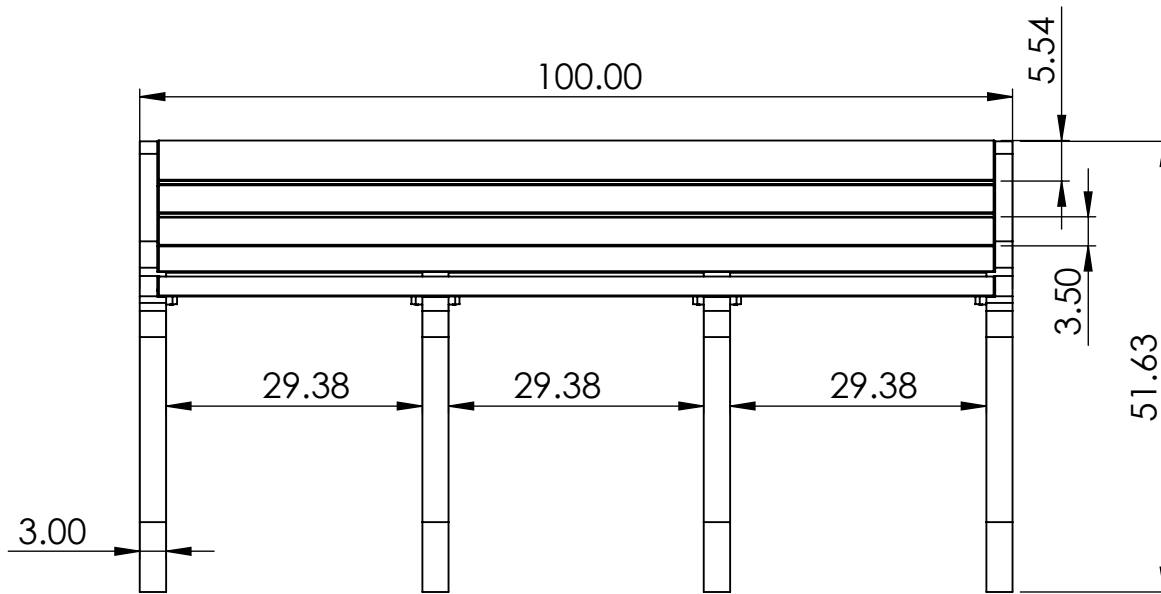
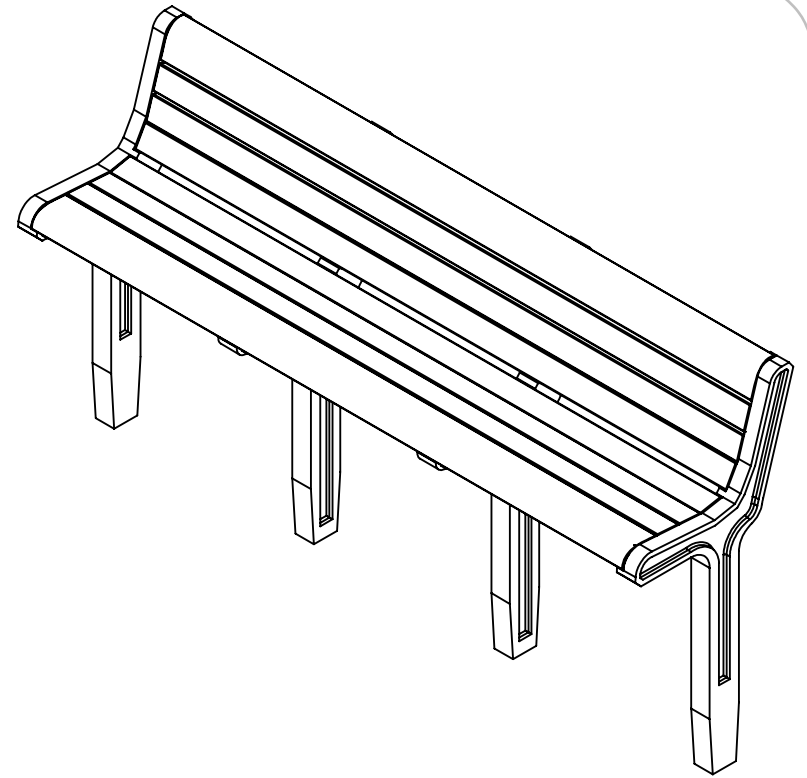
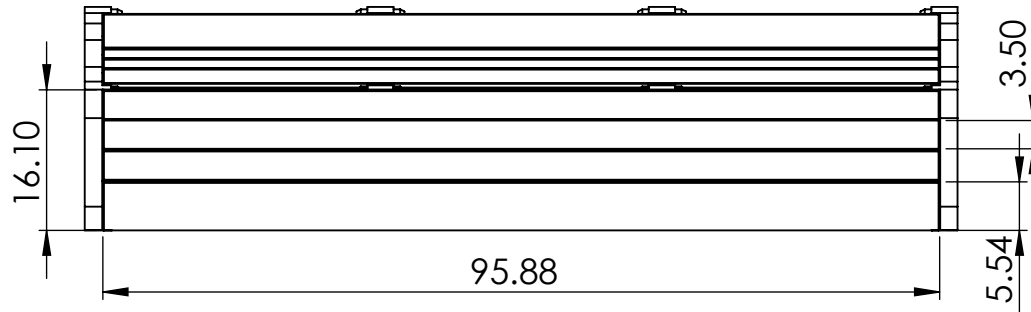
- A. Place Bench Ends (A) into holes
- B. Fill with Sakcrete to a level about 4" - 6" below ground level
- C. Use guide wire to secure until Sakcrete is dry
- D. Use a level to make sure Bench is square and level

# BENCH SPECIFICATIONS

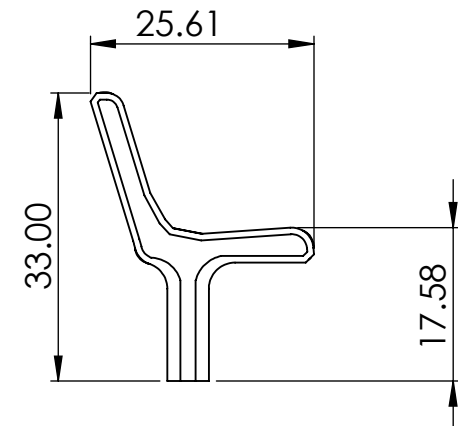
REV# 3  
3/21/2018

BC2085  
BC2086  
BC2087  
BC2088  
BC2089

**TOP**



**FRONT**



**SIDE**

**CONSTRUCTION MATERIALS:**  
Recycled Plastic  
**HARDWARE:**  
Stainless Steel

ALL DIMENSIONS ARE SHOWN IN INCHES