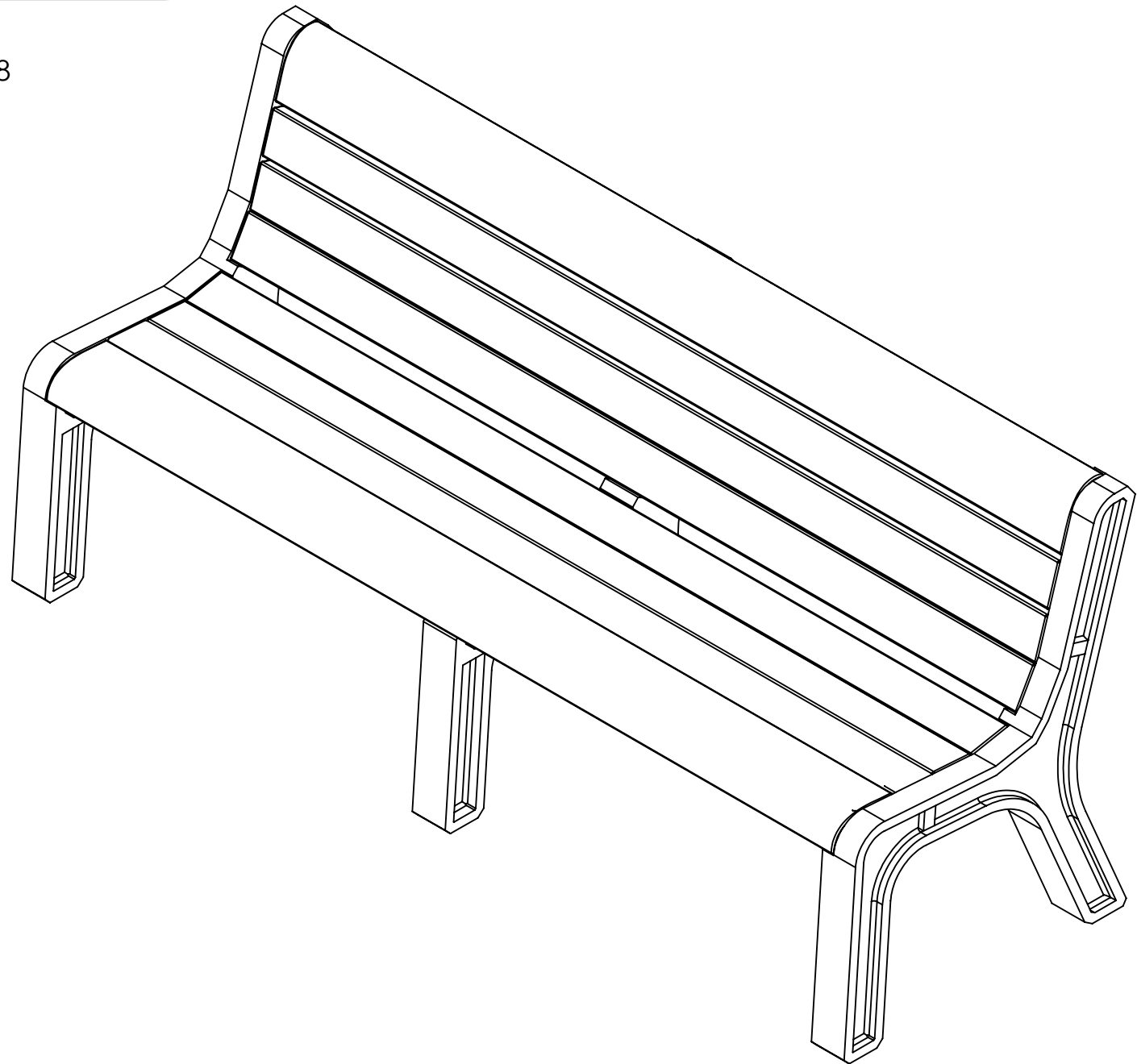


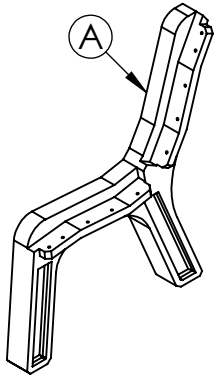
BENCH INSTRUCTIONS

BC2060
BC2061
BC2062
BC2063
BC2064

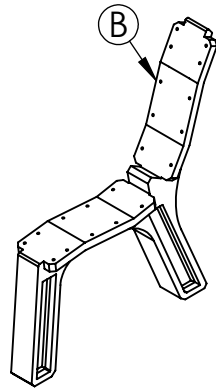
REV# 2
3/14/2018



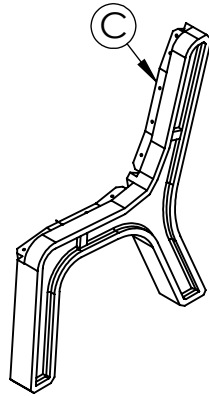
BENCH INSTRUCTIONS



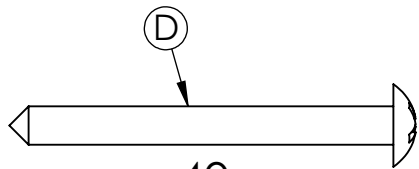
1
LEFT SIDE
BENCH END
PRI7209L



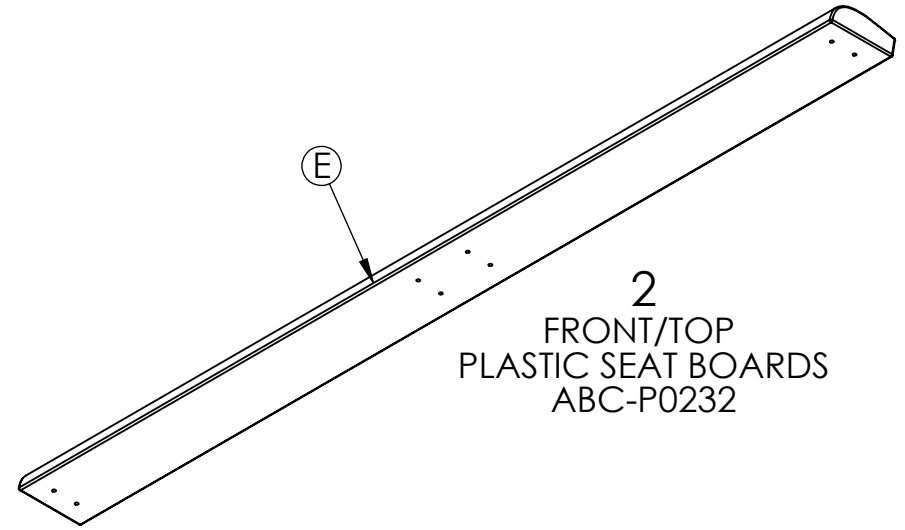
1
CENTER
BENCH END
PRI7209C



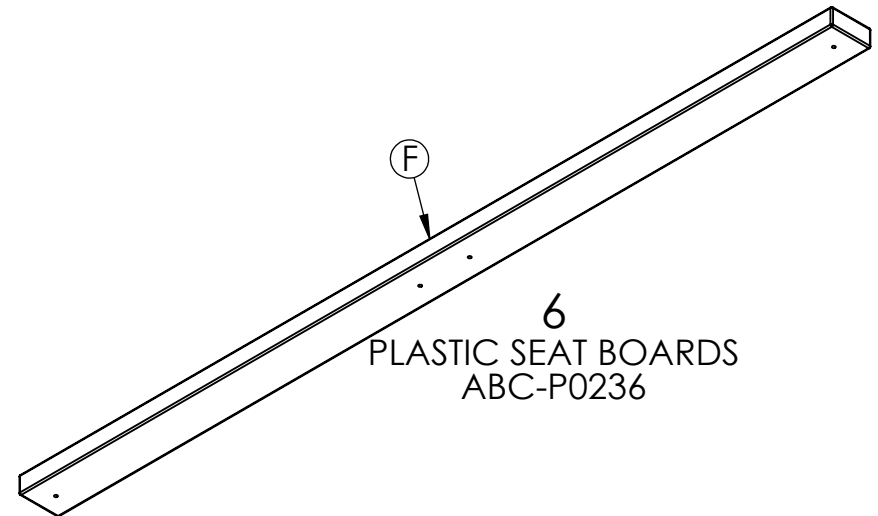
1
RIGHT SIDE
BENCH END
PRI7209R



40
#12 X 2" PAN HEAD SCREWS
SMPP012C200A188



2
FRONT/TOP
PLASTIC SEAT BOARDS
ABC-P0232



6
PLASTIC SEAT BOARDS
ABC-P0236

REQUIRED TOOLS (NOT INCLUDED)

- POWER DRILL
- #2 PHILLIPS BIT

NOTE: IT IS IMPORTANT TO KEEP ALL SCREWS LOOSE DURING ASSEMBLY UNTIL ENTIRE BENCH IS ASSEMBLED

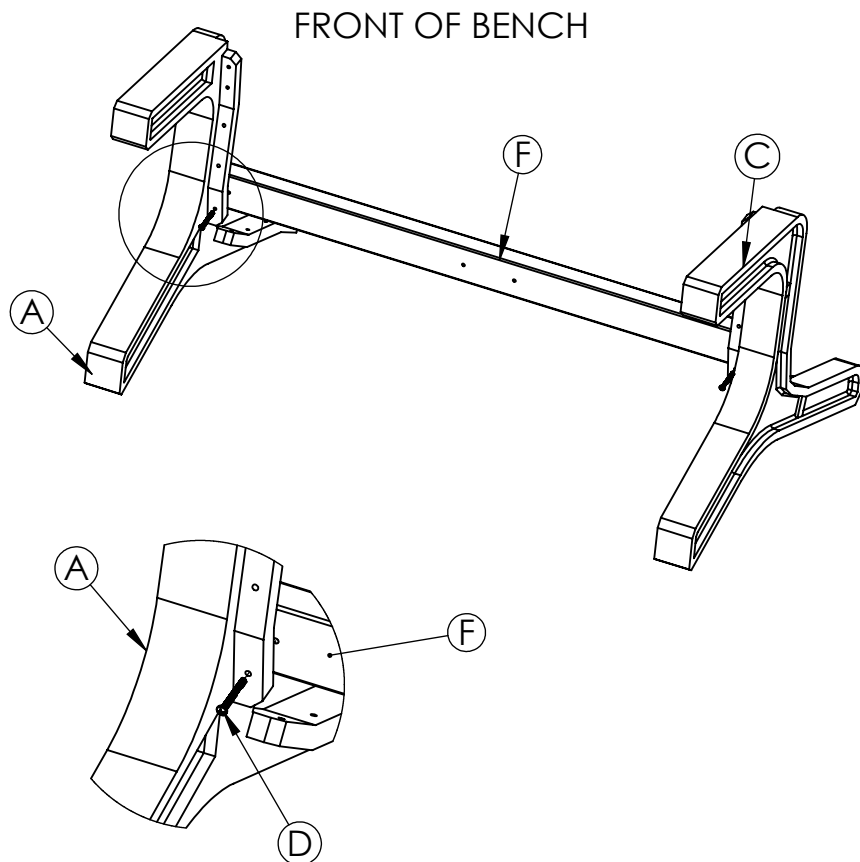
**HARDWARE &
TOOLS REQUIRED
FOR ASSEMBLY**

2/6

BENCH INSTRUCTIONS

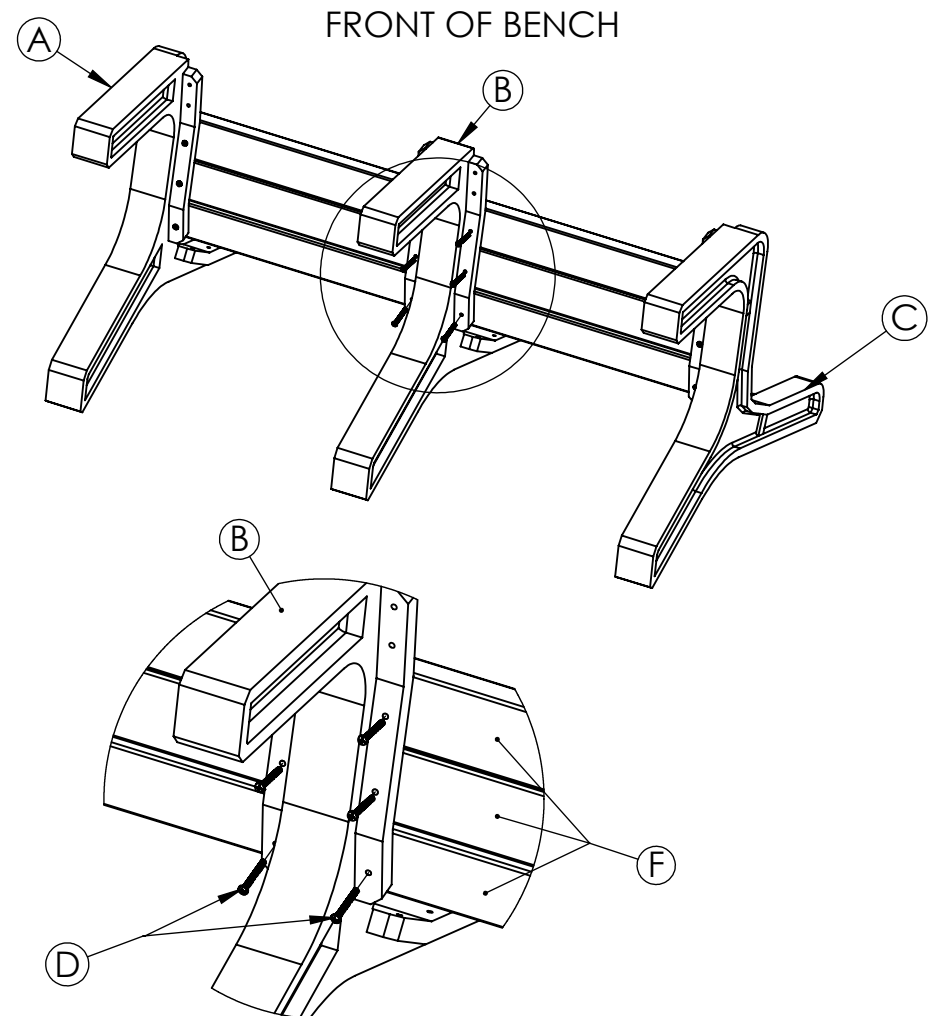
STEP 1 Seat Assembly

- Lay Left Bench End (A) and Right Bench End (C) on its back with the front legs pointing up
- Lay a Plastic Seat Board (F) over the bench ends (A & C) closest to the rear leg on the seat
- Align the marks in the Plastic Seat Board (F) with the predrilled holes in the Bench Ends (A & C)
- Secure the Plastic Seat Board (F) with the #12 x 2 screws (D)
- Repeat for 2 more Plastic Seat Boards (F) starting at the rear and working toward the front



STEP 2 Seat Assembly

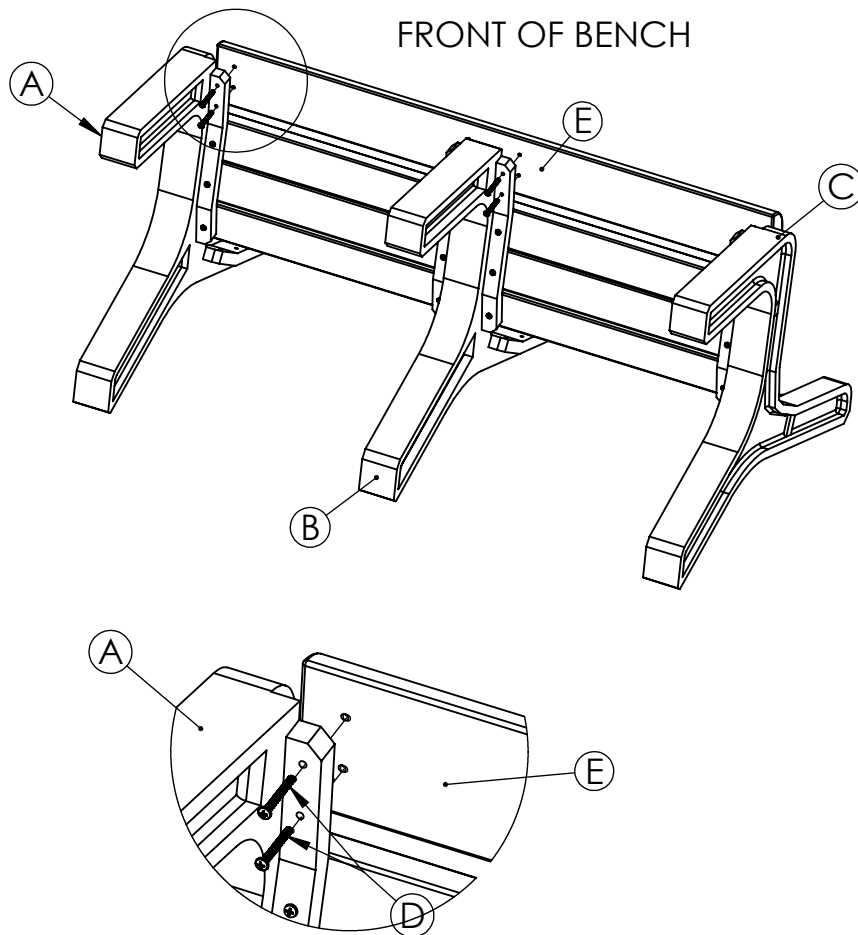
- With the bench still on its back, lay the Center Bench End (B) onto Plastic Seat Boards (F)
- Align the marks in the Plastic Seat Board (F) with the predrilled holes in the Center Bench End (B)
- Secure the three Plastic Seat Boards (F) with the #12 x 2 screws (D) to the Center Bench End (B)



BENCH INSTRUCTIONS

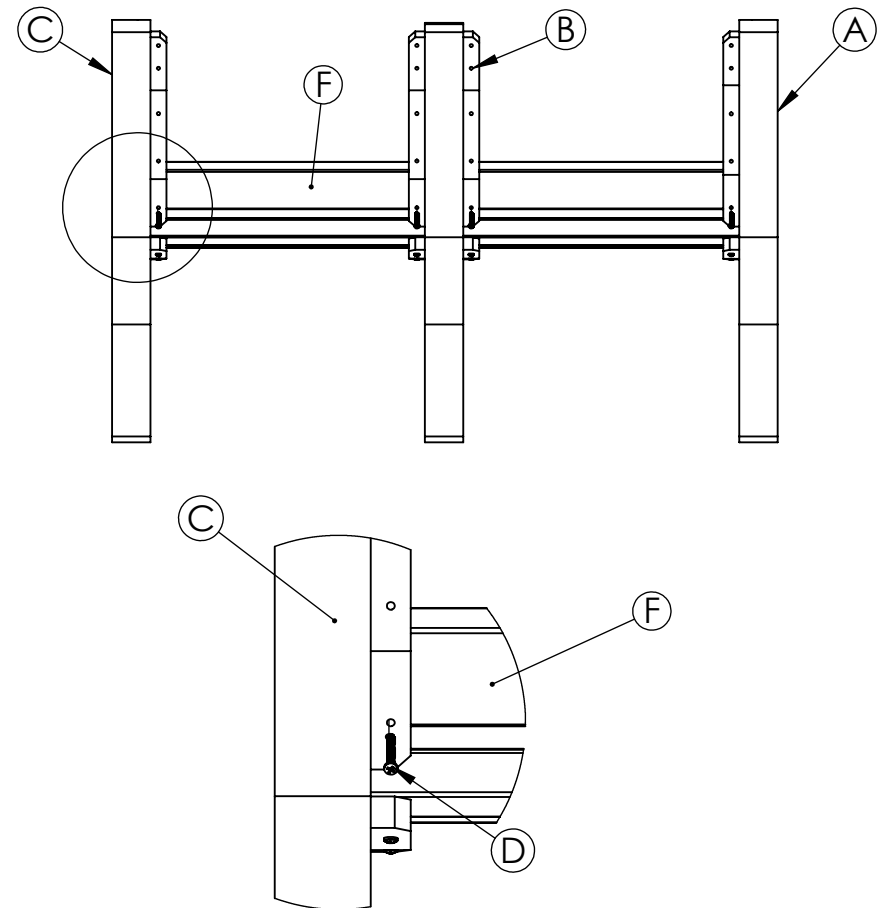
STEP 3 Seat Assembly

- With the bench still on its back, lay the Front/Top Plastic Seat Board (E) onto the Bench Ends (A,B,C)
- Align the marks in the Plastic Seat Board (E) with the predrilled holes in the Bench Ends (A,B,C)
- Secure the three Plastic Seat Boards (F) with the #12 x 2 screws (D) to the Bench Ends (A,B,C)



STEP 4 Back Assembly

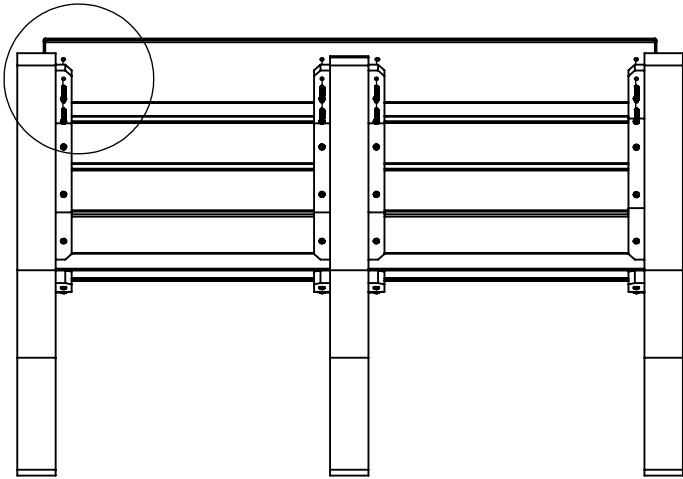
- Turn bench upright
- Lay a Plastic Seat Board (F) over the bench ends (A,B,C) closest to the seat
- Align the marks in the Plastic Seat Board (F) with the predrilled holes in the Bench Ends (A,B,C)
- Secure the Plastic Seat Board (F) with the #12 x 2 screws (D)
- Repeat for 2 more Plastic Seat Boards (F) starting at the seat and working toward the top



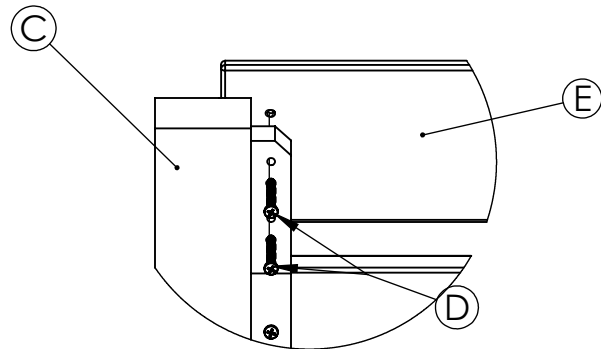
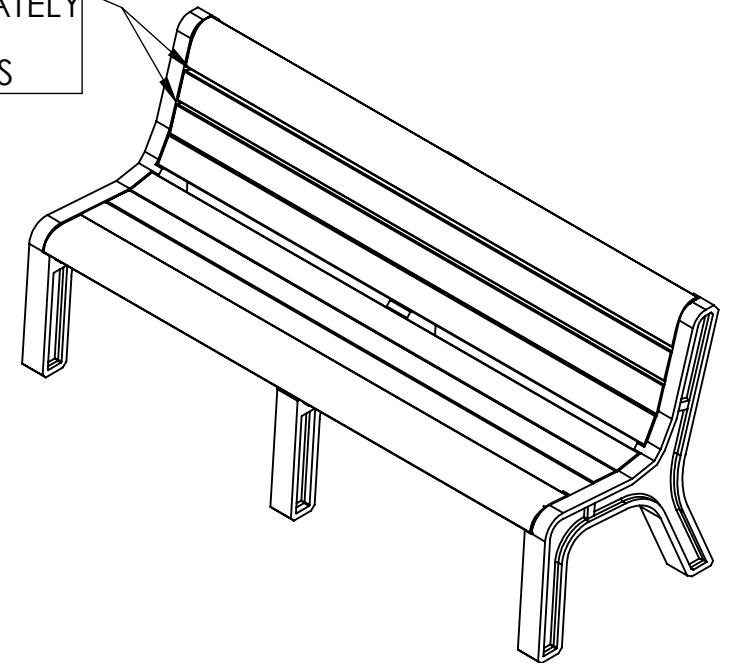
BENCH INSTRUCTIONS

STEP 5 Back Assembly

- Lay a Front/Top Plastic Seat Board (E) over the bench ends (A,B,C) at the top of the bench
- Align the marks in the Front/Top Plastic Seat Board (F) with the predrilled holes in the Bench Ends (A,B,C)
- Secure the Front/Top Plastic Seat Board (F) with the #12 x 2 screws (D)



NOTE: THERE IS APPROXIMATELY A 0.5" GAP BETWEEN THE TOP THREE BOARDS

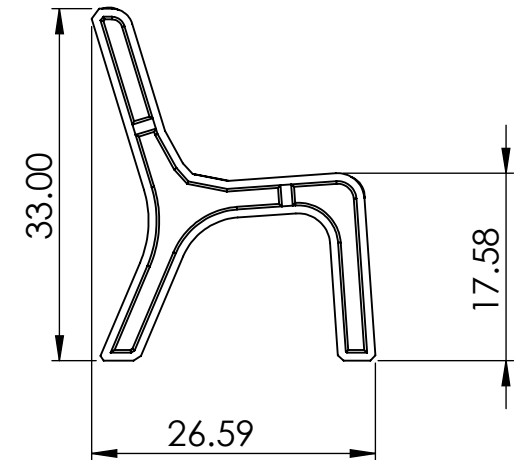
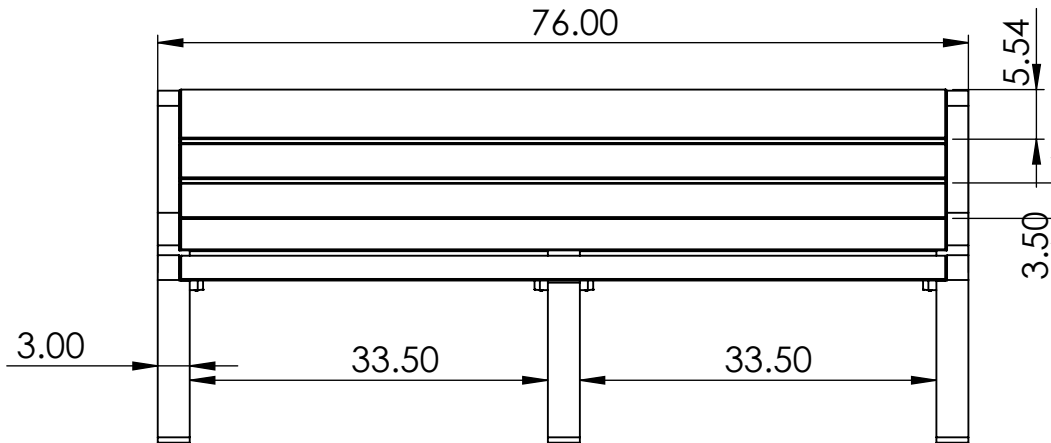
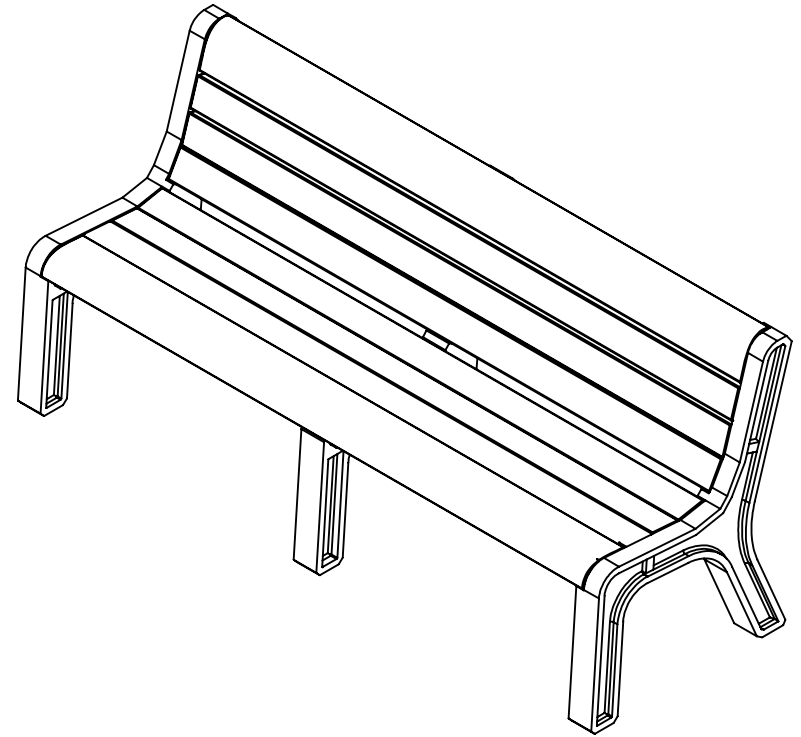
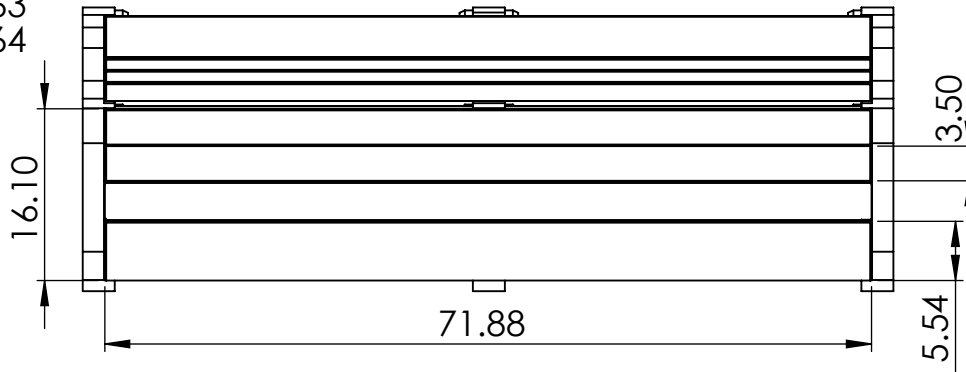


BENCH SPECIFICATIONS

REV# 2
3/14/2018

BC2060
BC2061
BC2062
BC2063
BC2064

TOP



FRONT

SIDE

CONSTRUCTION MATERIALS:
Recycled Plastic
HARDWARE:
Stainless Steel

ALL DIMENSIONS ARE SHOWN IN INCHES