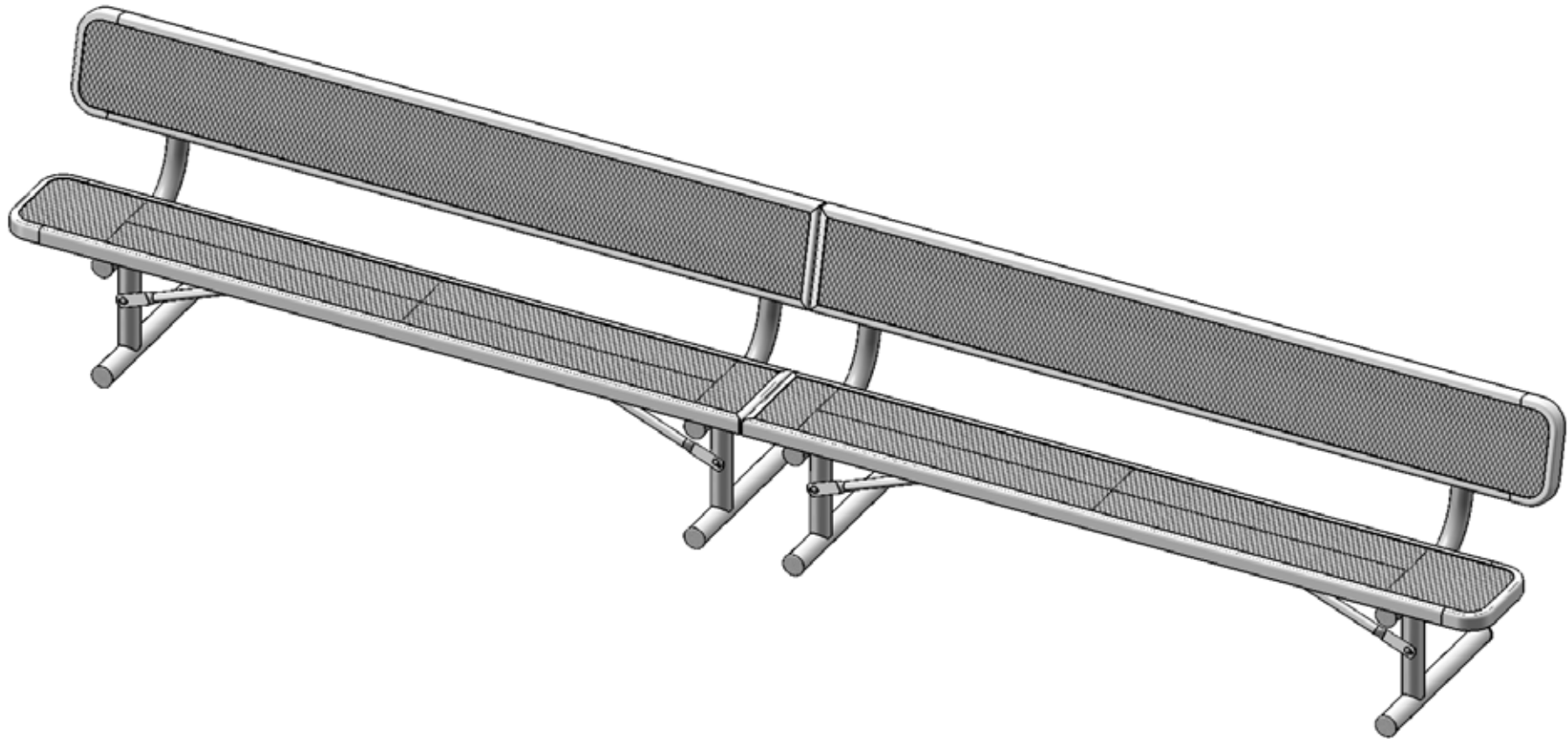
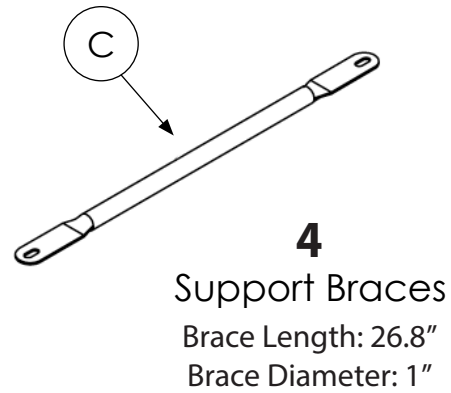
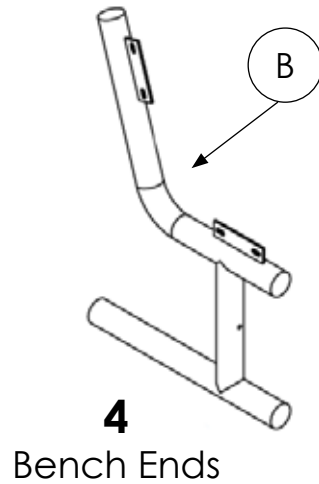
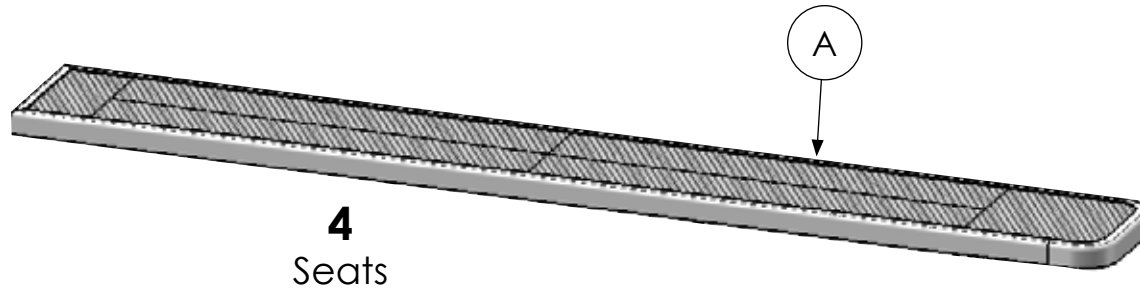


INSTRUCTIONS

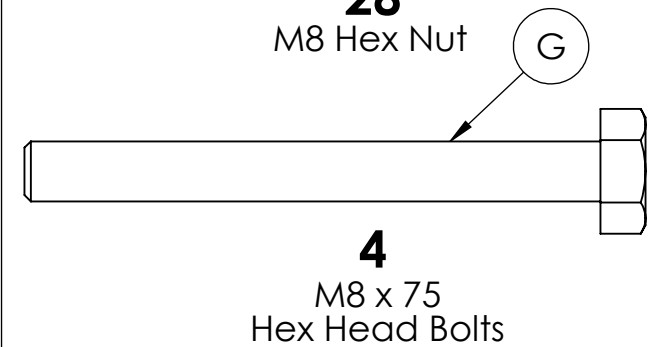
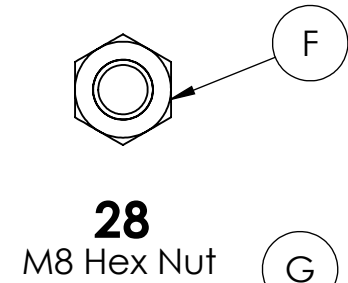
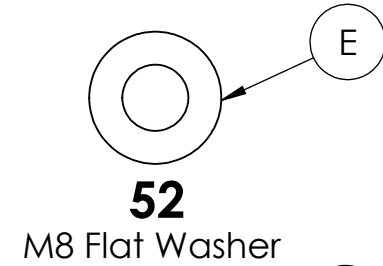
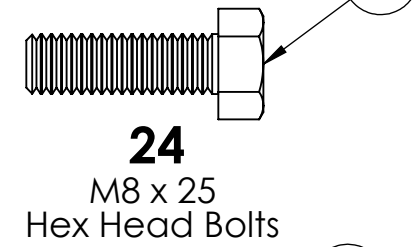
15 FT Portable Benches



INSTRUCTIONS



HARDWARE



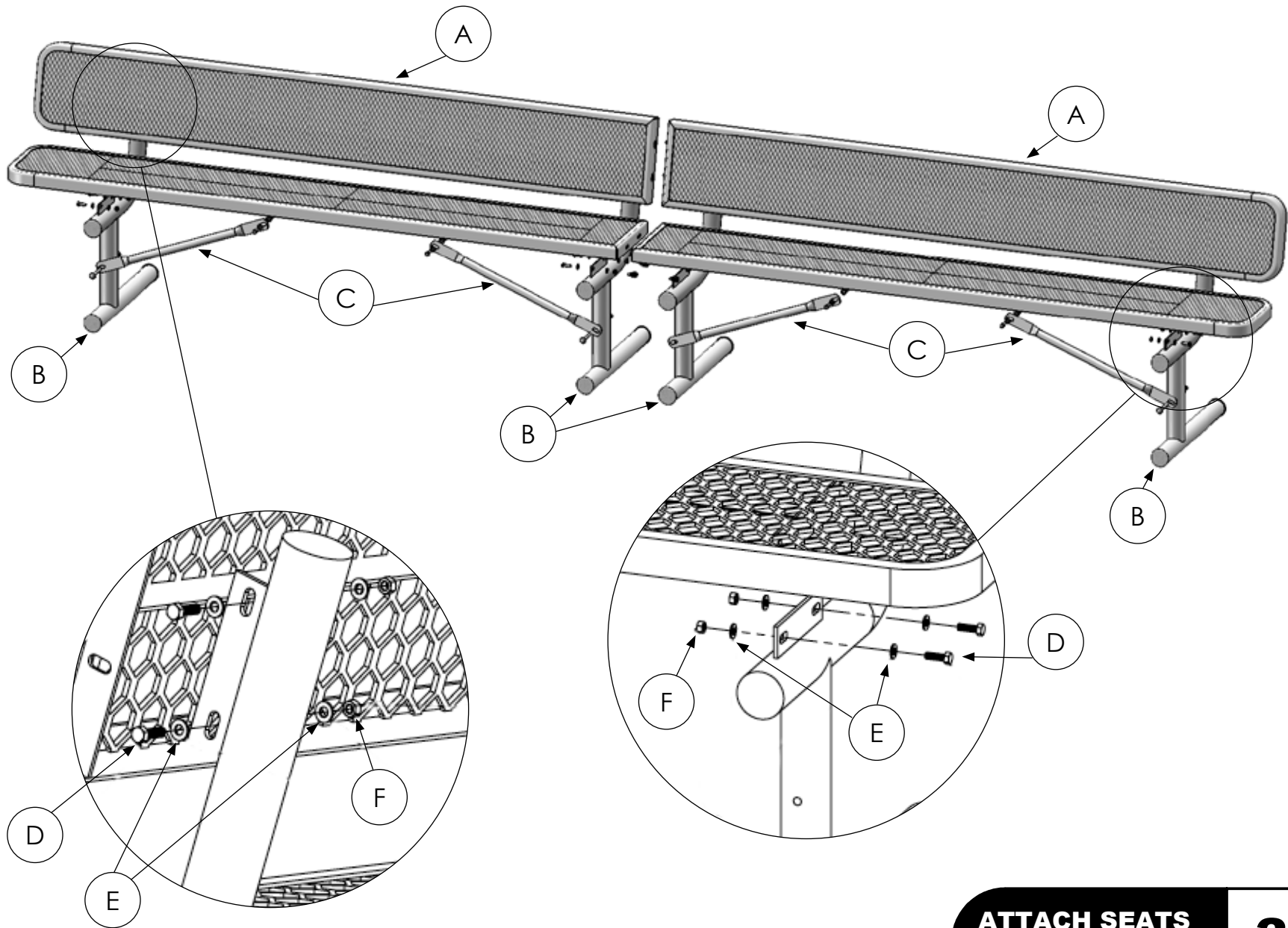
**REQUIRED TOOLS
(NOT INCLUDED)**
1 - 13MM WRENCH
1 - 13MM SOCKET

NOTE: IT IS IMPORTANT TO KEEP ALL BOLTS FINGER TIGHT DURING ASSEMBLY UNTIL ENTIRE UNIT IS ASSEMBLED

**HARDWARE &
TOOLS REQUIRED
FOR ASSEMBLY**

2/4

INSTRUCTIONS

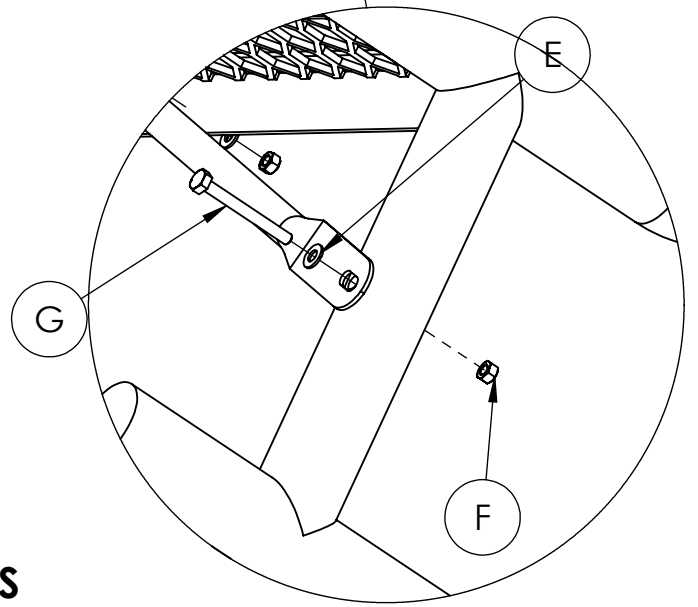
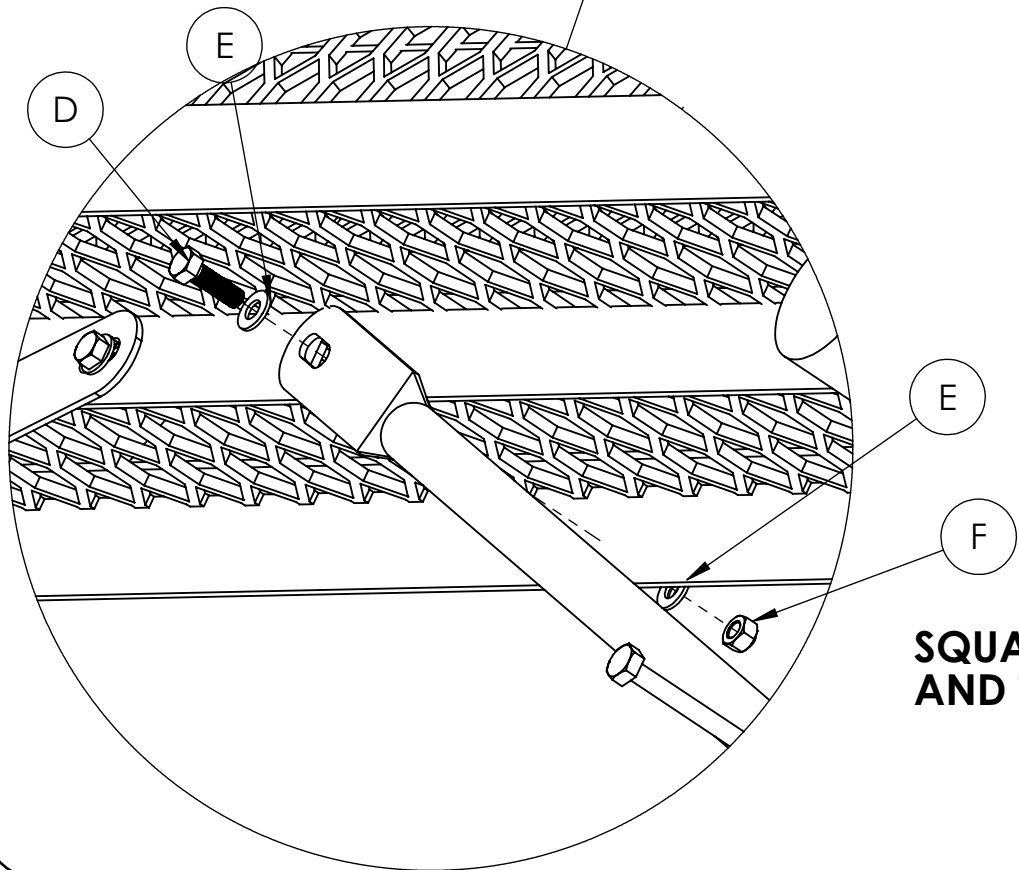
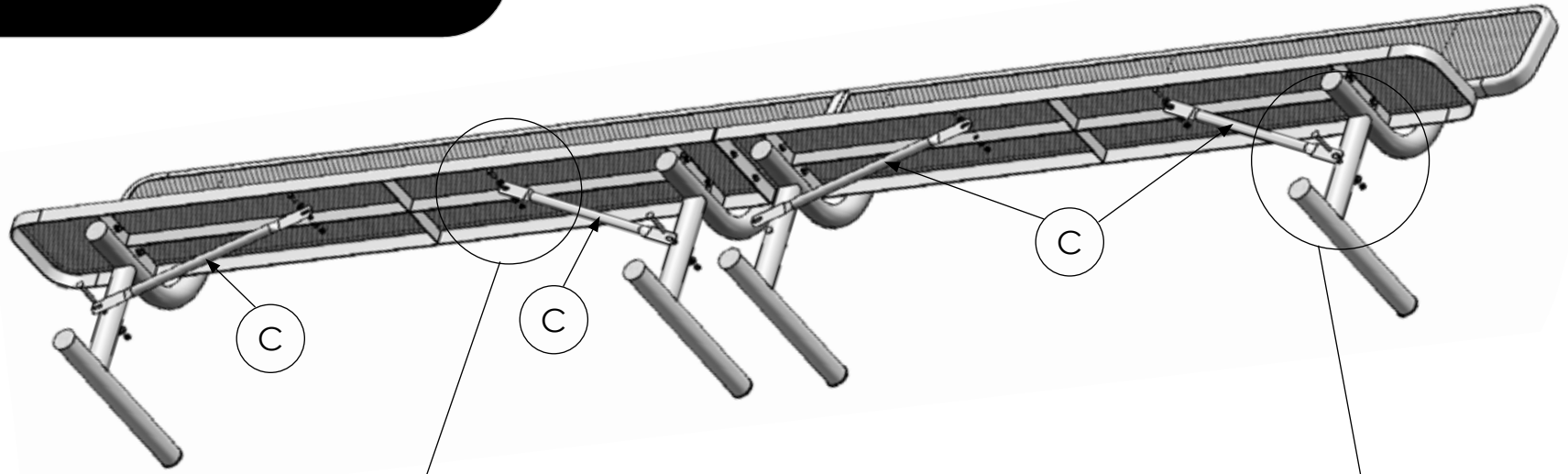


**ATTACH SEATS
TO BENCH ENDS**

3/4

INSTRUCTIONS

STEP 3



**SQUARE ALL PARTS
AND TIGHTEN ALL HARDWARE**

**ATTACH
ANGLED
SUPPORTS**

4/4