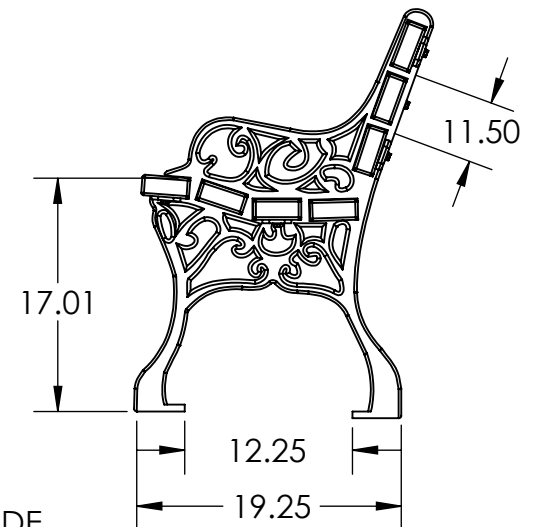
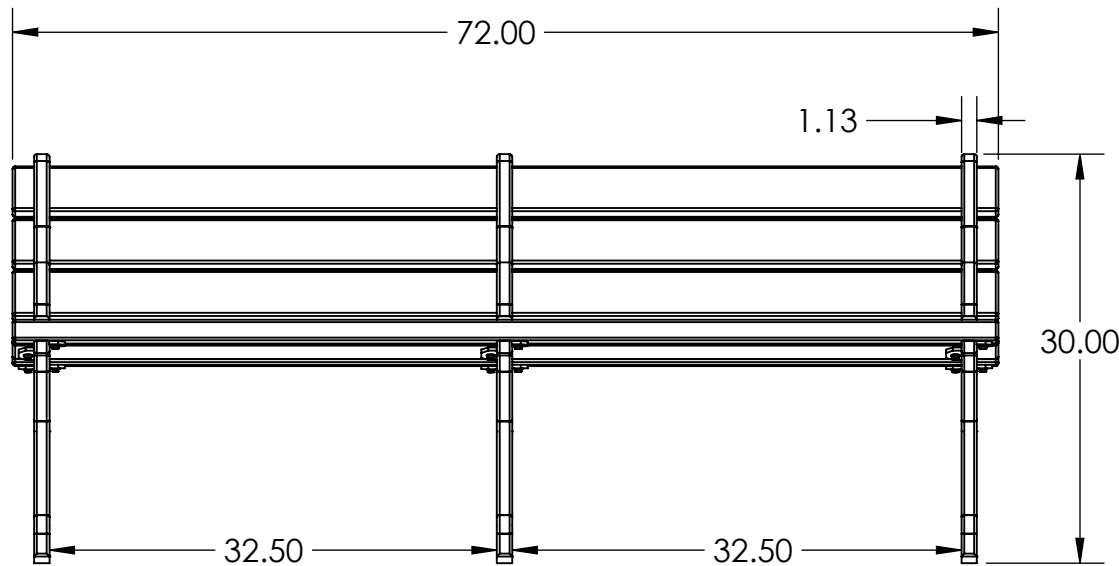
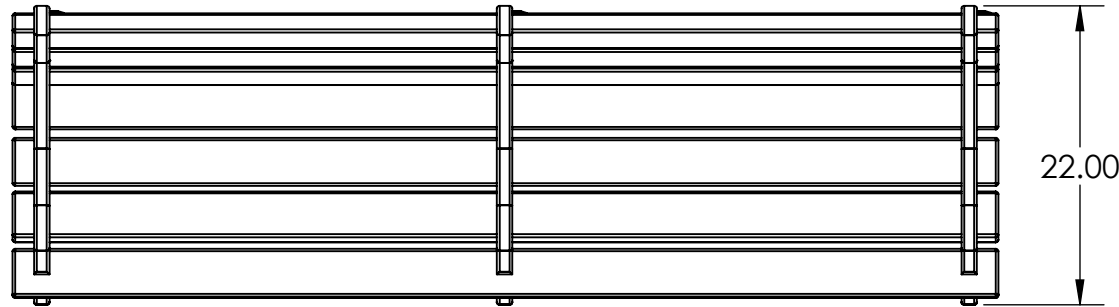
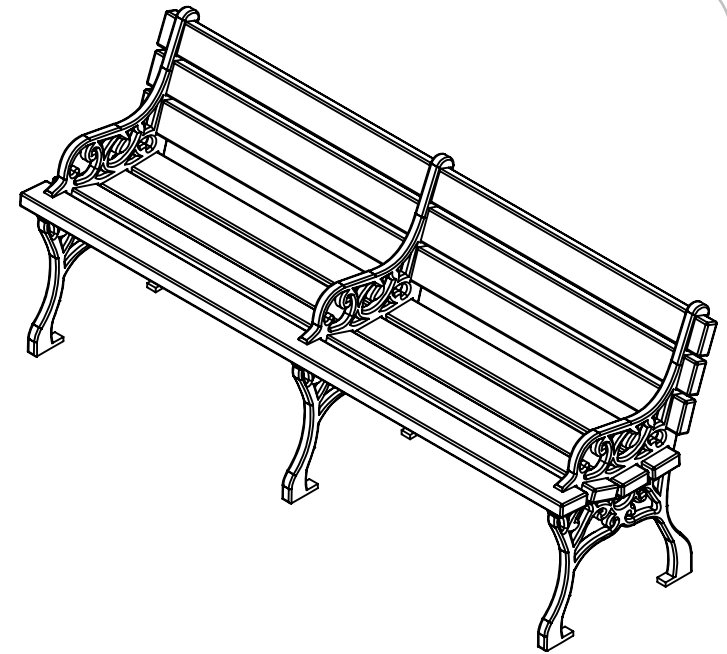


6ft Bench Specifications BC1190

REV# 3
1/12/2018



CONSTRUCTION MATERIALS:
Recycled Plastic, Cast Aluminum
HARDWARE:
Stainless Steel

BENCH SLATS ARE 1.5 INCHES THICK BY 3.5 INCHES WIDE

ALL DIMENSIONS SHOWN IN INCHES