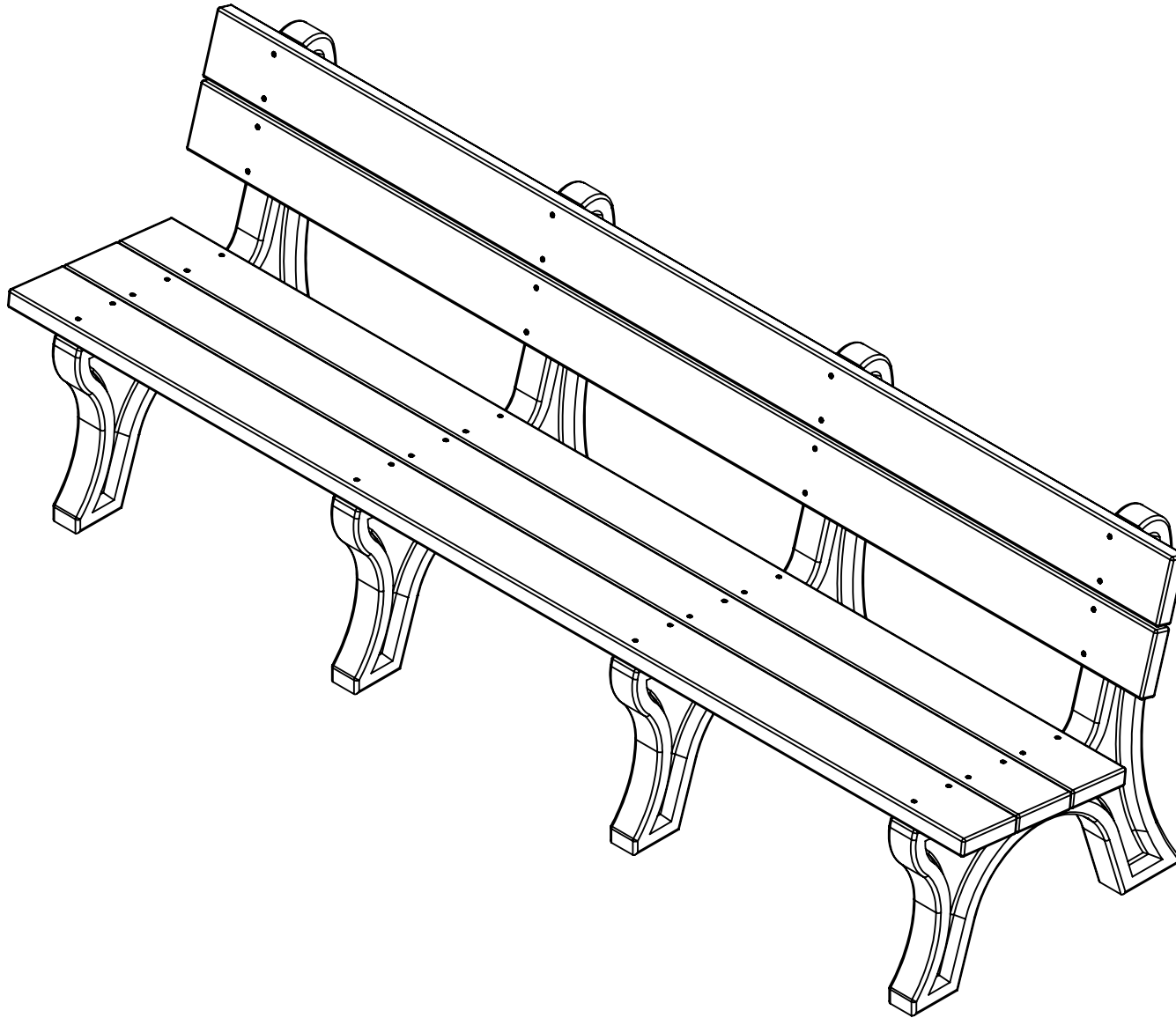


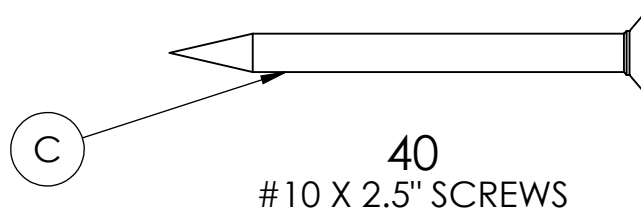
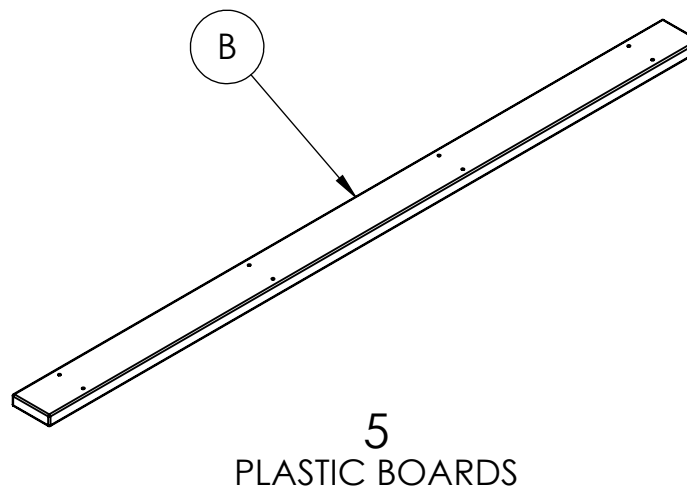
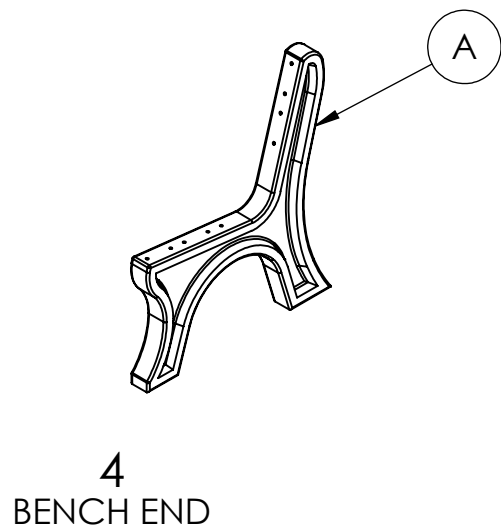
# BENCH INSTRUCTIONS

BC1475  
BC1495  
BC1500  
BC1515  
BC1520

REV# 1



# BENCH INSTRUCTIONS



**REQUIRED TOOLS  
(NOT INCLUDED)**  
- POWER DRILL

**NOTE: IT IS IMPORTANT TO KEEP ALL SCREWS LOOSE  
DURING ASSEMBLY UNTIL ENTIRE BENCH IS ASSEMBLED**

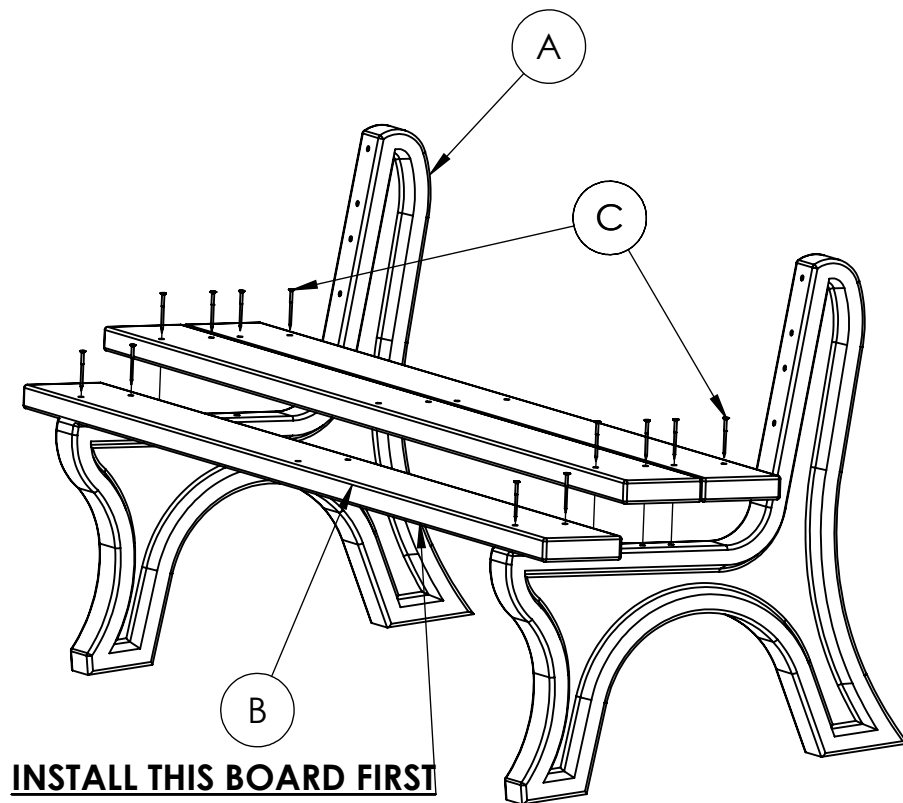
**HARDWARE &  
TOOLS REQUIRED  
FOR ASSEMBLY**

**2/5**

# BENCH INSTRUCTIONS

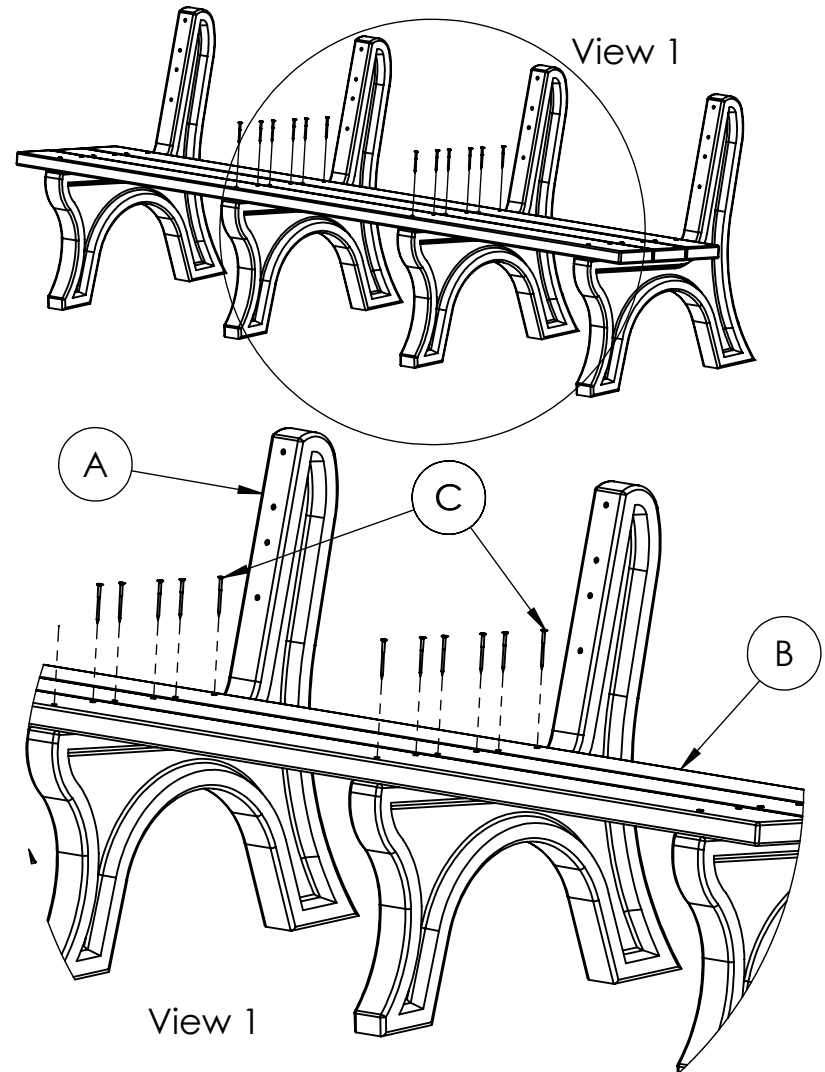
## STEP 1 Seat Assembly

- Stand two outer bench ends (A) upright
- Lay a plastic board (B) over the bench ends (A) closest to the end
- Align the holes in the plastic board with the predrilled holes in the bench ends
- Secure the board with the #10 x 2.5" screws (C)
- Repeat for each plastic board starting at the front seat board and working toward the back



## STEP 2 Seat Assembly

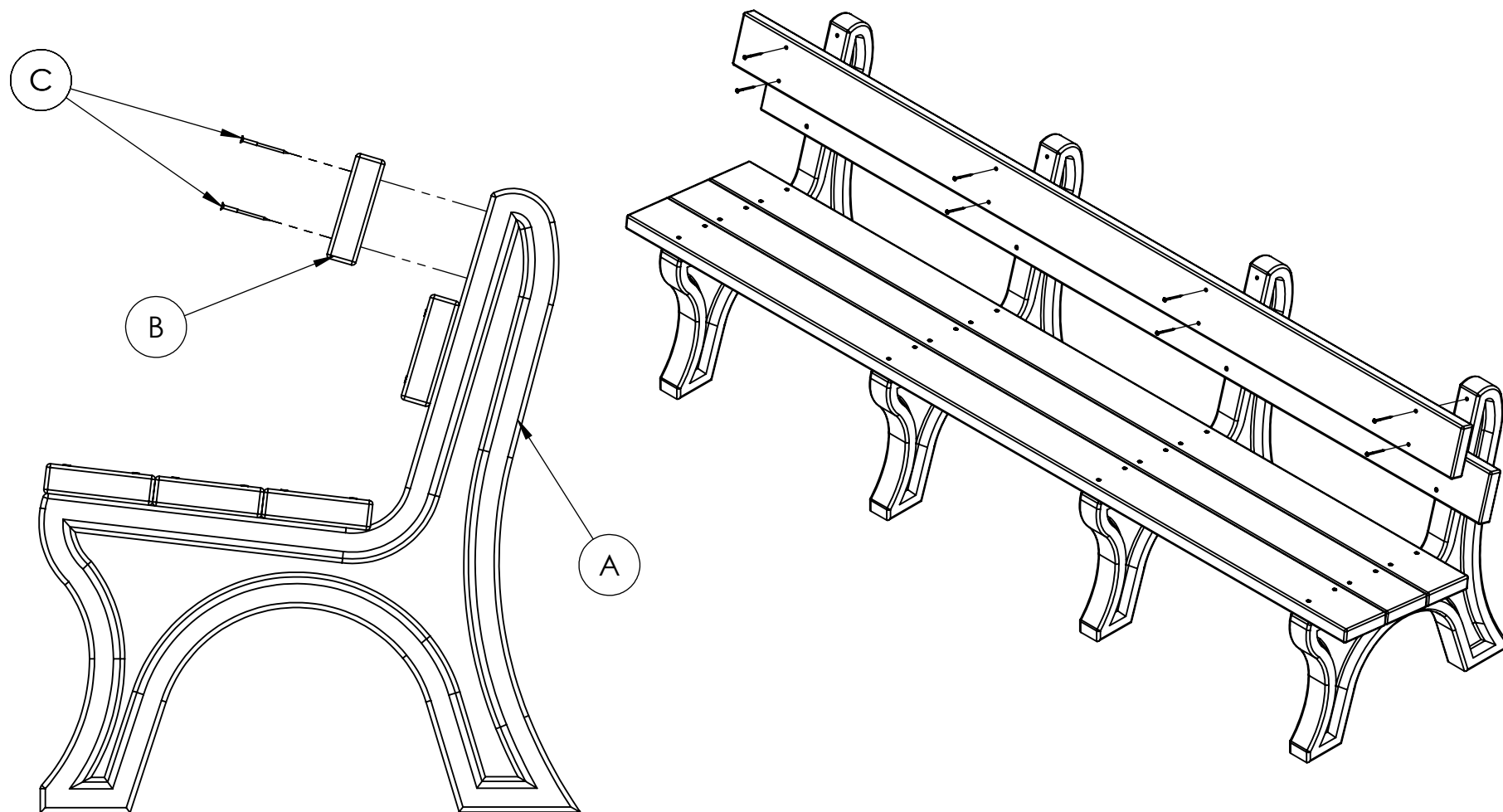
- Move the remaining bench ends (A) under the bench seat
- Align the predrilled holes in the bench ends with holes in the plastic board (B)
- Secure each plastic board to the bench ends with #10 x 2.5" screws (C)



# BENCH INSTRUCTIONS

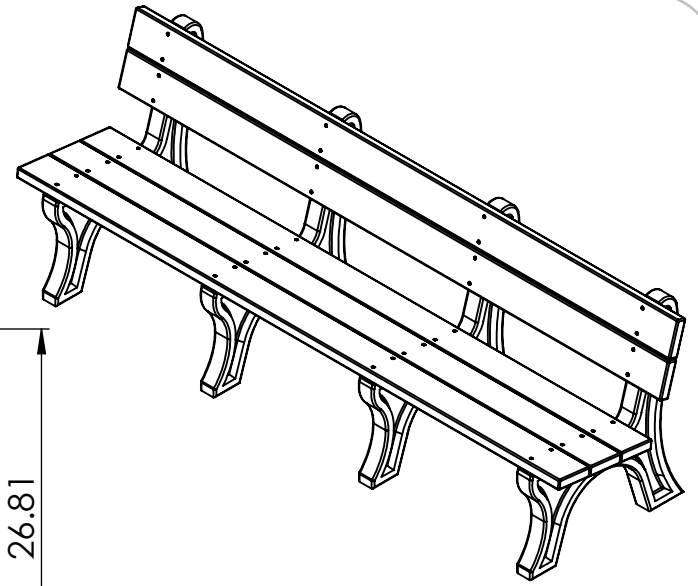
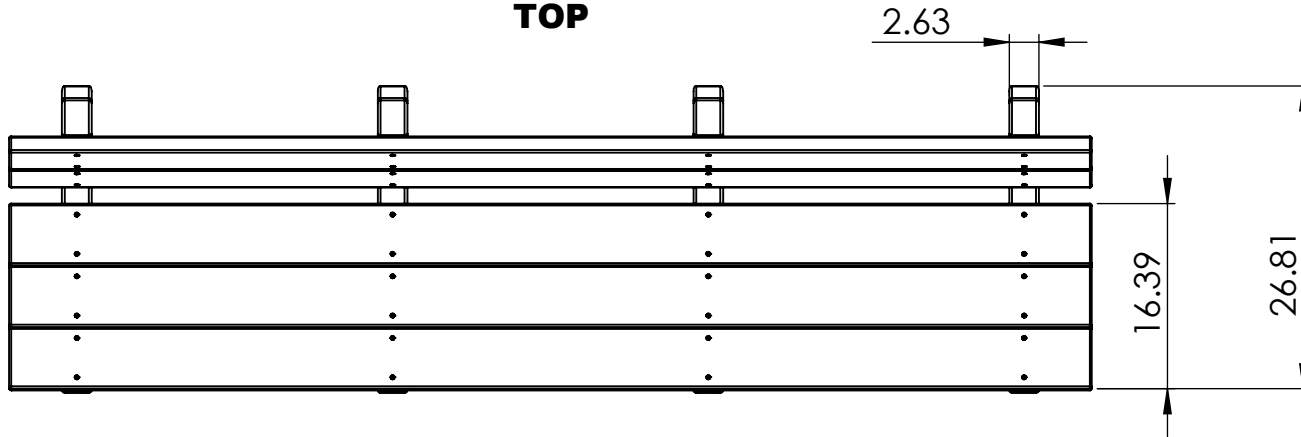
## STEP 3 Backrest Assembly

- Hold a plastic board (B) up to the back rest portion of the bench end (A)
- Align the predrilled holes in the bench end (A) with holes in the plastic board (B)
- Secure each plastic board to the bench end with #10 x 2.5" screws (C)
- Square all components and tighten all screws

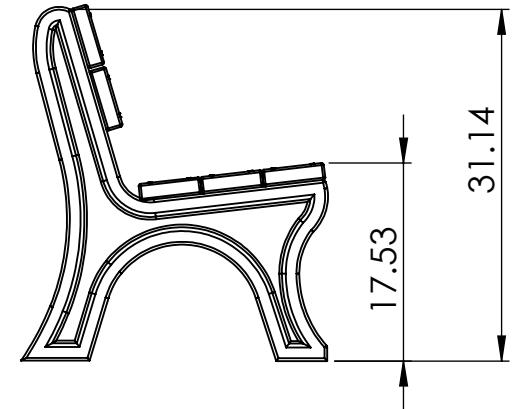
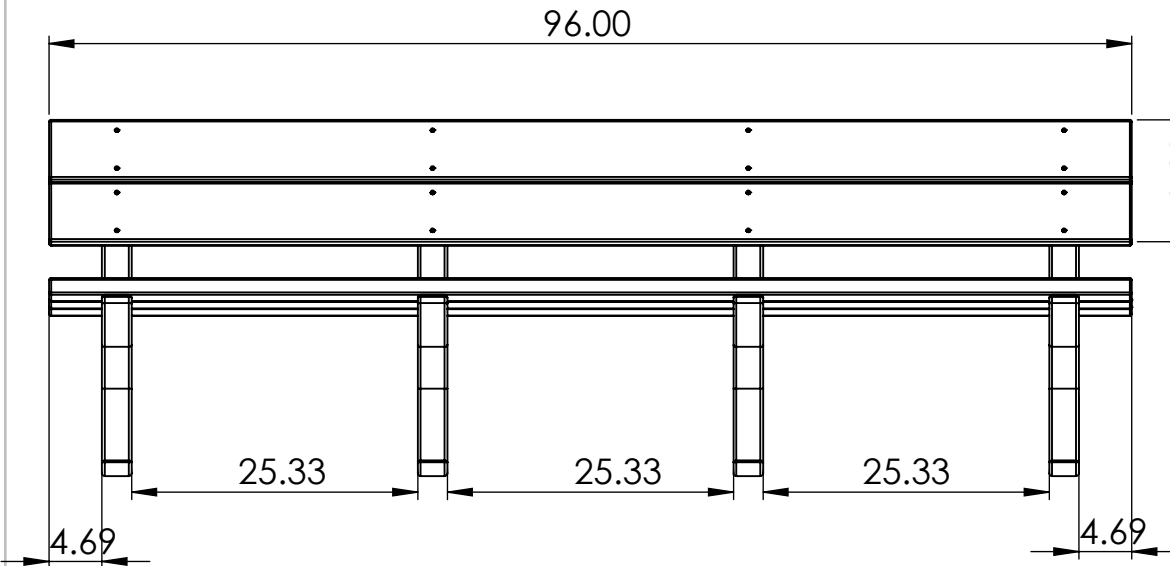


# BENCH SPECIFICATIONS

**TOP**



**FRONT**



**SIDE**

**CONSTRUCTION MATERIALS:**  
Recycled Plastic  
**HARDWARE:**  
Stainless Steel

ALL DIMENSIONS ARE SHOWN IN INCHES