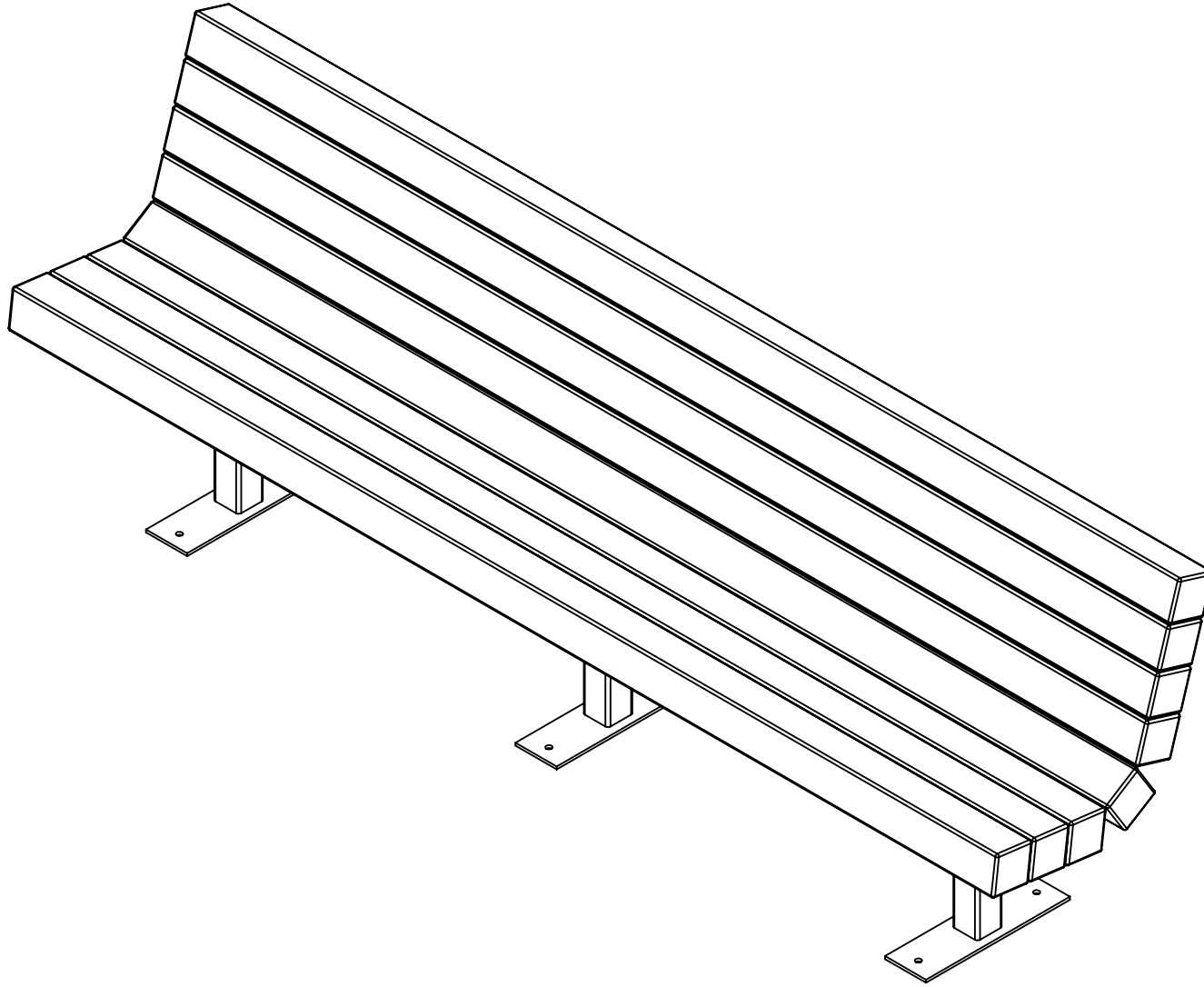


# BENCH INSTRUCTIONS

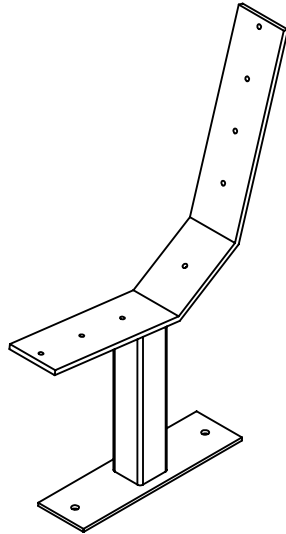
## BC1340

REV# 2 7-15-2016

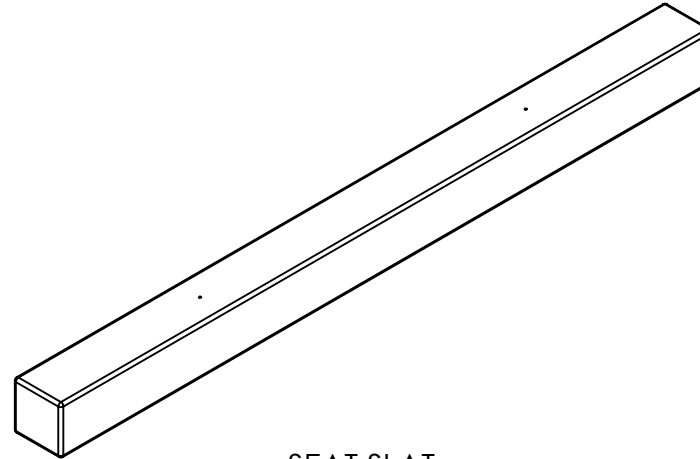


# BENCH INSTRUCTIONS

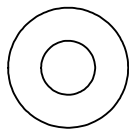
## BC1340



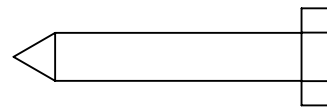
BENCH END  
ABC-SS11005  
X3



SEAT SLAT  
X8



1/4" FLAT WASHER  
X24  
F0001



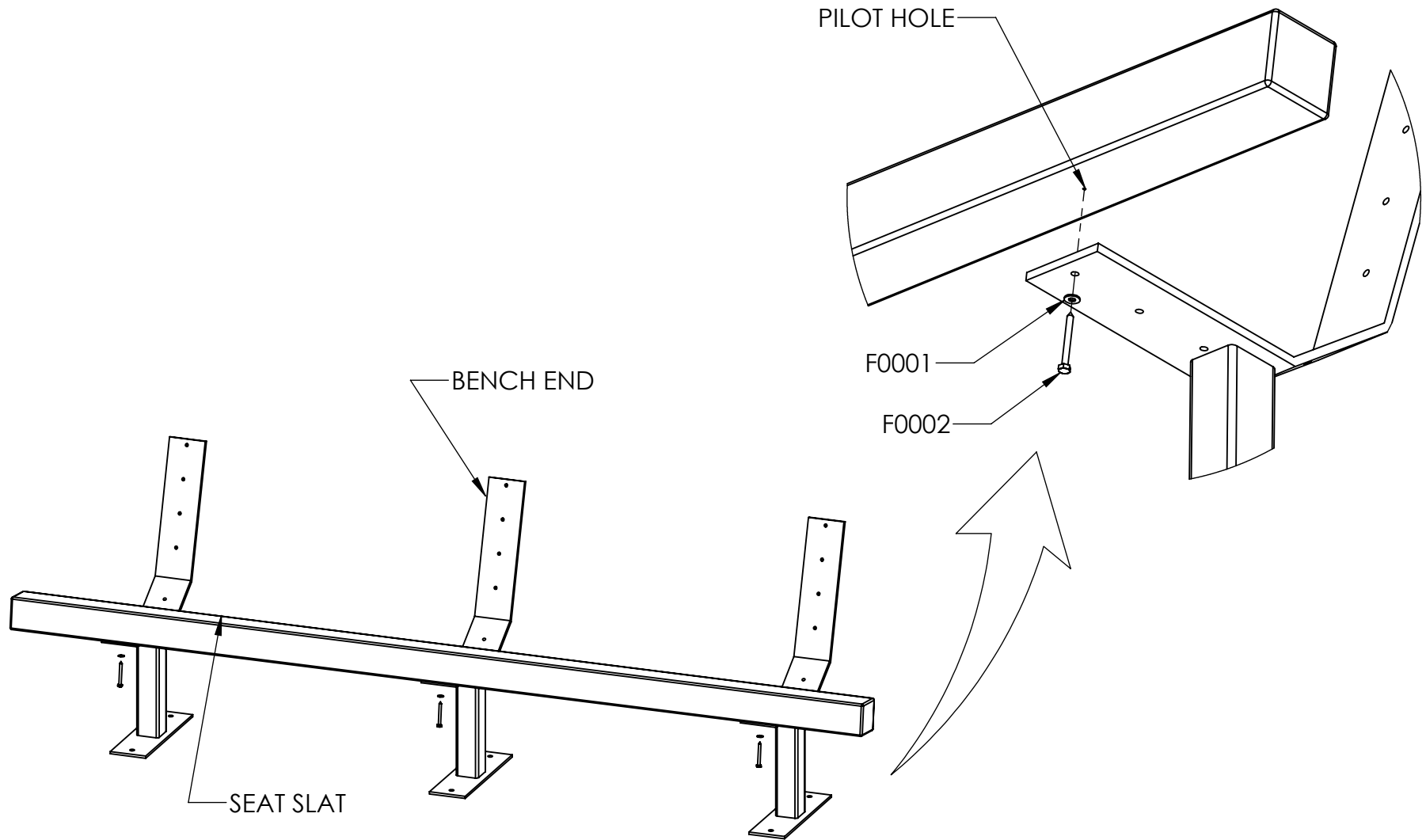
1/4" X 1.50" LAG SCREW  
X24  
F0002

**REQUIRED TOOLS:**  
**-(1) SCREW GUN**  
**-(1) 7/16" SOCKET**

**INCLUDED HARDWARE &  
REQUIRED TOOLS FOR  
ASSEMBLY**

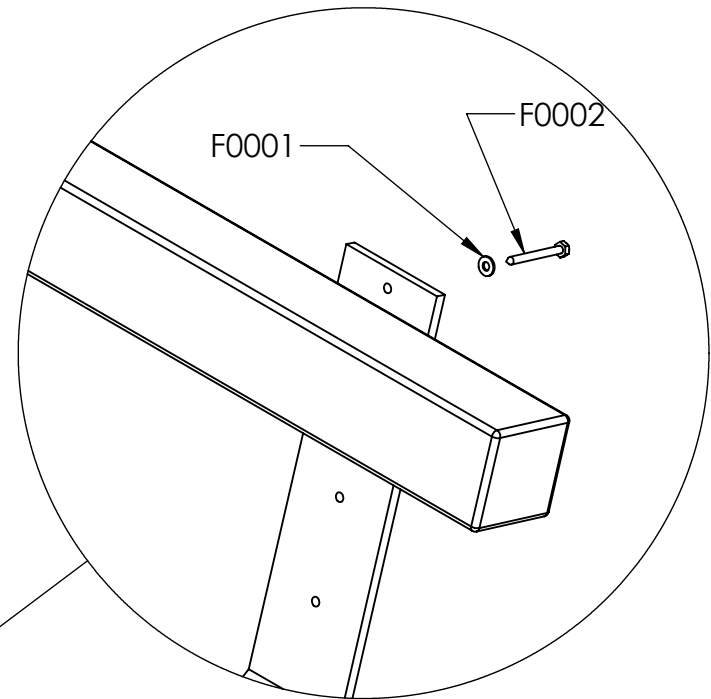
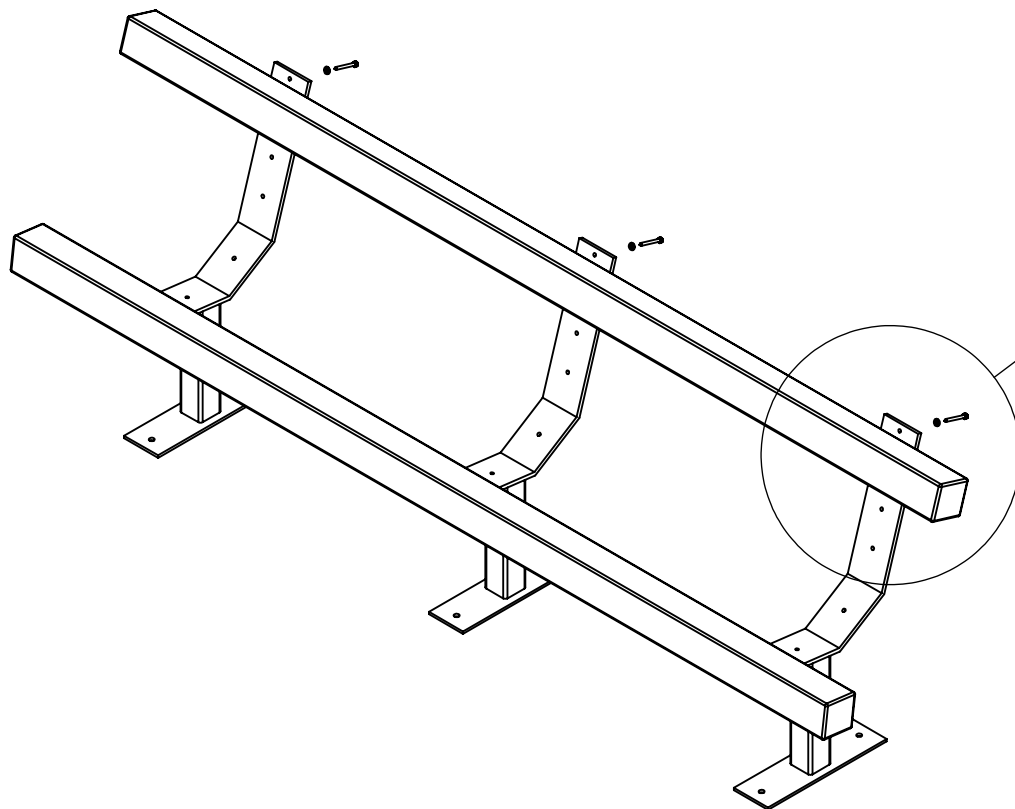
# BENCH INSTRUCTIONS

## BC1340

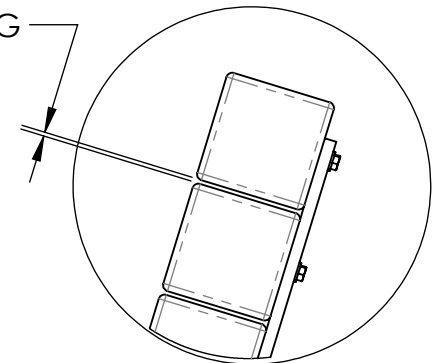


# BENCH INSTRUCTIONS

## BC1340



1/8" SPACING



SPACING DETAIL

**REPEAT STEP FOR REMAINING SEAT SLATS.**

**KEEP SPACING BETWEEN BOARDS  
APPROXIMATELY 1/8".**

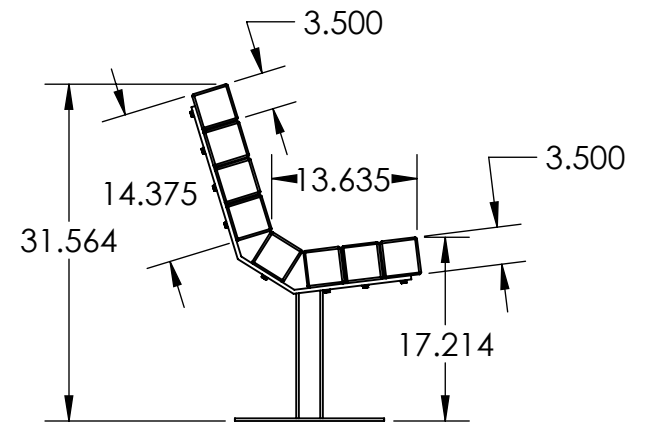
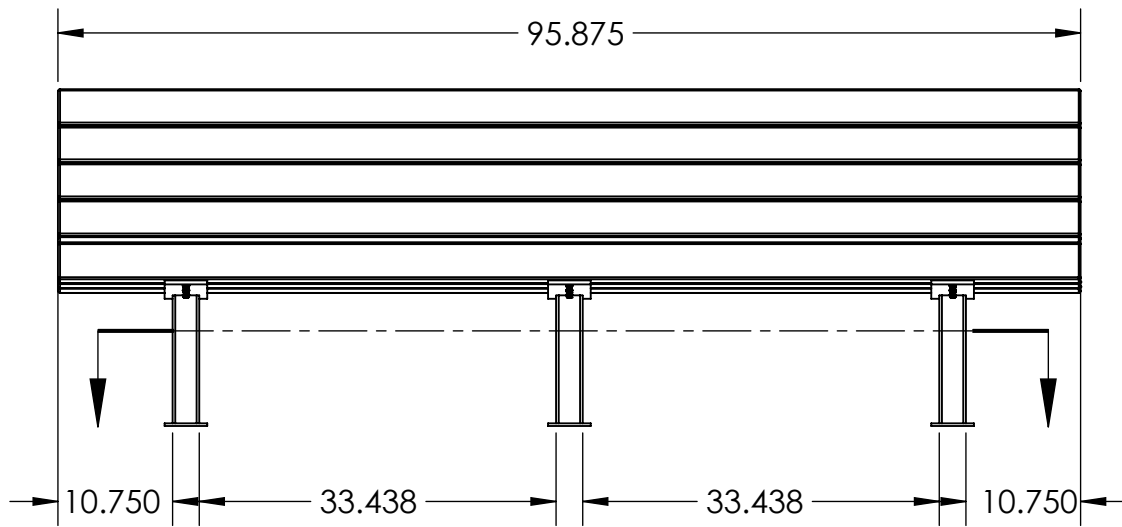
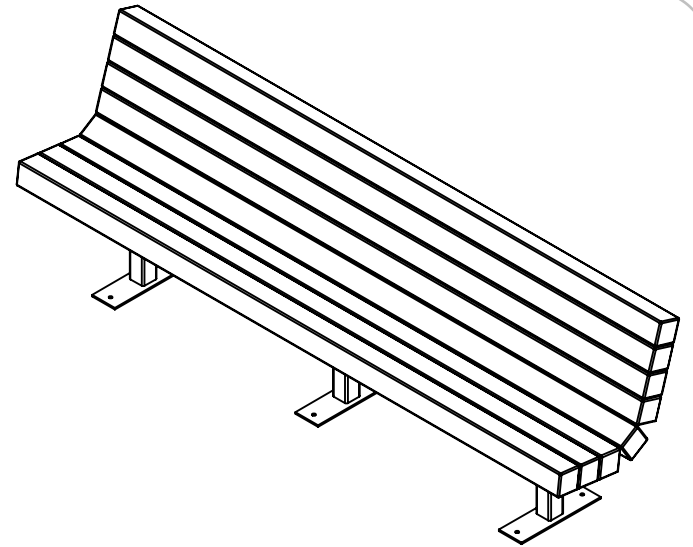
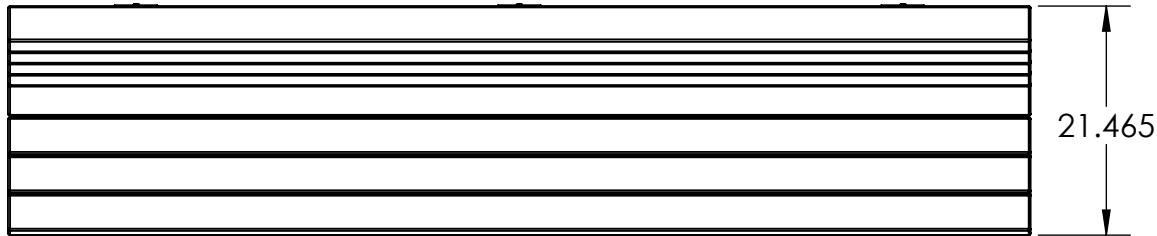
**ATTACH SEAT SLAT**

**4/5**

# BENCH SPECIFICATIONS BC1340

ALL DIMENSIONS SHOWN IN INCHES

TOP VIEW



**CONSTRUCTION MATERIALS:**  
Recycled Plastic, Powder Coated Steel  
**HARDWARE:**  
Stainless Steel

MOUNTING DETAIL

