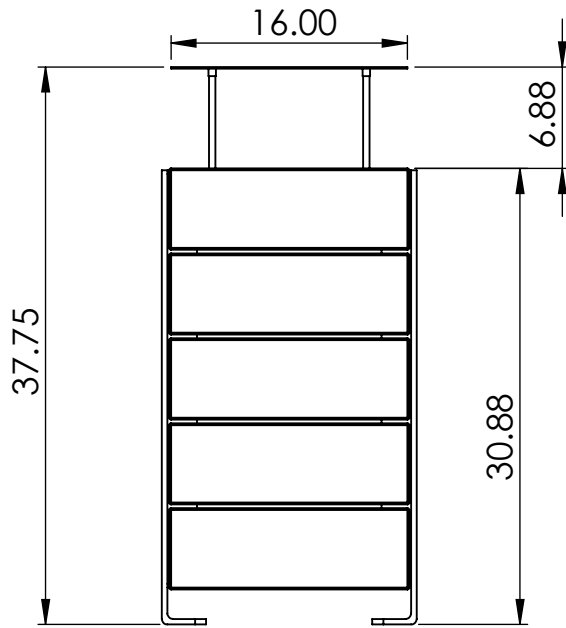
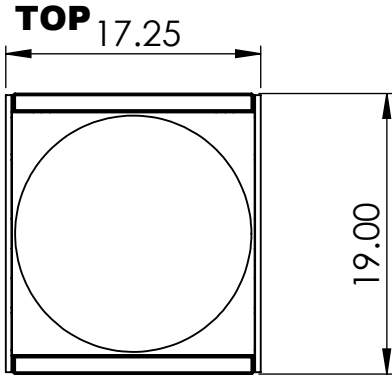


RECEPTACLE SPECIFICATIONS

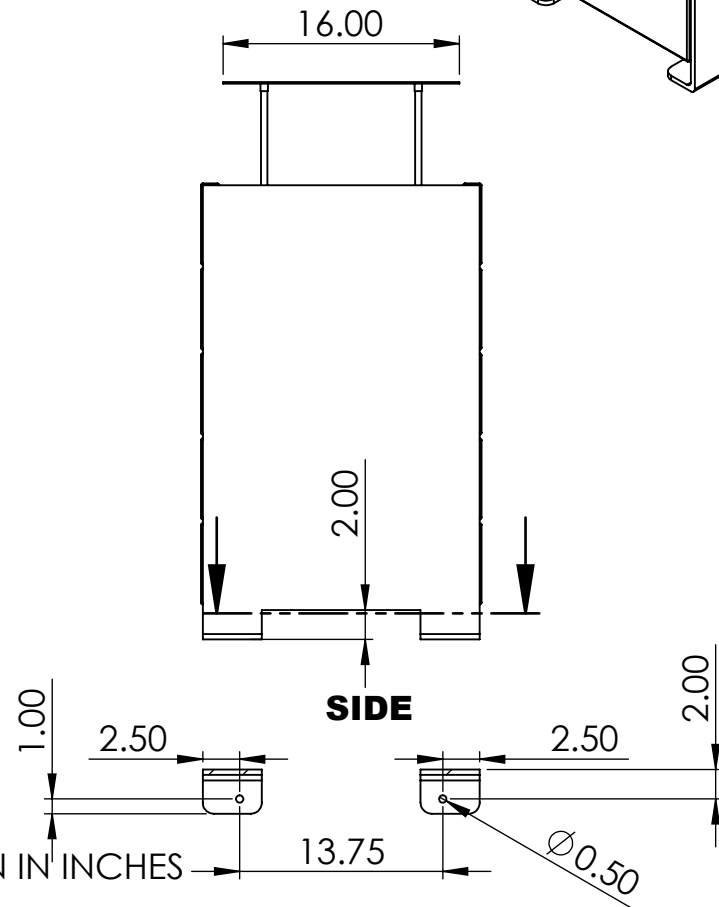
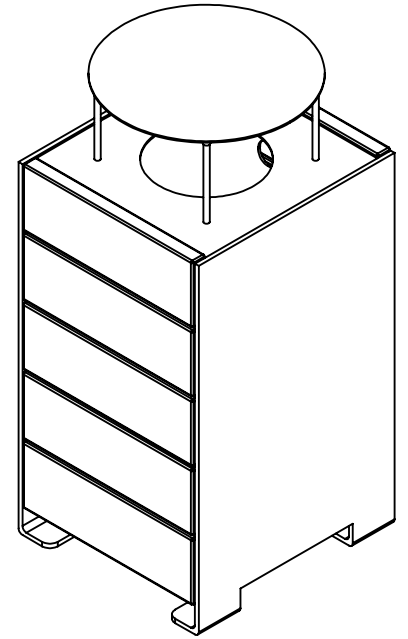
TR2940

REV# 2
4/28/2022



FRONT

CONSTRUCTION MATERIALS:
Recycled Plastic
HARDWARE:
Stainless Steel



ALL DIMENSIONS ARE SHOWN IN INCHES