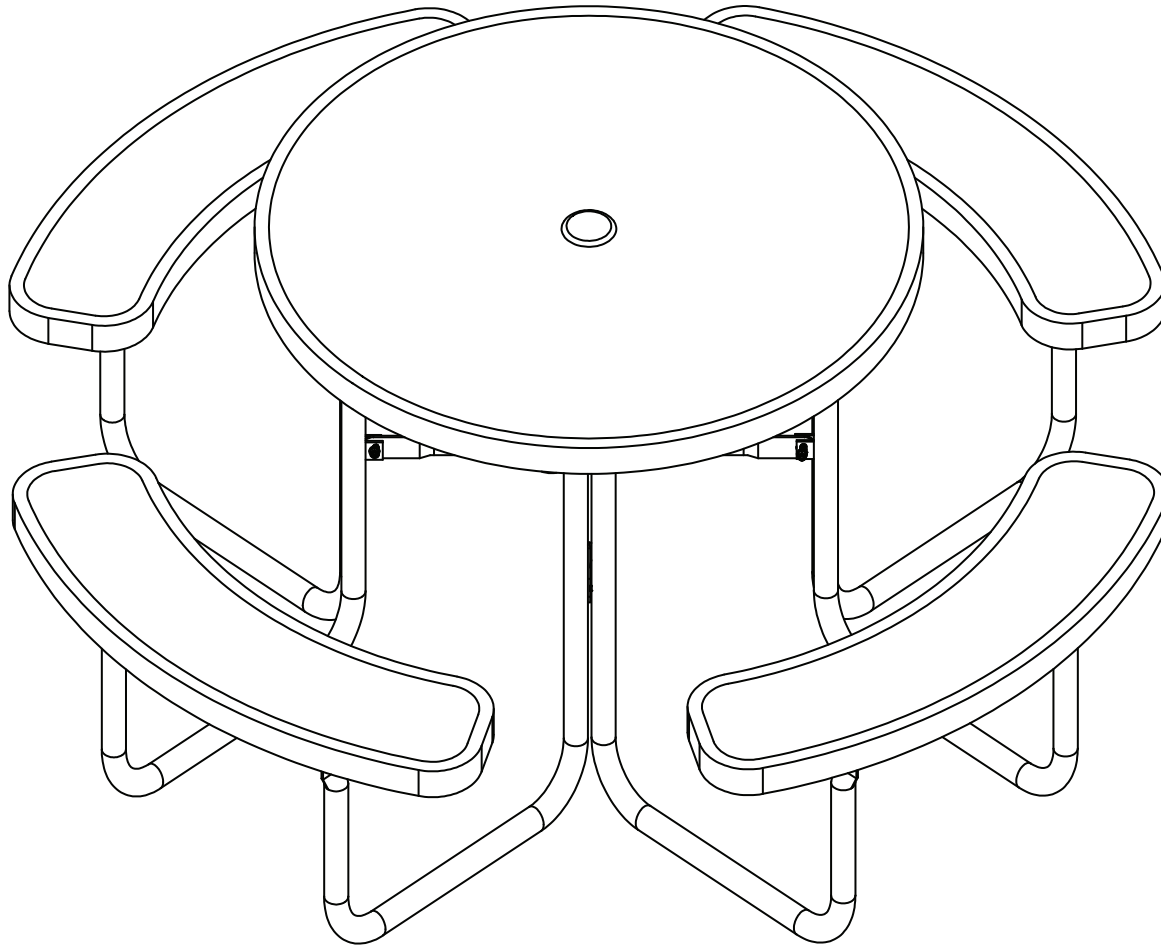


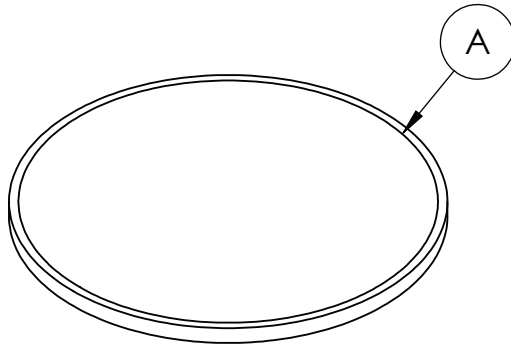
INSTRUCTIONS

Round Picnic Table

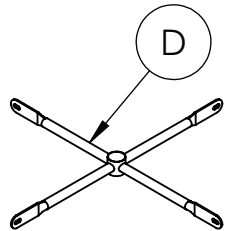


INSTRUCTIONS

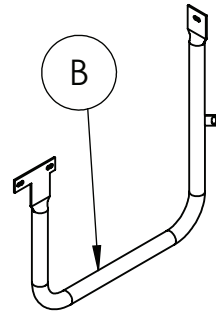
Round Picnic Tables



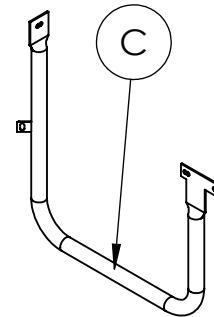
1
Table Top



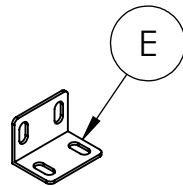
1
Center Cross Brace



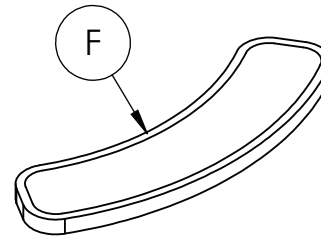
4
Left Legs



4
Right Legs



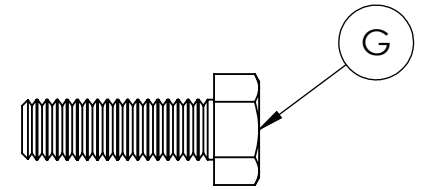
4
Corner Brackets



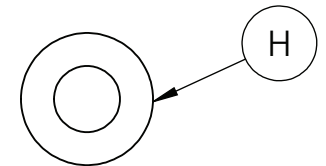
4
Seats

COMPONENTS

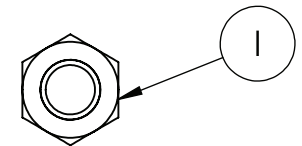
HARDWARE



36
M8 x 25
HEX HEAD BOLTS



72
M8 Flat Washer



36
M8 Hex Nut

REQUIRED TOOLS (NOT INCLUDED)

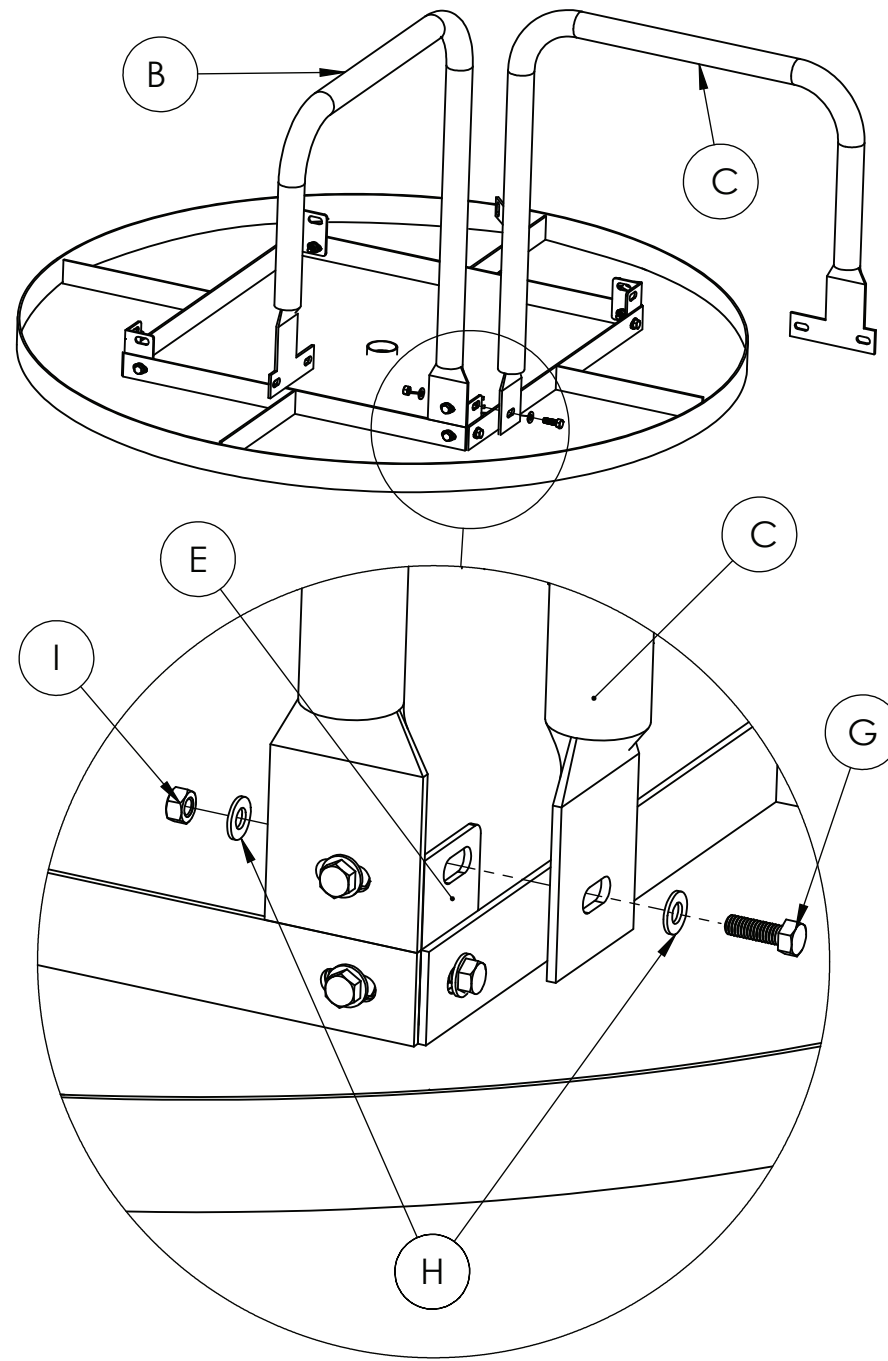
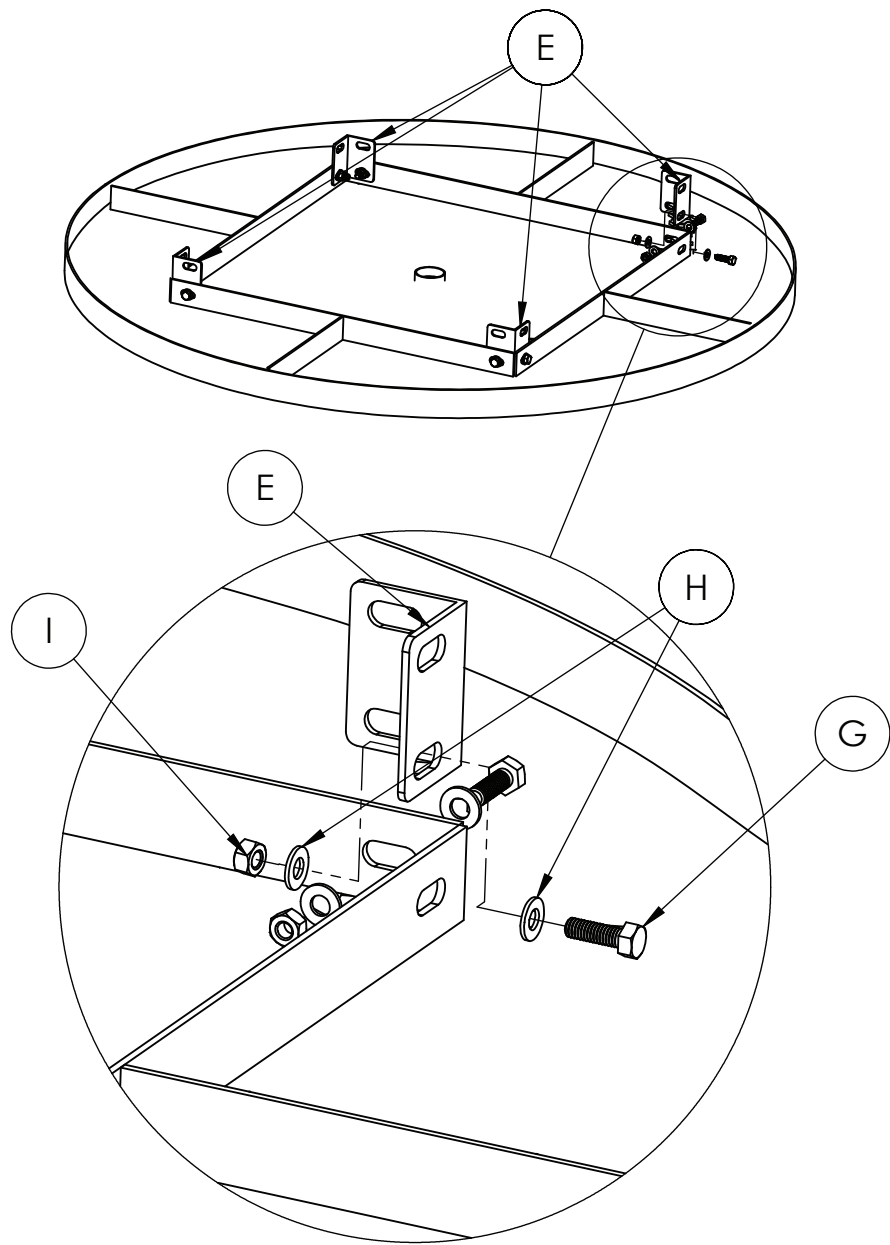
- 1 - 13 MM WRENCH
- 1 - 13 MM SOCKET

NOTE: IT IS IMPORTANT TO KEEP ALL BOLTS FINGER TIGHT DURING ASSEMBLY UNTIL ENTIRE TABLE IS ASSEMBLED

**HARDWARE &
TOOLS REQUIRED
FOR ASSEMBLY**

2/4

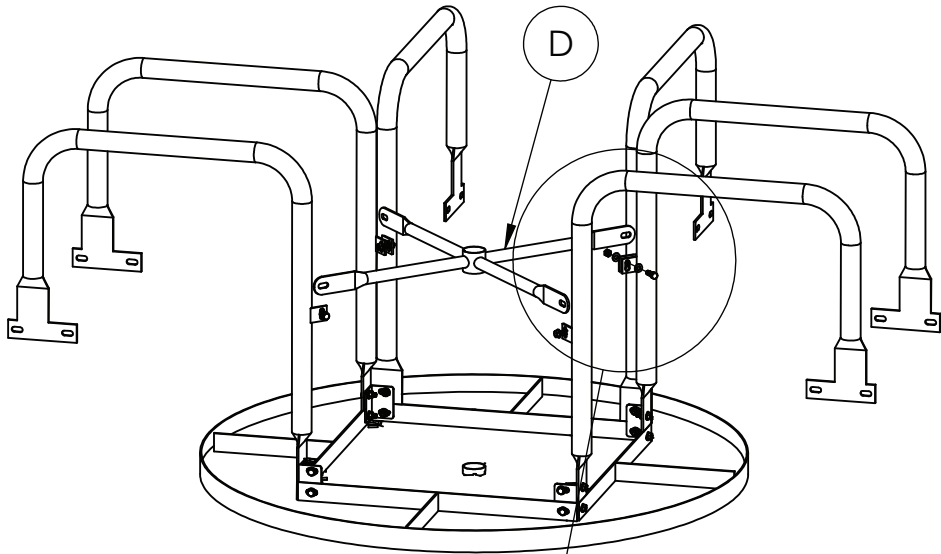
INSTRUCTIONS



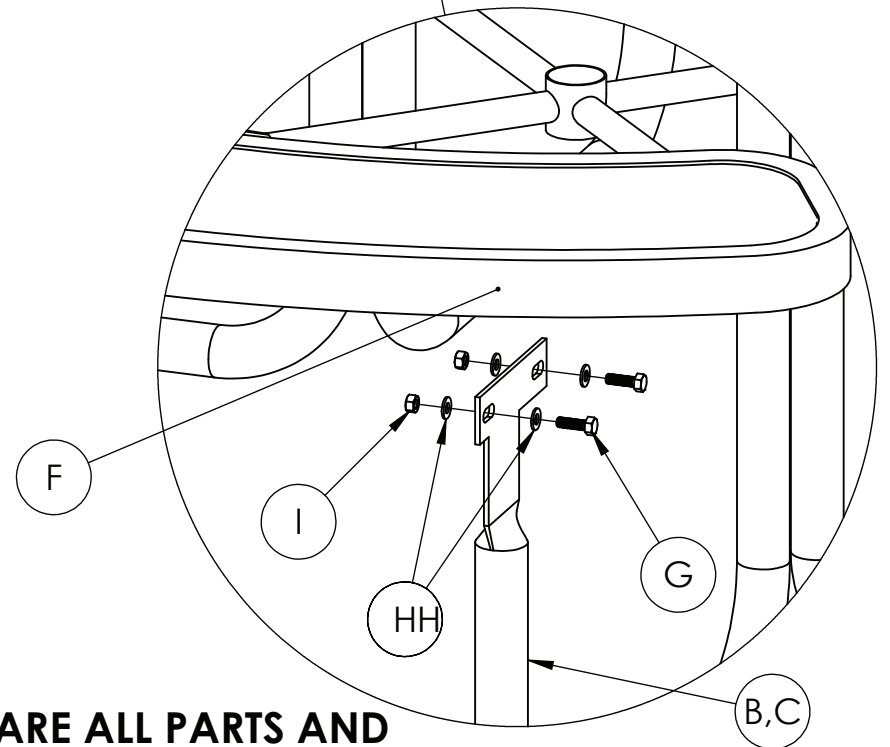
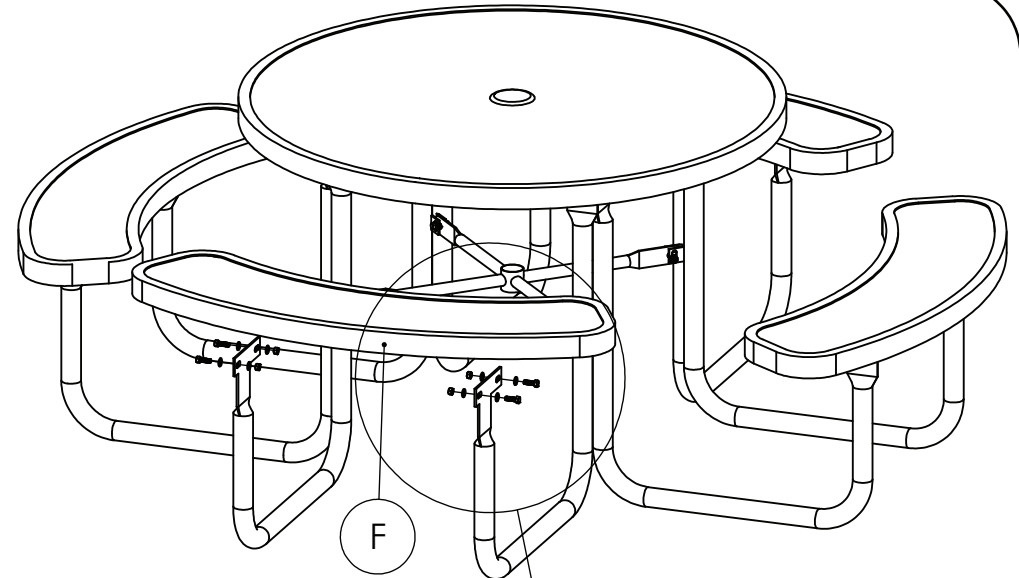
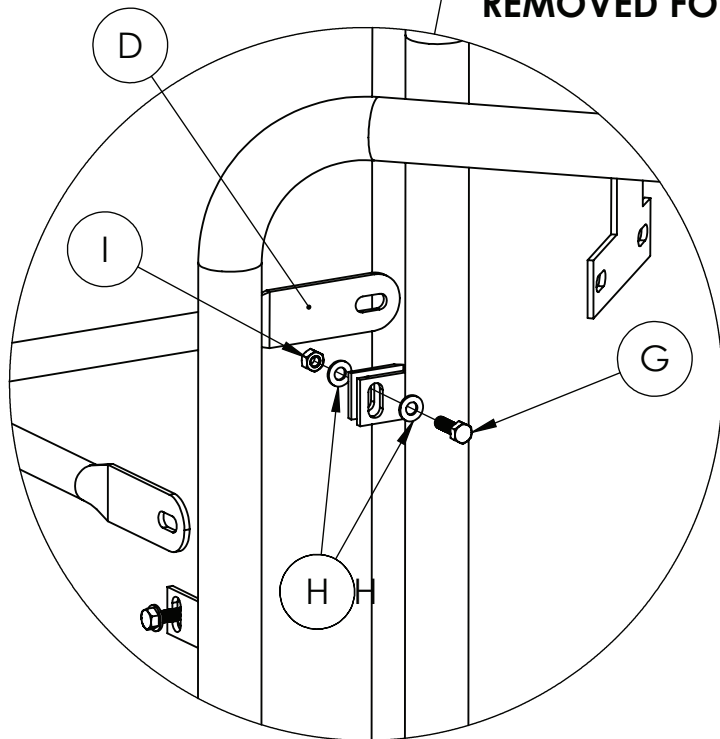
**ATTACH
TABLE LEGS**

3/4

INSTRUCTIONS



SOME COMPONENTS
REMOVED FOR DETAIL



SQUARE ALL PARTS AND
TIGHTEN ALL HARDWARE

**ATTACH
SUPPORT AND
SEATS**

4/4

SPECIFICATIONS

