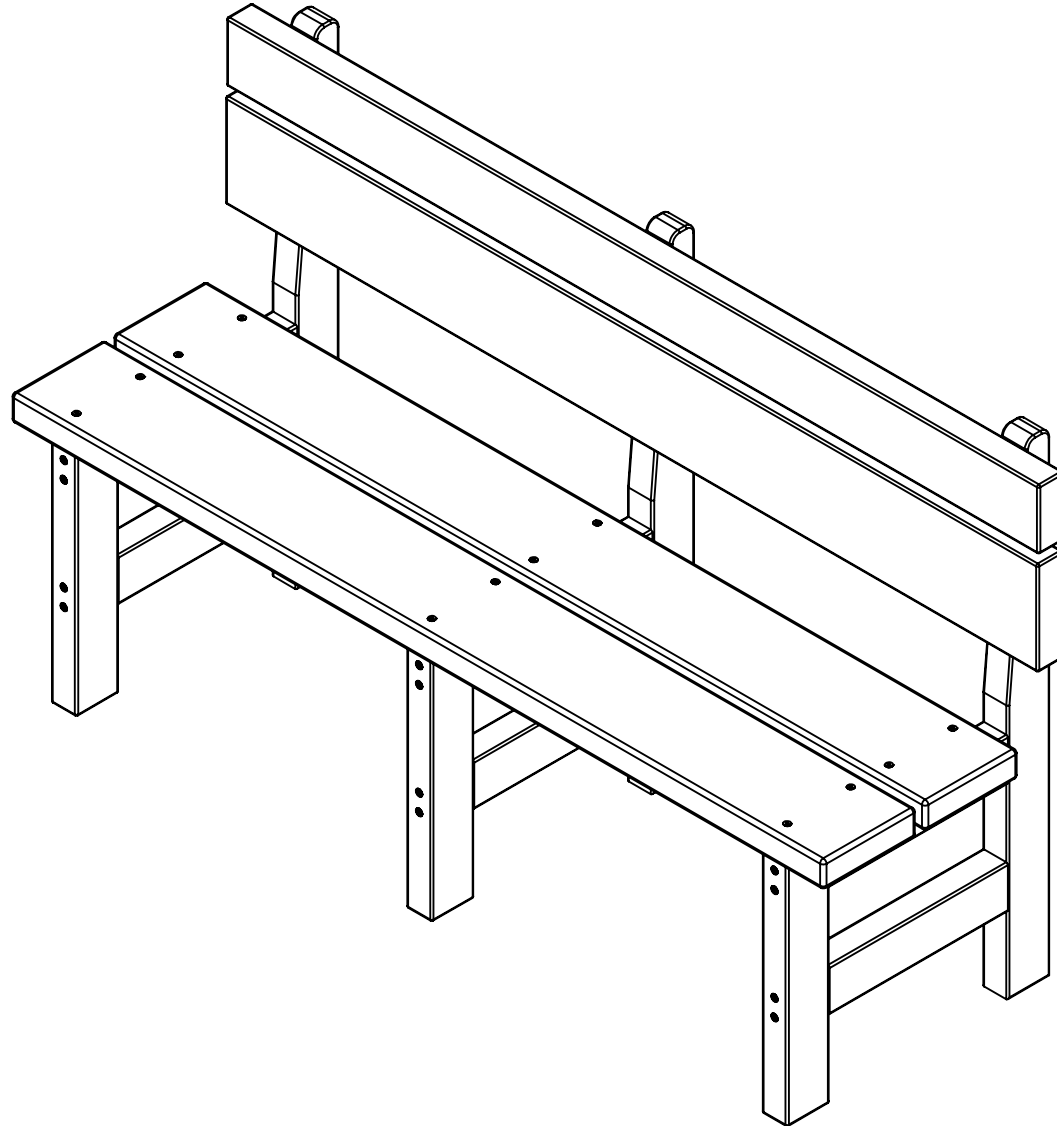
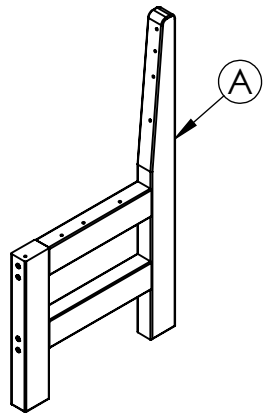


BENCH INSTRUCTIONS

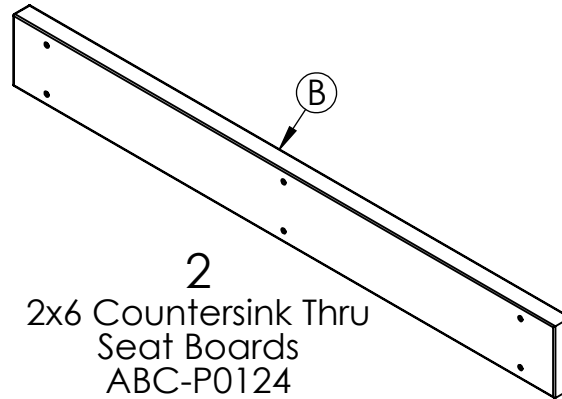
REV# 3
1/29/2019



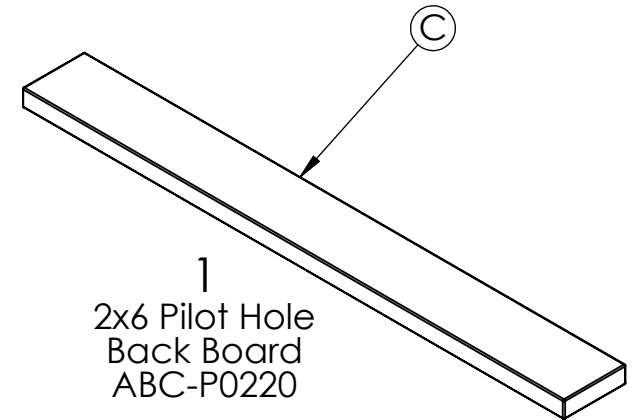
BENCH INSTRUCTIONS



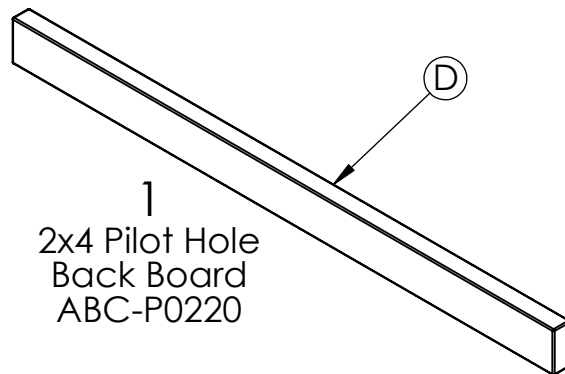
3
Bench End
ABC-A0061



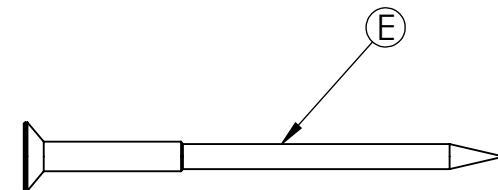
2
2x6 Countersink Thru
Seat Boards
ABC-P0124



1
2x6 Pilot Hole
Back Board
ABC-P0220



1
2x4 Pilot Hole
Back Board
ABC-P0220



REQUIRED TOOLS (NOT INCLUDED)

- POWER DRILL
- #2 SQUARE DRIVE

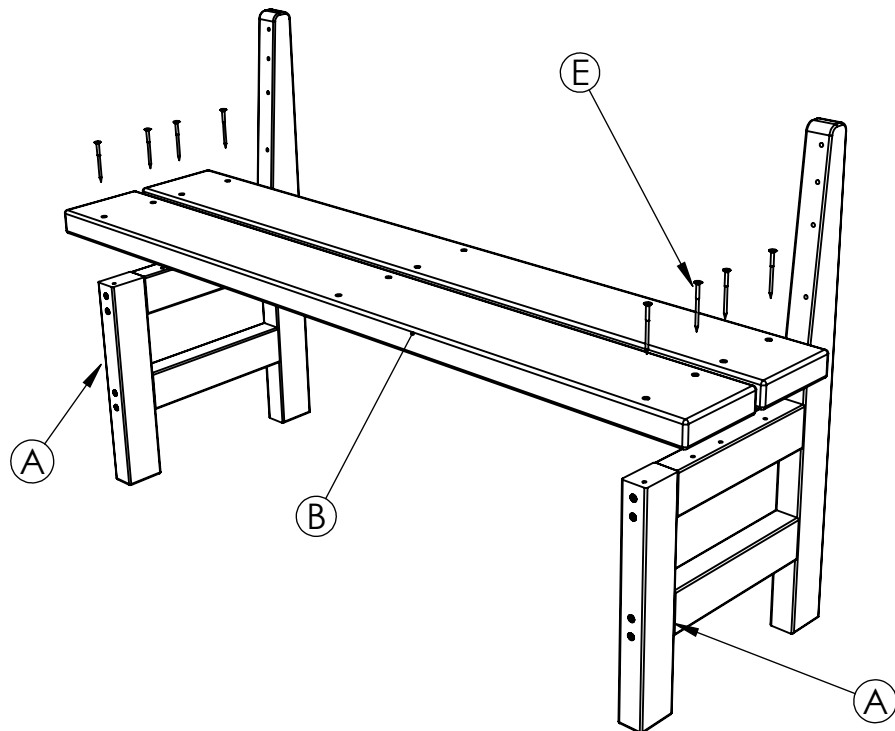
**HARDWARE &
TOOLS REQUIRED
FOR ASSEMBLY**

2/5

BENCH INSTRUCTIONS

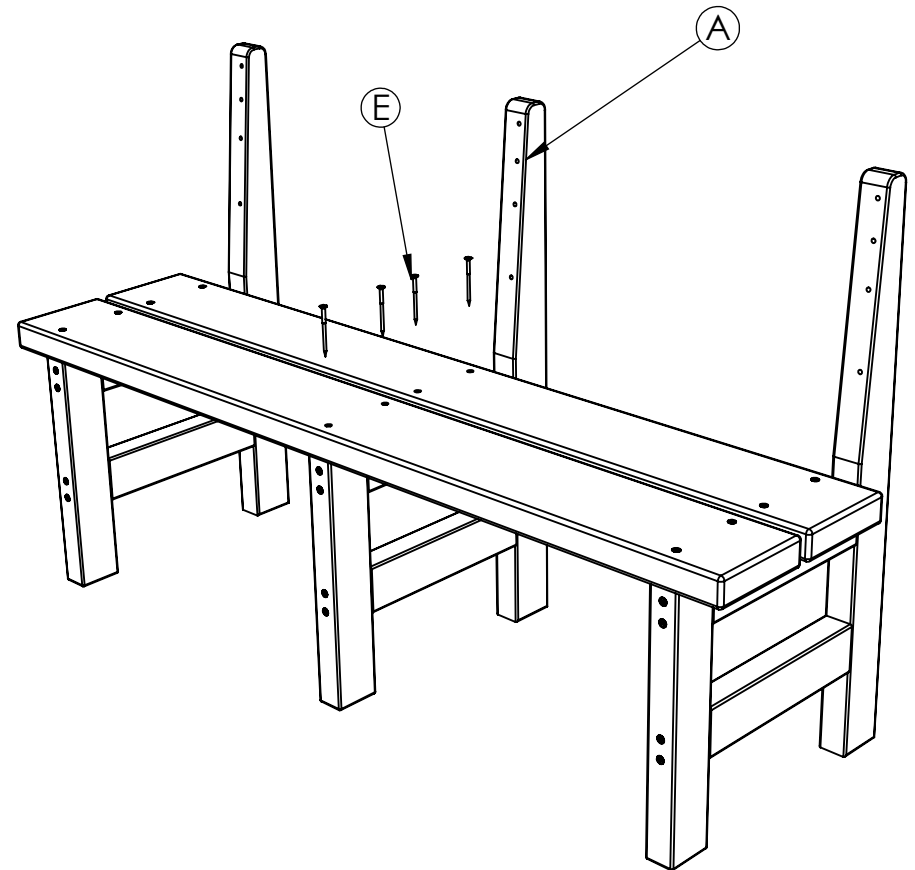
STEP 1 Seat Assembly

- Stand two outer bench ends (A) upright
- Lay a seat board (B) with the thru countersink holes over the bench ends (A)
- Align the holes in the seat board with the predrilled holes in the bench ends
- Secure the board with the #10 x 2.5" screws (E)
- Repeat for each seat board (B)



STEP 2 Seat Assembly

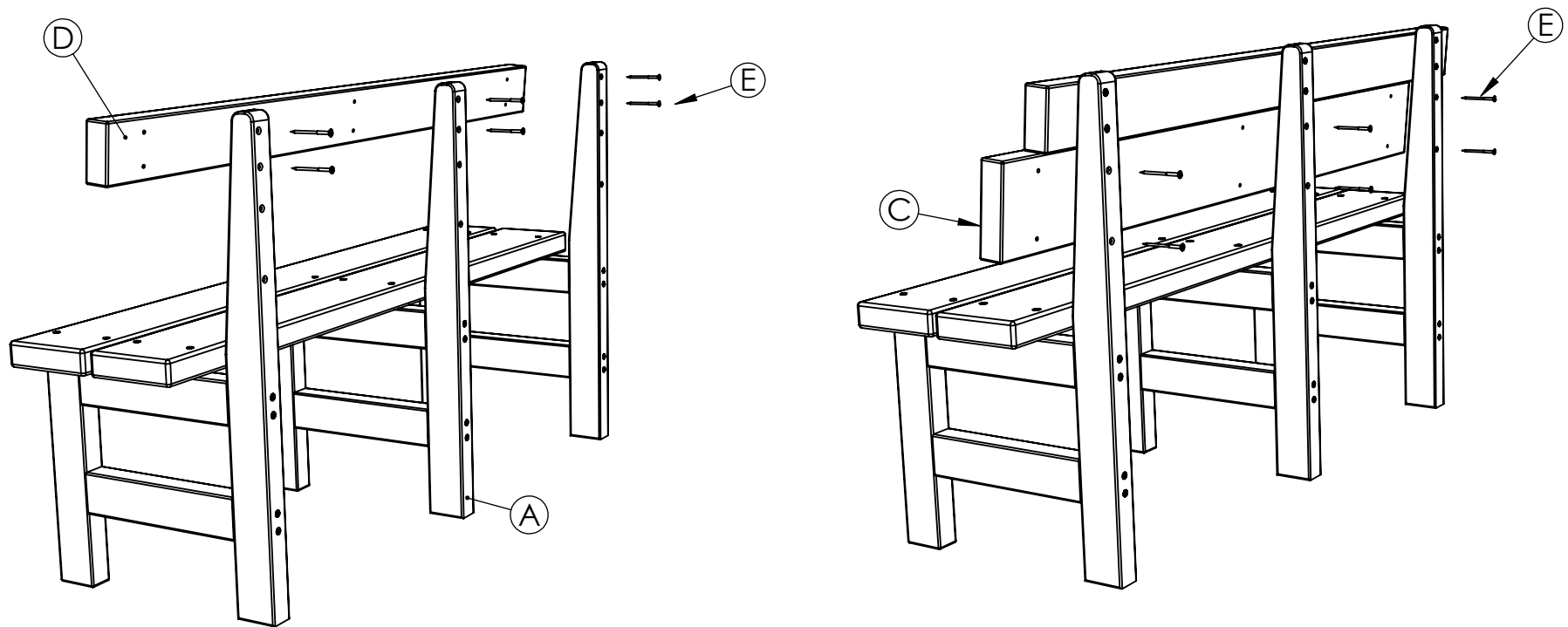
- Move the remaining bench end (A) to the center of the bench
- Align the predrilled holes in the bench end with holes in the seat board (B)
- Secure both seat boards to the bench end with #10 x 2.5" screws (E)



BENCH INSTRUCTIONS

STEP 3 Backrest Assembly

- Start a screw (E) in the back side of the back rest of bench end (A)
 - Thread the screw in enough so just the tip of the screw is through the front of the bench end
 - Hold the 2X4 back board (D) up to the back rest portion of the bench end (A)
- Note: The smaller board attaches to the top
- Align the screw tip with the pilot holes in the 2X4 back board (D) and tighten the screw (E)
 - Repeat steps for remaining 2X6 back board (C)



NOTE: IT IS IMPORTANT TO NOT OVER TIGHTEN THE SCREWS GOING INTO THE BACK BOARDS OR THE SCREW WILL PROTRUDE OUT INTO THE FRONT OF THE BOARDS

**BACK
ASSEMBLY**

4/5

BENCH SPECIFICATIONS BC1530

REV# 3
1/29/2019

ALL DIMENSIONS ARE SHOWN IN INCHES

