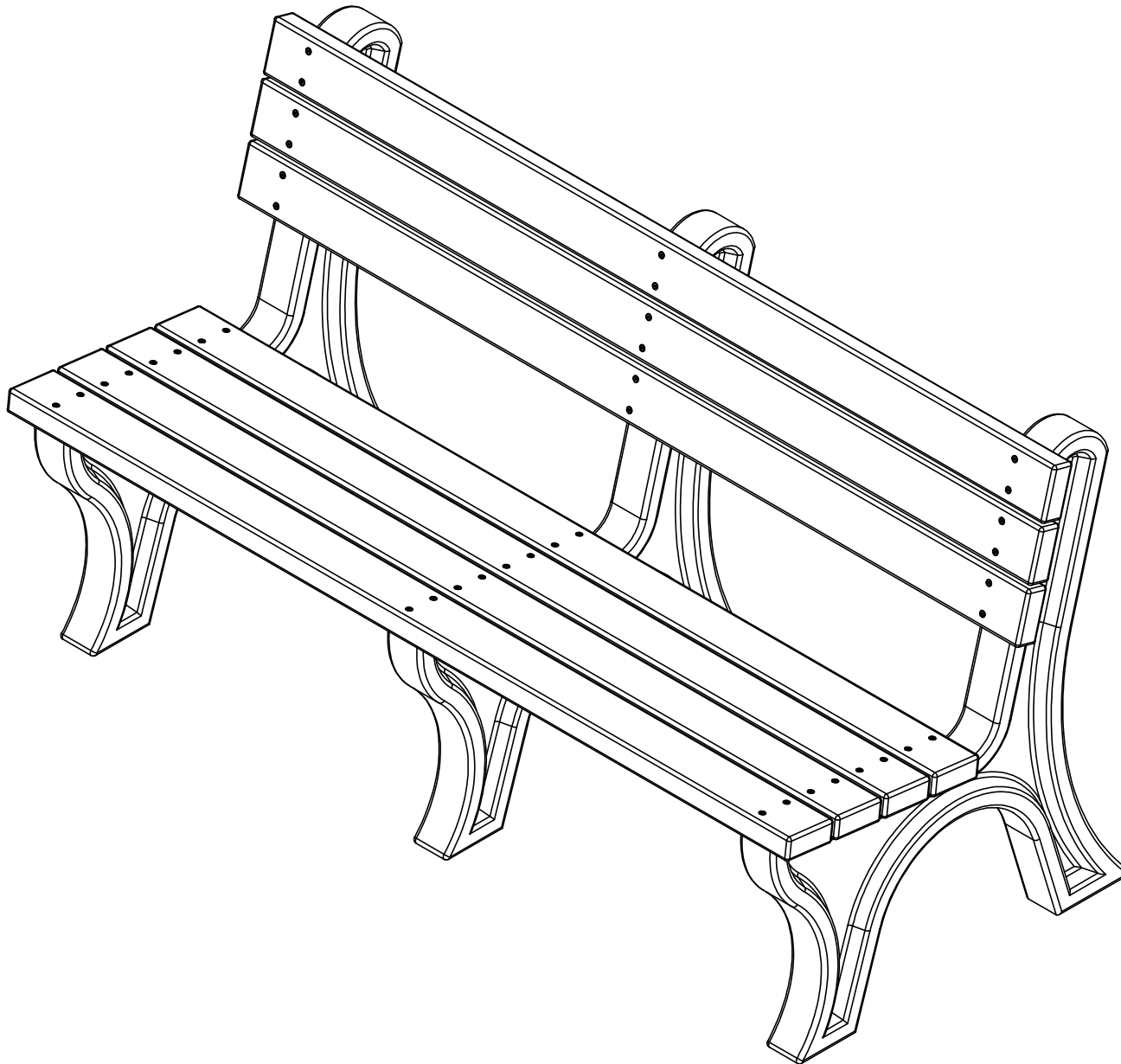


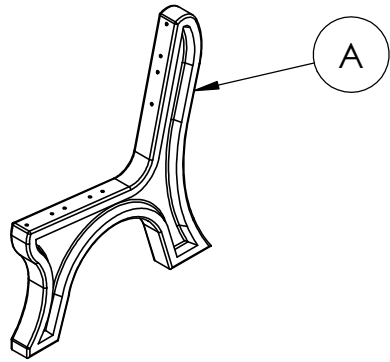
# BENCH INSTRUCTIONS

REV#4  
9/10/21

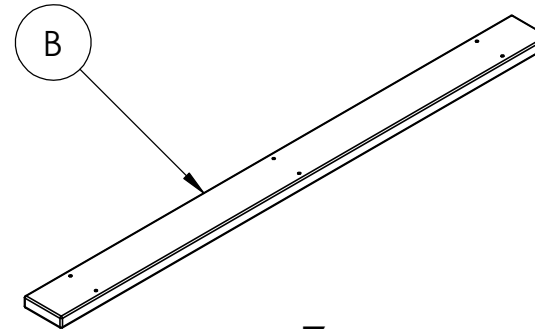
KBC1115  
KBC1120  
KBC1125  
KBC1151  
KBC1152  
KBC1153  
KBC1155  
KBC1156  
KBC1157  
KBC1161  
KBC1162  
KBC1163



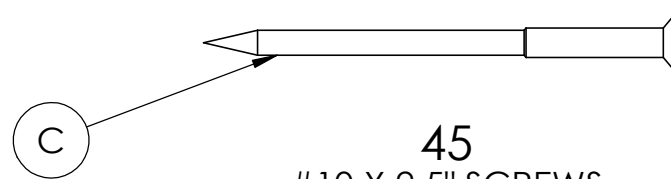
# BENCH INSTRUCTIONS



3  
BENCH END  
ABC-PPL1000



7  
PLASTIC BOARDS  
ABC-P0097



45  
#10 X 2.5" SCREWS

## REQUIRED TOOLS (NOT INCLUDED)

- POWER DRILL
- #2 SQUARE DRIVE

NOTE: IT IS IMPORTANT TO KEEP ALL SCREWS LOOSE DURING ASSEMBLY UNTIL ENTIRE BENCH IS ASSEMBLED

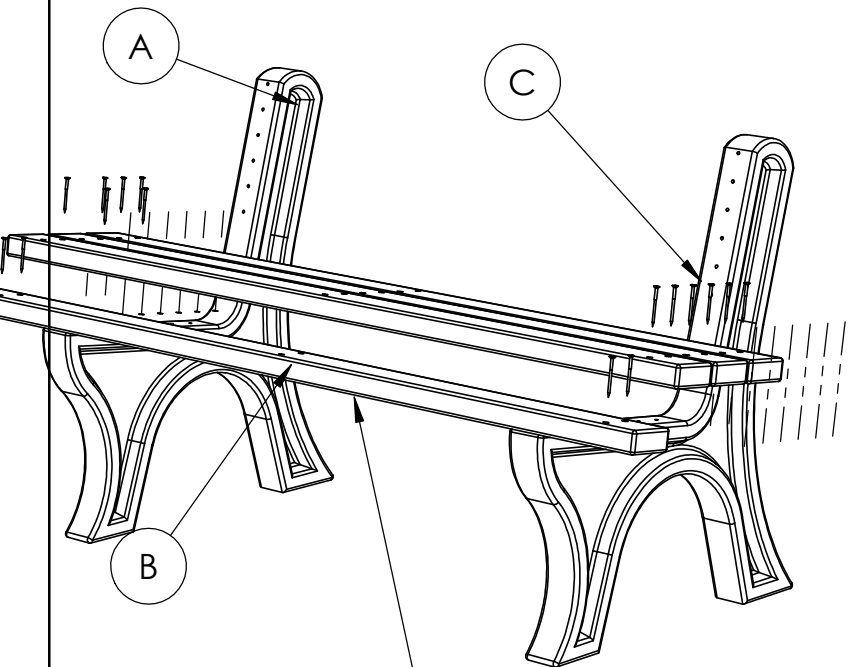
**HARDWARE &  
TOOLS REQUIRED  
FOR ASSEMBLY**

**2/5**

# BENCH INSTRUCTIONS

## STEP 1 Seat Assembly

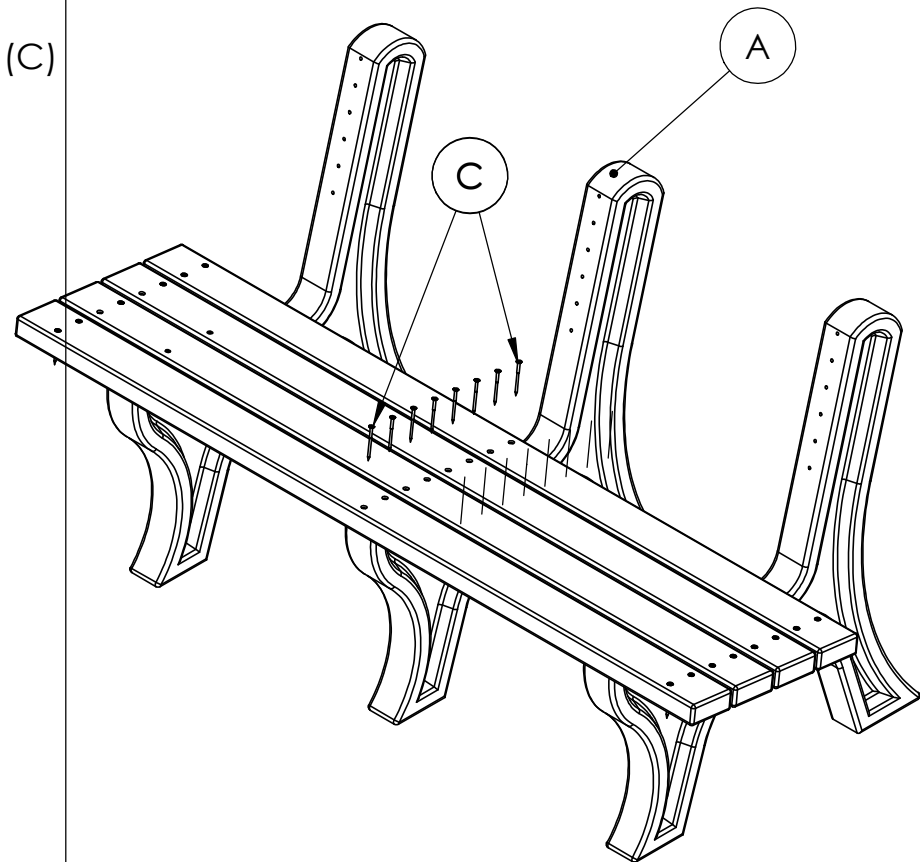
- Stand two outer bench ends (A) upright
- Lay a plastic board (B) over the bench ends (A) closest to the end
- Align the holes in the plastic board with the predrilled holes in the bench ends
- Secure the board (B) with the #10 x 2.5" screws (C)
- Repeat for each plastic board starting at the front seat board and working toward the back



**INSTALL THIS BOARD FIRST**

## STEP 2 Seat Assembly

- Move the remaining bench end (A) to the center of the bench
- Align the predrilled holes in the bench end with holes in the plastic board (B)
- Secure each plastic board to the end with #10 x 2.5" screws (C)

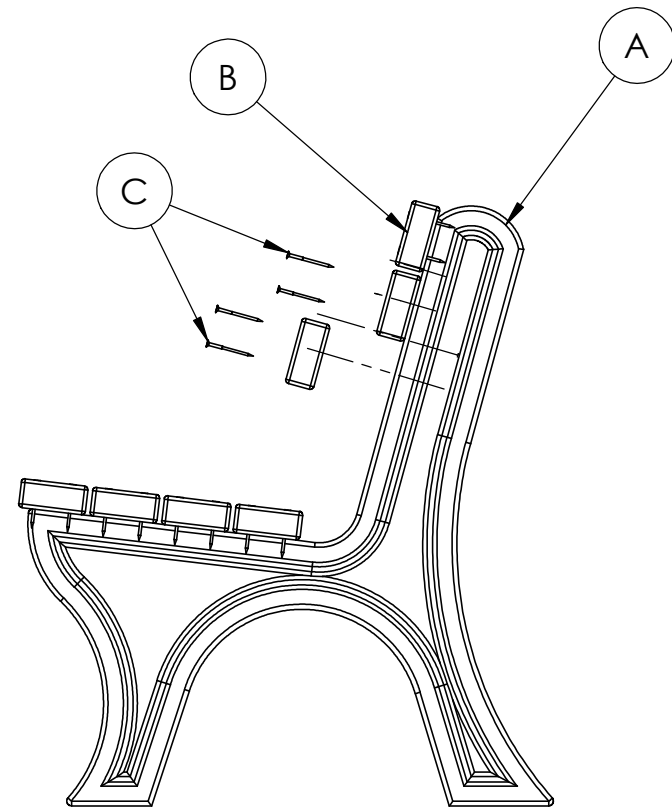
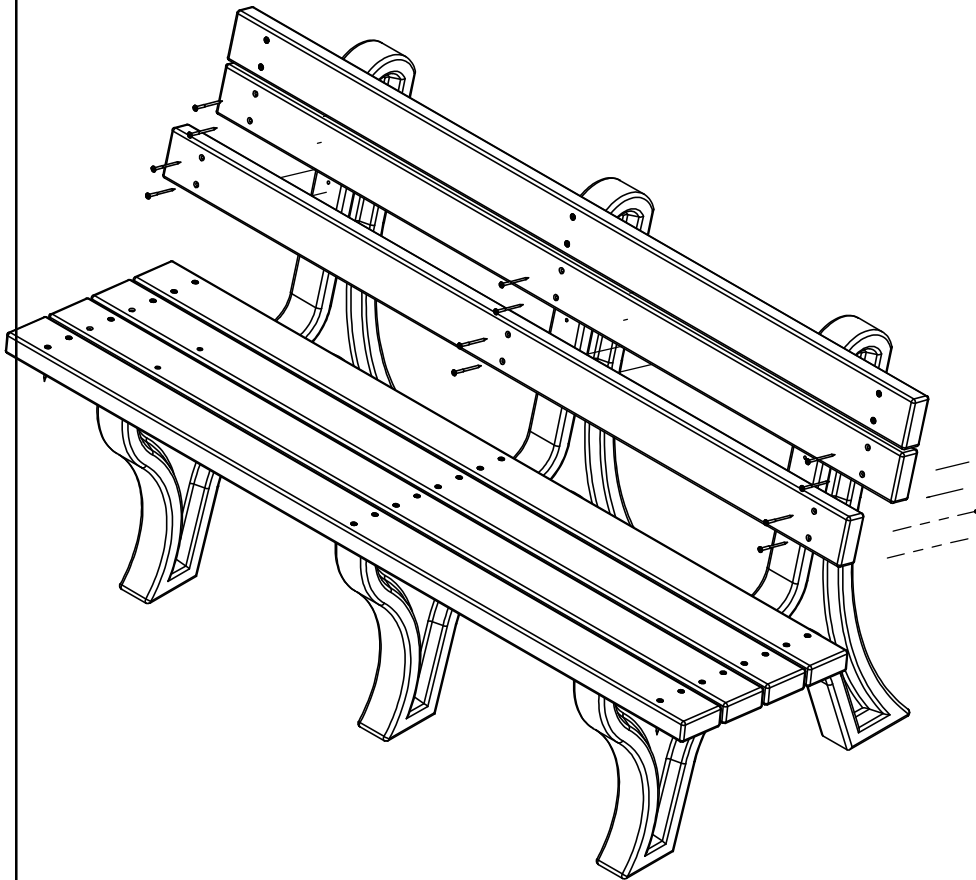


## BENCH INSTRUCTIONS

### STEP 3 Backrest Assembly

- Hold a plastic board (B) up to the back rest portion of the bench end (A)
- Align the predrilled holes in the bench end (A) with holes in the plastic board (B)
- Secure each plastic board to the bench end with #10 x 2.5" screws (C)
- Square all components and tighten all screws
- Level board and leave 1/4" spacing between boards and secure to bench ends

**Note:** If there are engraved boards, holes may be missing or not line up properly with bench ends

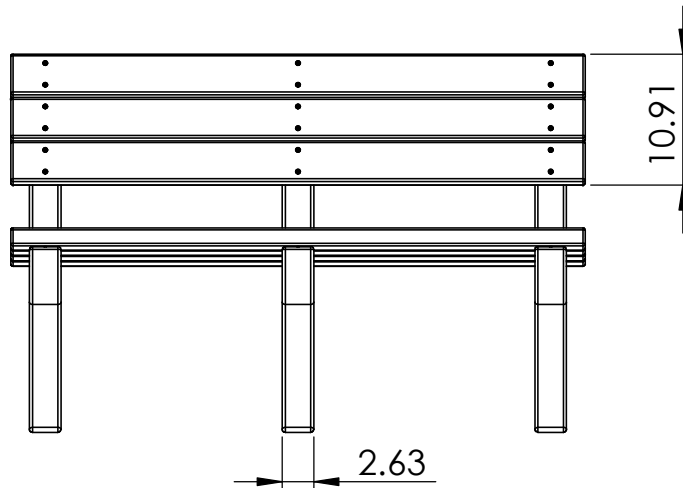
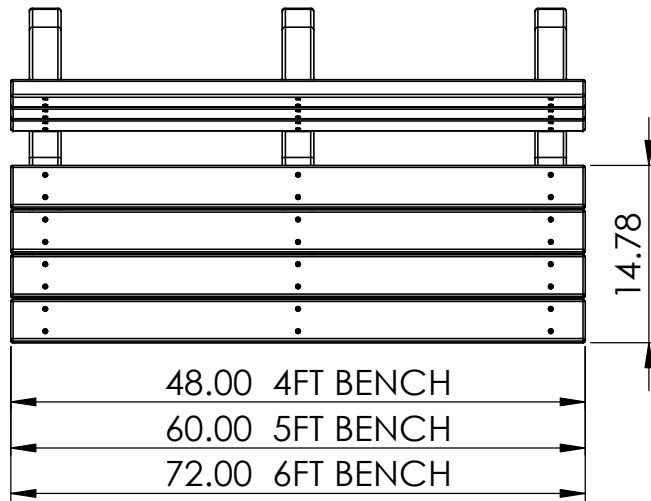


# BENCH SPECIFICATIONS

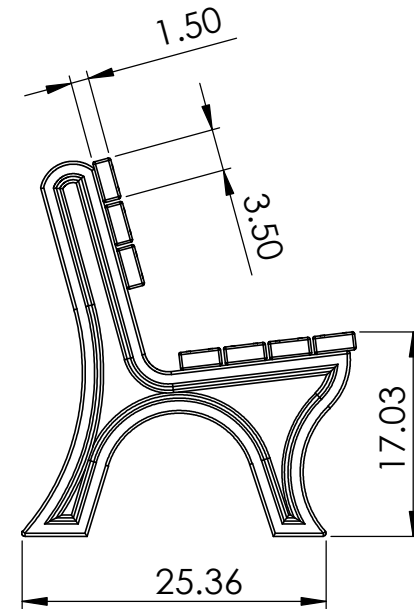
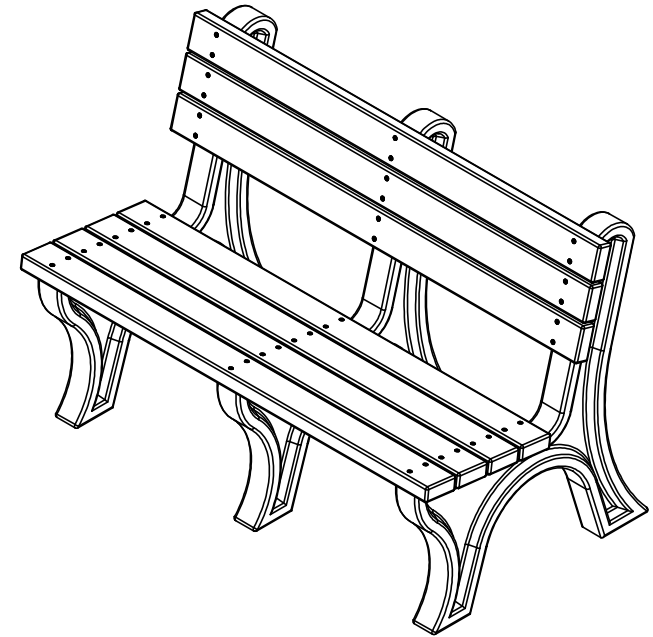
REV# 4  
9/10/21

- KBC1115
- KBC1120
- KBC1125
- KBC1151
- KBC1152
- KBC1153
- KBC1155
- KBC1156
- KBC1157
- KBC1161
- KBC1162
- KBC1163

**TOP**



**FRONT**



**SIDE**

**CONSTRUCTION MATERIALS:**  
Recycled Plastic  
**HARDWARE:**  
Stainless Steel

ALL DIMENSIONS SHOWN IN INCHES