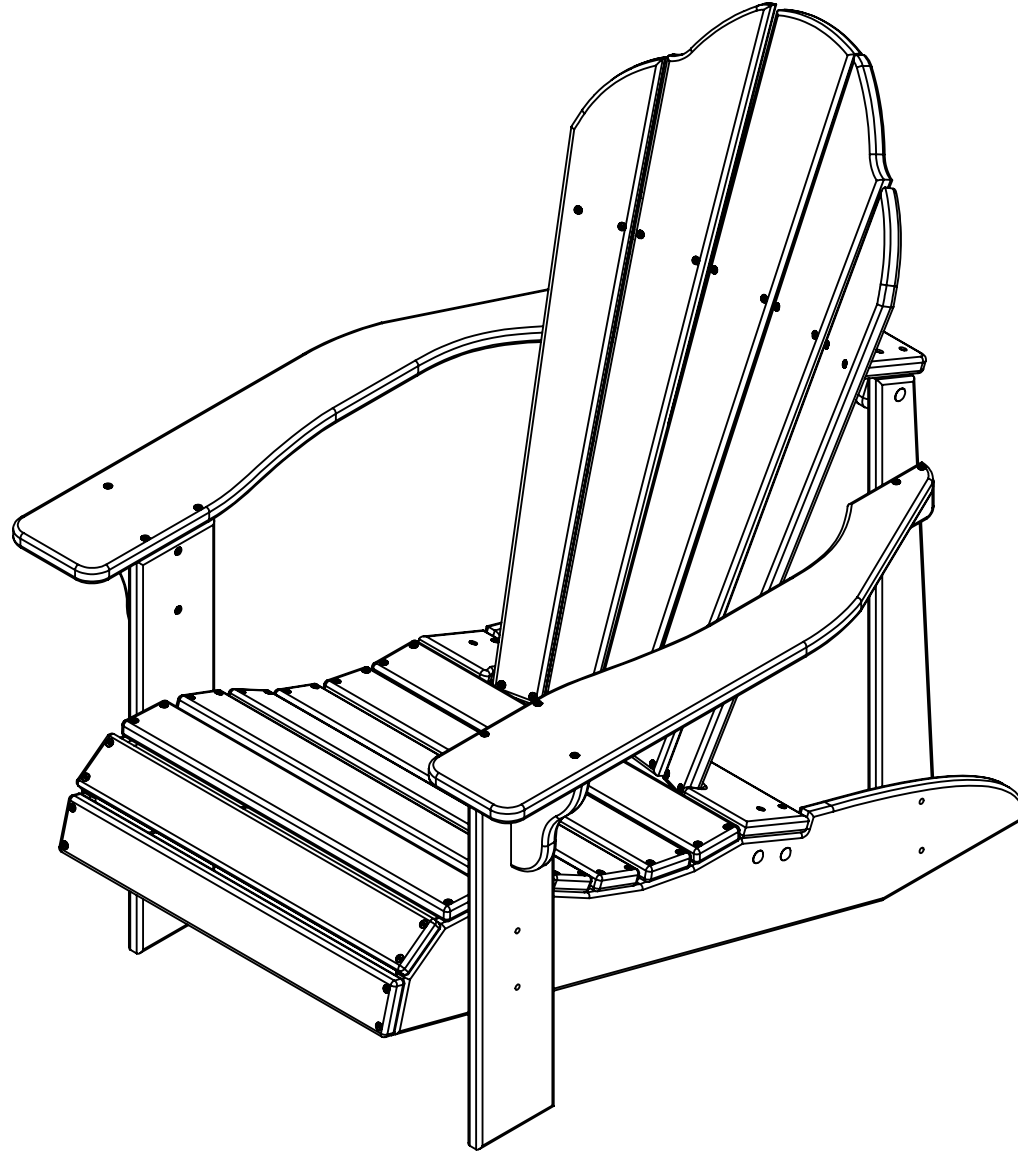
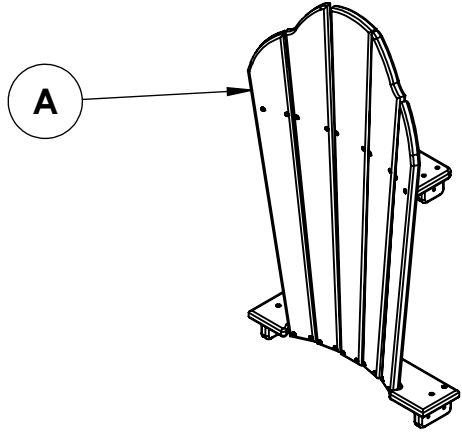


**ADIRONDACK CHAIR
INSTRUCTIONS
BC1165**

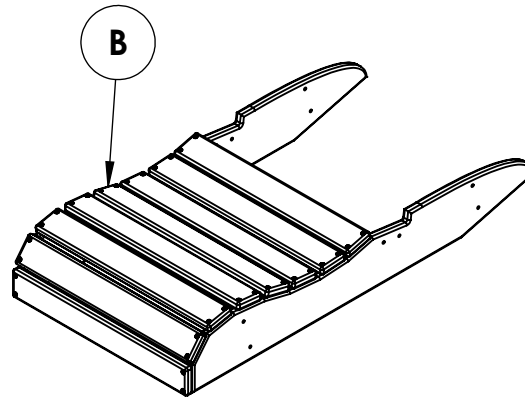
REV# 1



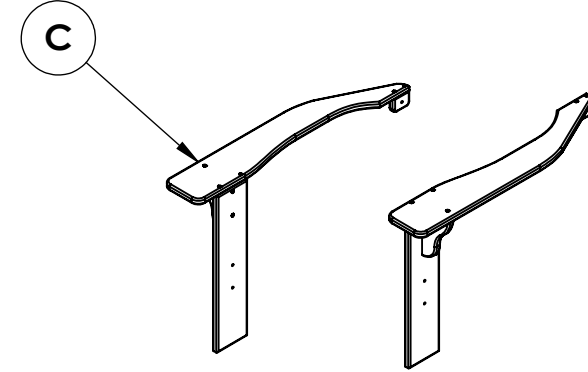
ADIRONDACK CHAIR INSTRUCTIONS BC1165



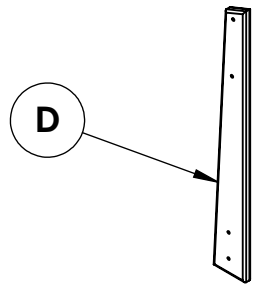
1
Back Assembly



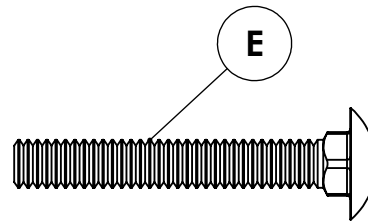
1
Seat Assembly



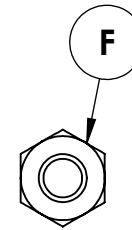
2
Armrest Assembly



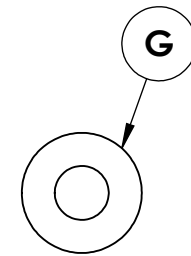
2
Back Support



16
1/4"-20 x 1.75" Carriage Bolt



16
1/4"-20 Hex Nut



16
1/4"-20 Flat Washer

**REQUIRED TOOLS
(NOT INCLUDED)**
- 7/16" SOCKET OR WRENCH

**NOTE: IT IS IMPORTANT TO KEEP ALL SCREWS LOOSE
DURING ASSEMBLY UNTIL ENTIRE BENCH IS ASSEMBLED**

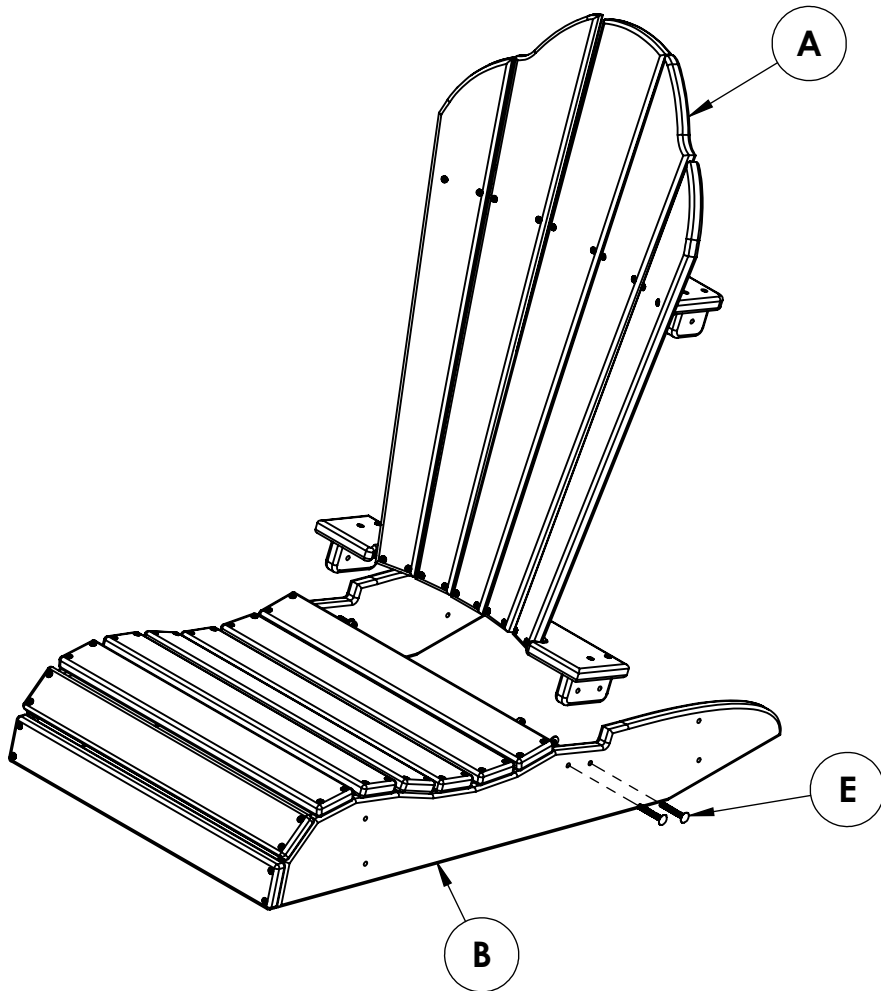
**HARDWARE &
TOOLS REQUIRED
FOR ASSEMBLY**

2/5

ADIRONDACK CHAIR INSTRUCTIONS BC1165

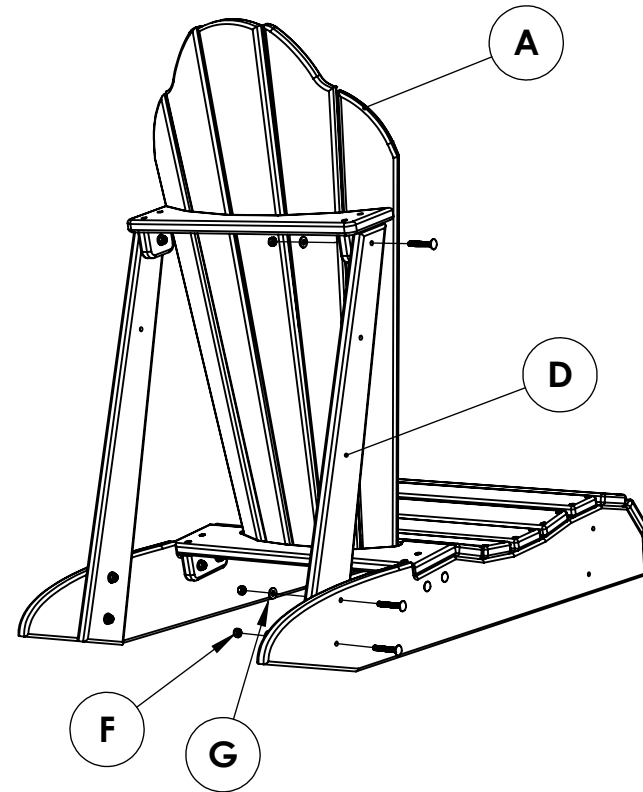
STEP 1 Seat and Back Assembly

- Attach the back assembly (A) to the seat assembly (B) with (2) 1/4"-20 x 1.75" carriage bolts (E) per side
- Secure with a 1/4" flat washer (G) and a 1/4" hex nut (F) per bolt



STEP 2 Back Supports

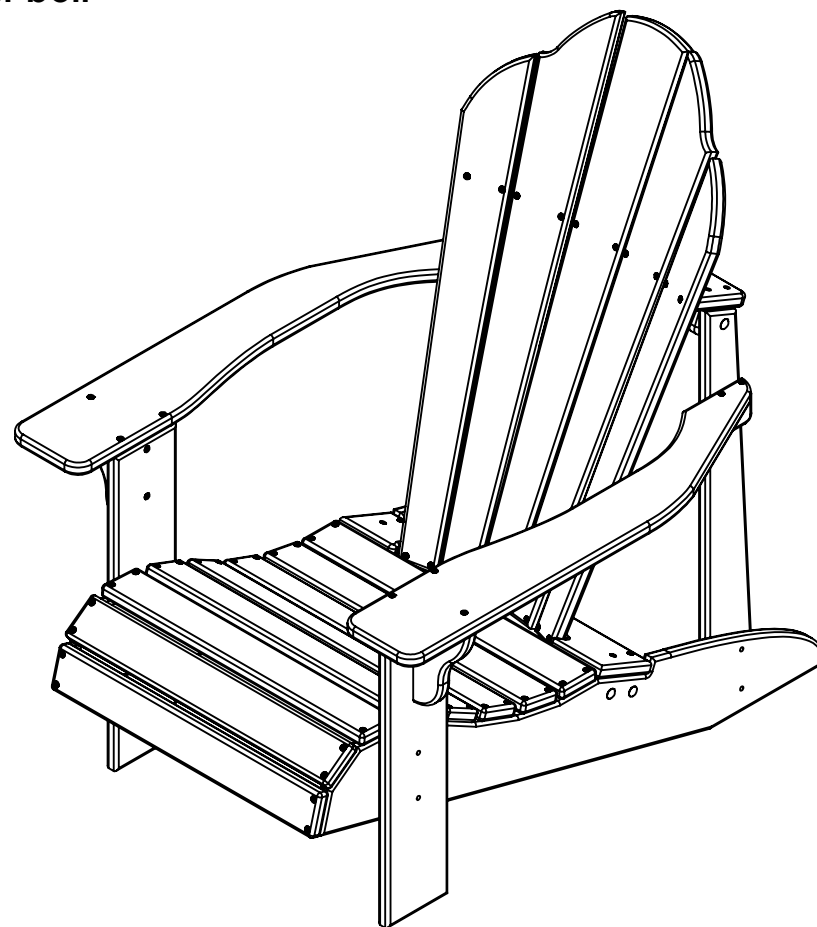
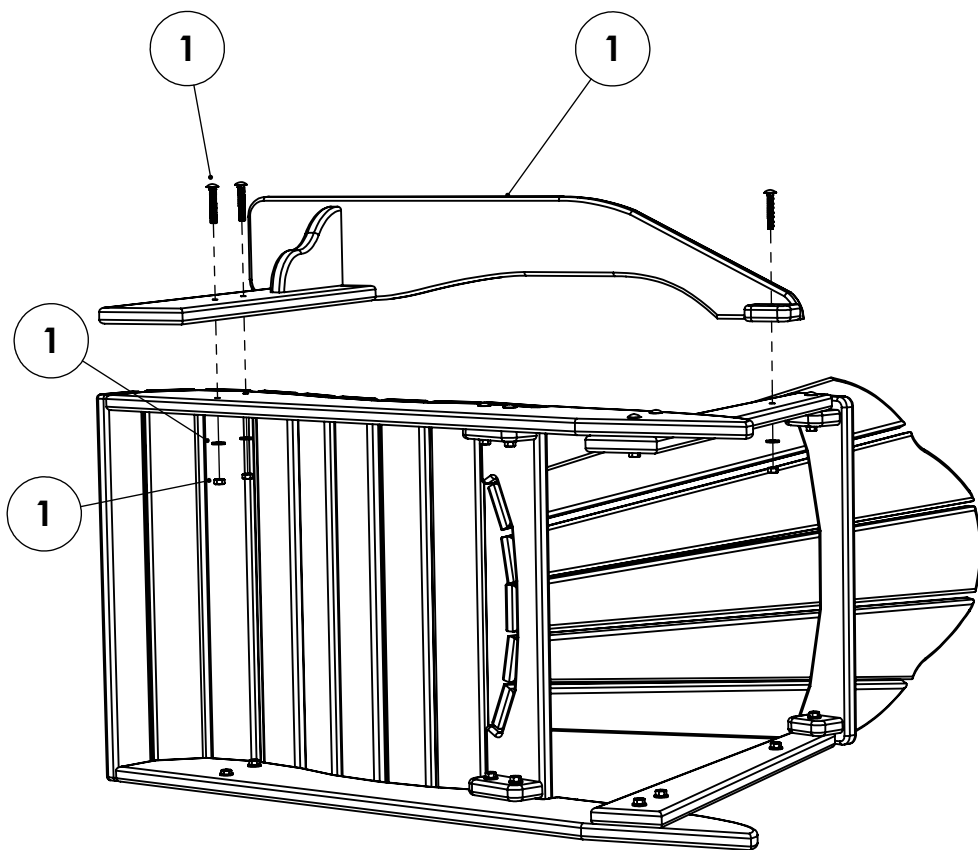
- Attach a back support (D) to each side of the back assembly (A) using (3) 1/4"-20 x 1.75" carriage bolts (E)
- Secure with a 1/4" flat washer (G) and a 1/4" hex nut (F) per bolt



ADIRONDACK CHAIR INSTRUCTIONS BC1165

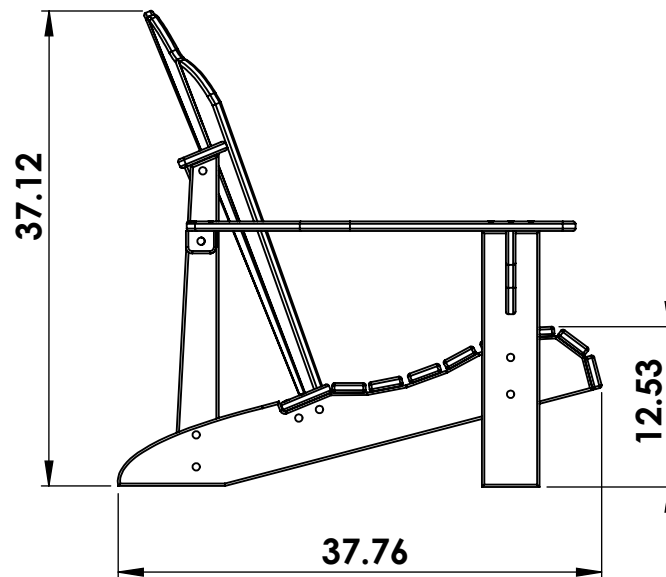
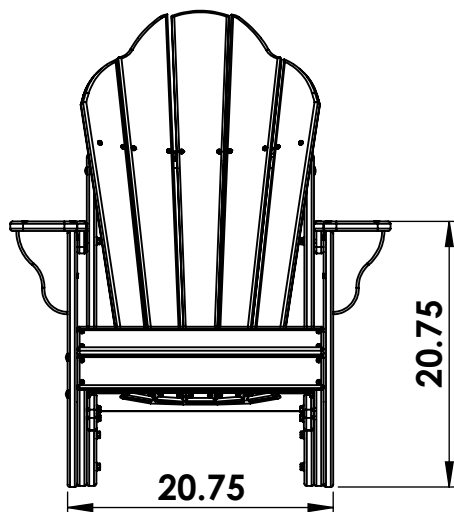
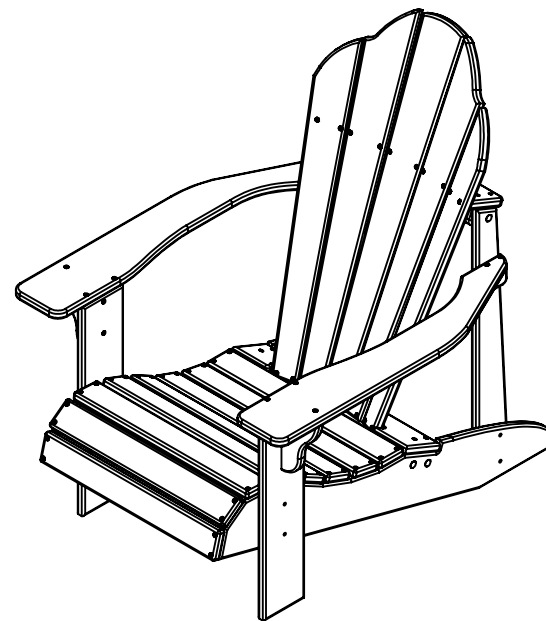
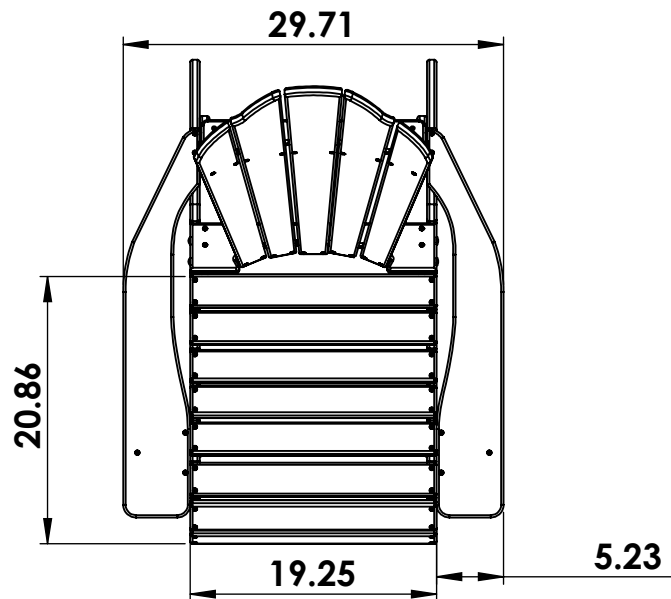
STEP 3 Armrest Assembly

- Lay the chair on its side
- Attach the armrest assembly (C) to the appropriate side of the chair using (3) 1/4"-20 x 1.75" carriage bolts (E) per side
- Secure with a 1/4" flat washer (G) and a 1/4" hex nut (F) per bolt
- Repeat for the opposite side



SPECIFICATIONS

BC1165



CONSTRUCTION MATERIALS:
Recycled Plastic
HARDWARE:
Stainless Steel

ALL DIMENSIONS ARE SHOWN IN INCHES