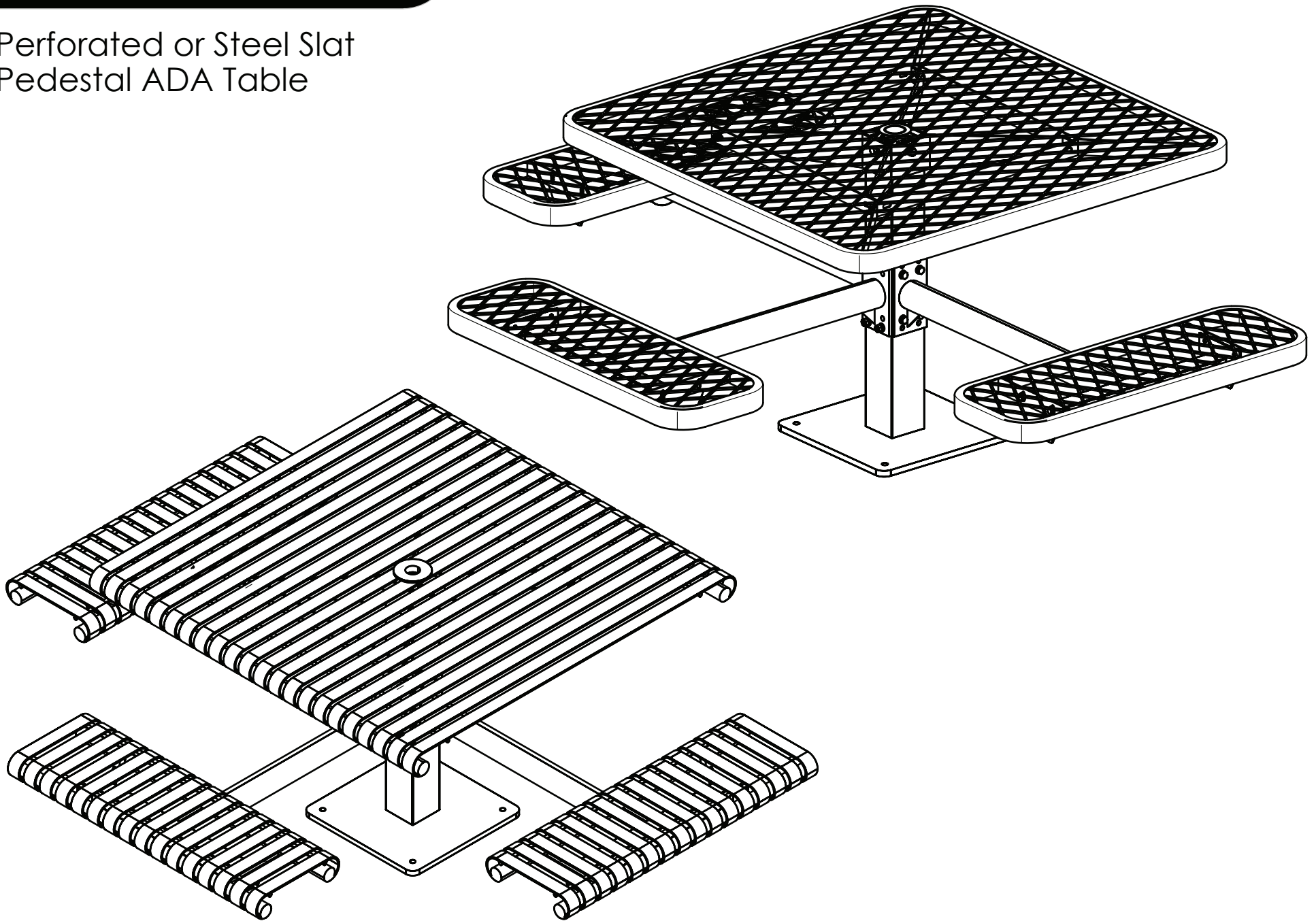


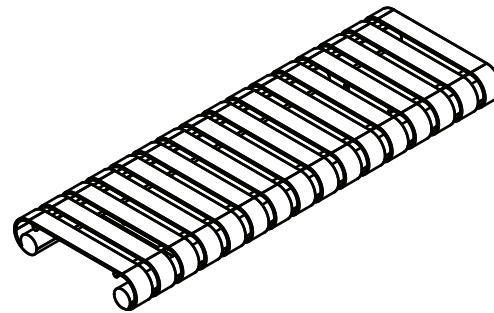
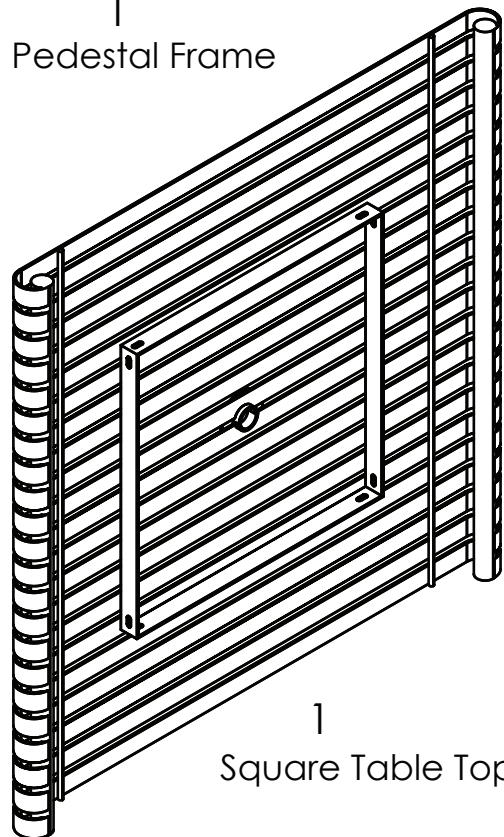
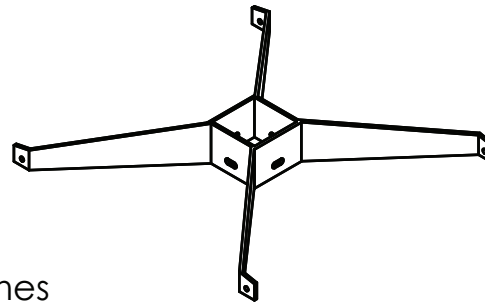
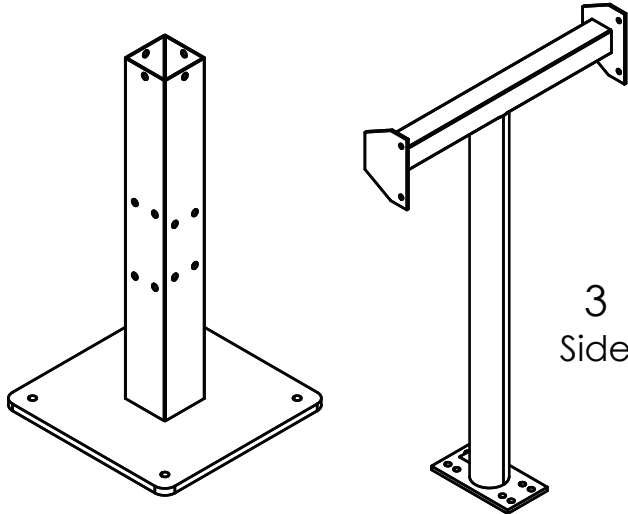
# INSTRUCTIONS

Perforated or Steel Slat  
Pedestal ADA Table

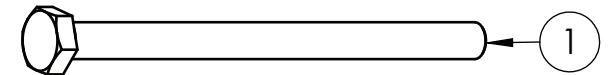


# INSTRUCTIONS

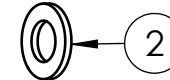
## COMPONENTS



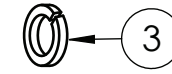
## HARDWARE



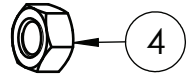
8 PCS  
M10 x 135  
HEX HEAD BOLTS



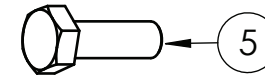
24 PCS  
M10  
Plain Washers



12 PCS  
M10  
Lock Washers



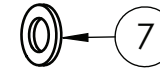
12 PCS  
M10  
Hex Nuts



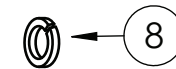
4 PCS  
M10 x 30  
HEX HEAD BOLTS



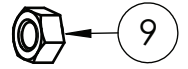
16 PCS  
M8 x 30  
HEX HEAD BOLTS



32 PCS  
M8  
Plain Washers



16 PCS  
M8  
Lock Washers



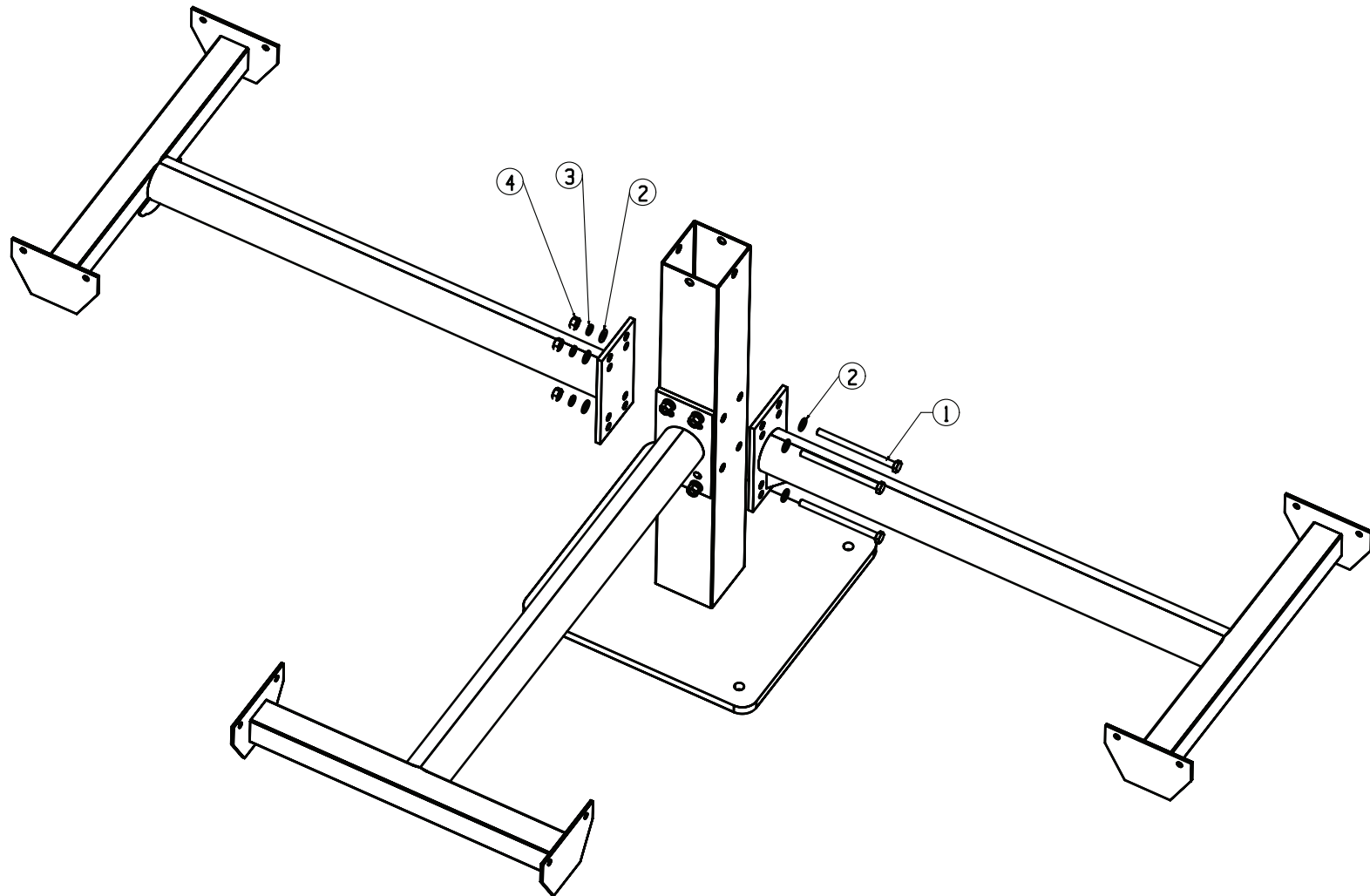
16 PCS  
M8  
Hex Nuts

**NOTE: IT IS IMPORTANT TO KEEP ALL BOLTS FINGER TIGHT DURING ASSEMBLY UNTIL ENTIRE TABLE IS ASSEMBLED**

**HARDWARE &  
TOOLS REQUIRED  
FOR ASSEMBLY**

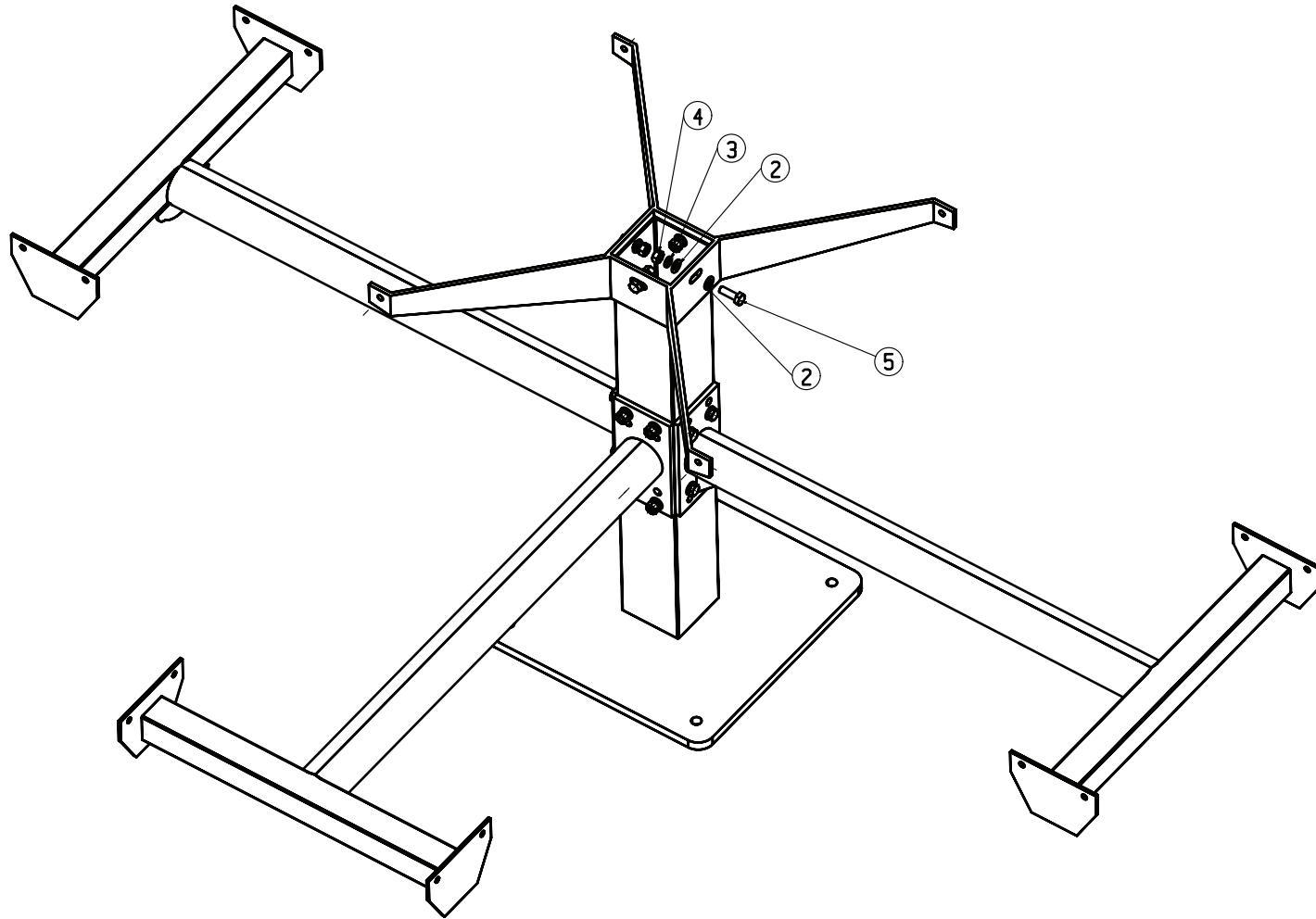
**2/6**

# INSTRUCTIONS



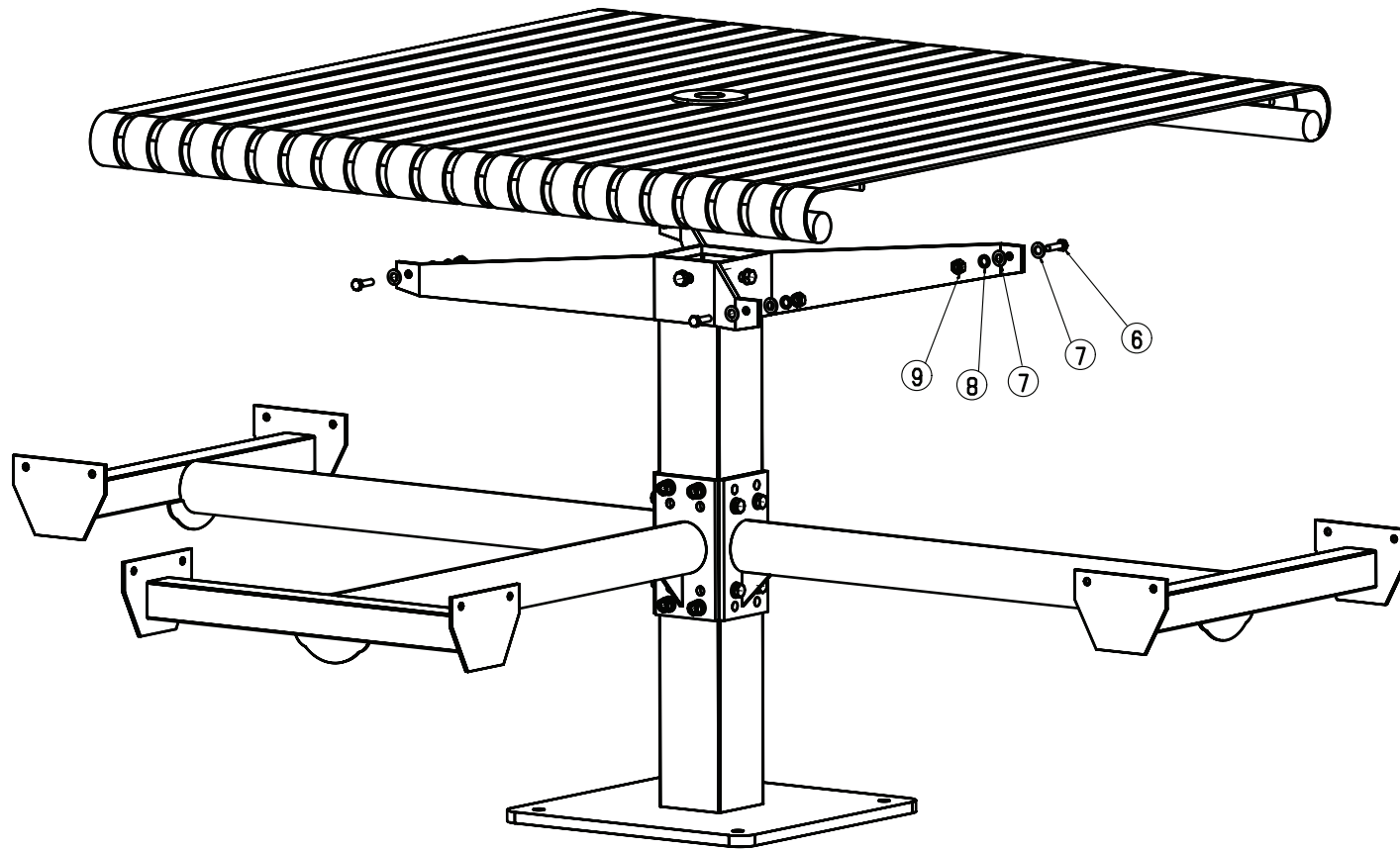
Attach the side frames to the pedestal frame using the specified hardware.

# INSTRUCTIONS



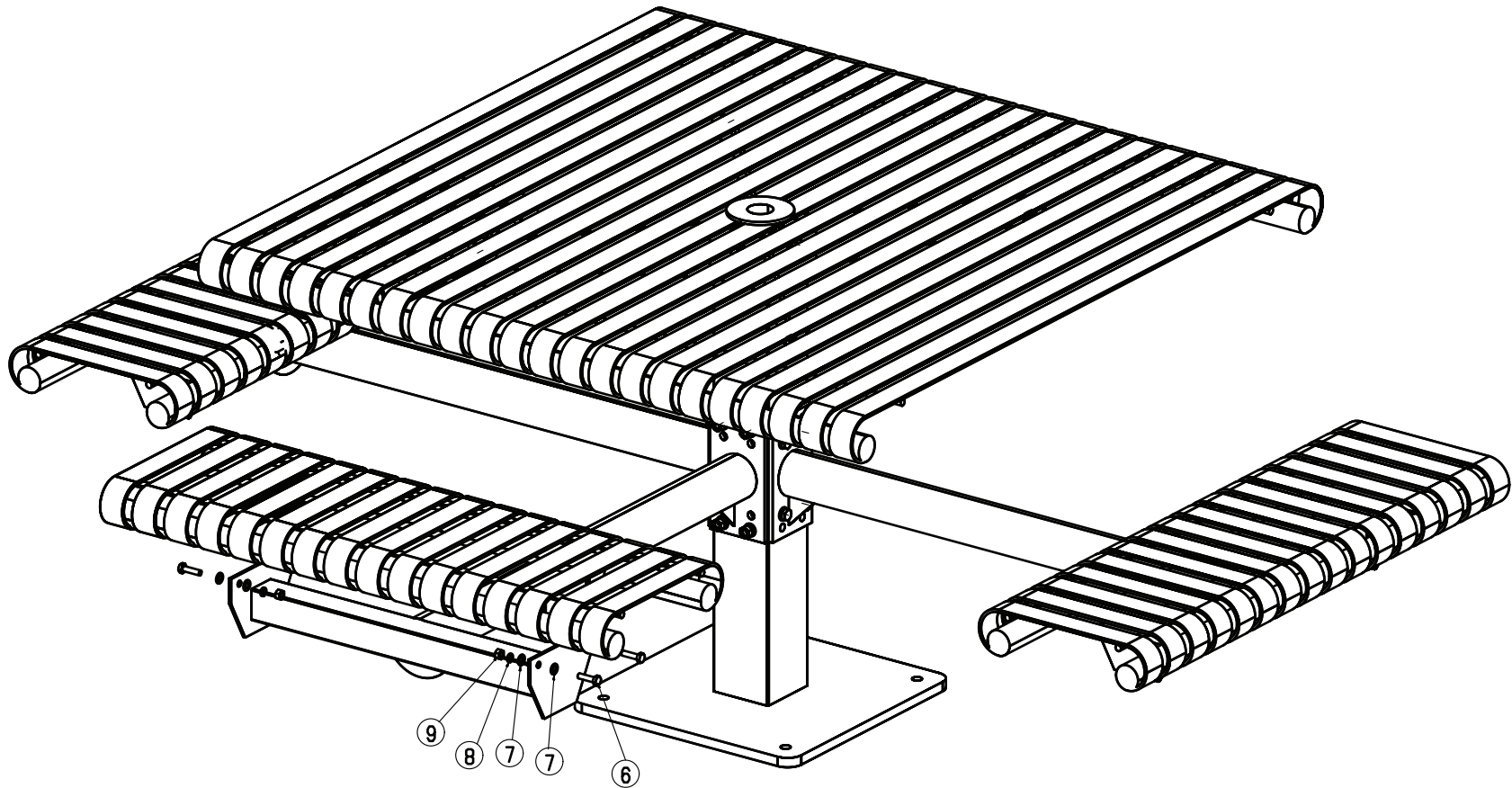
Attach the table support bracket to the pedestal frame using the specified hardware.

# INSTRUCTIONS



Attach the square table top to the table support bracket using the specified hardware.

# INSTRUCTIONS



Attached the seat tops to the side frames using the specified hardware.  
Fully tighten all hardware with appropriate wrenches.

**IMPORTANT! Make sure to securely mount the table to the ground before use.**