

TABLE INSTRUCTIONS

CF2030 REV# 1
6-11-2018

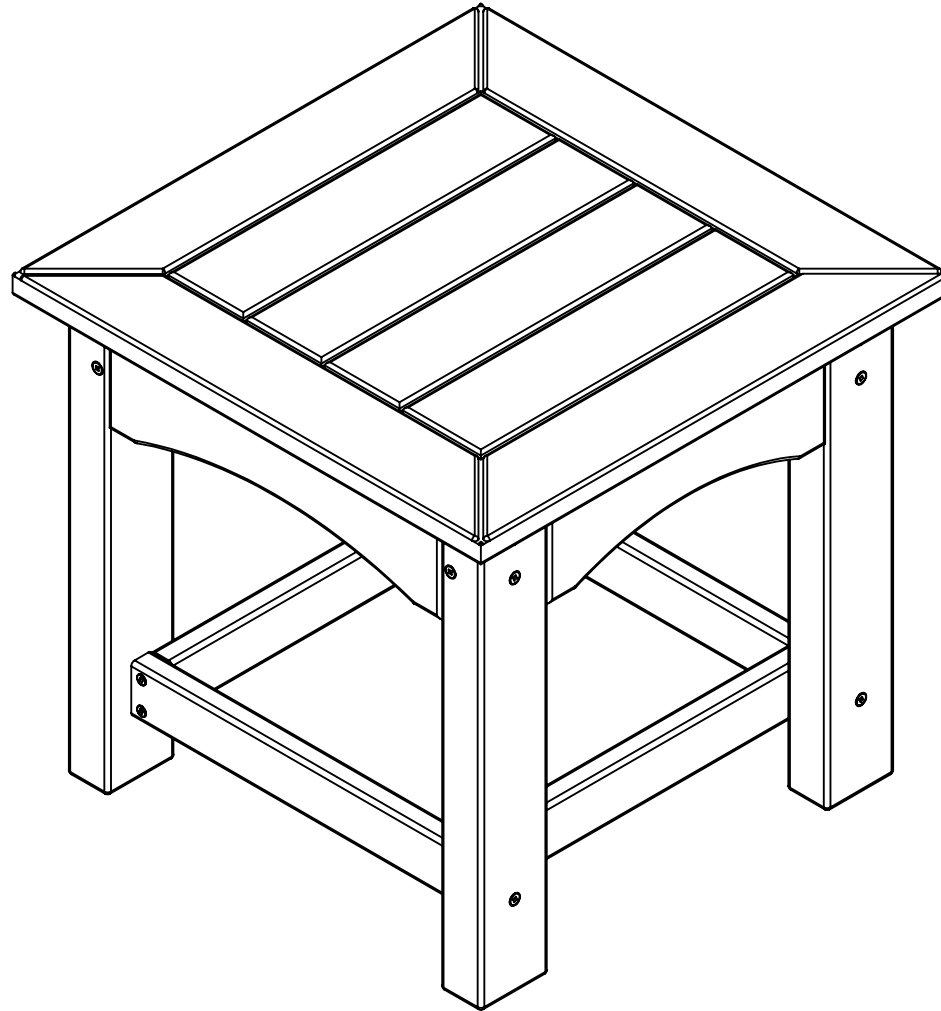
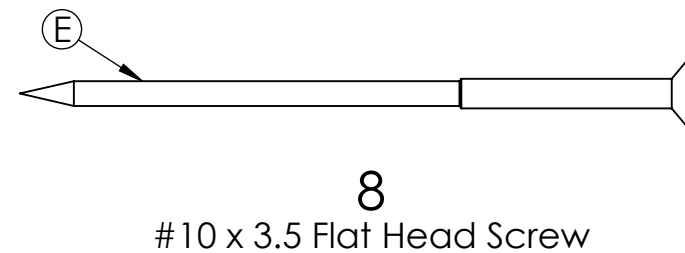
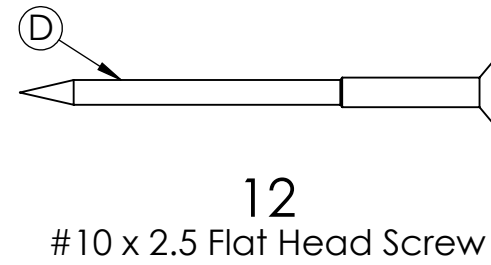
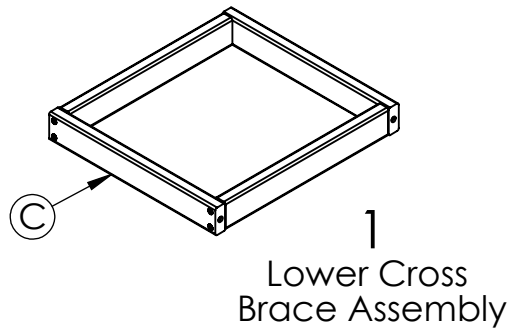
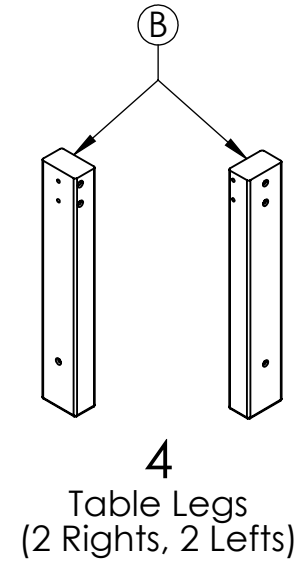
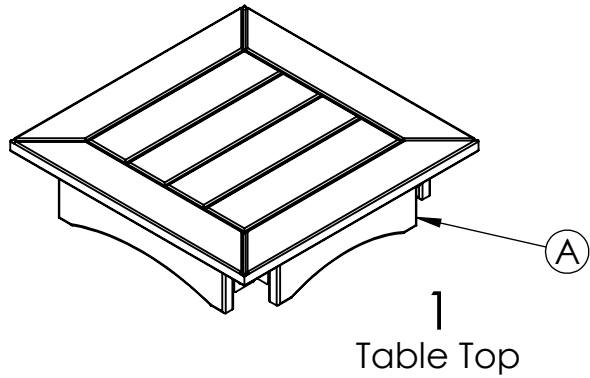


TABLE INSTRUCTIONS



REQUIRED TOOLS (NOT INCLUDED)

- POWER DRILL
- #2 SQUARE DRIVE

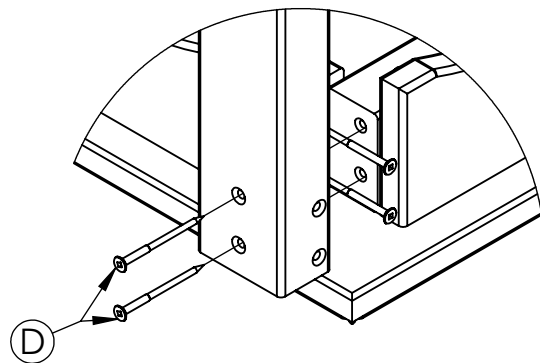
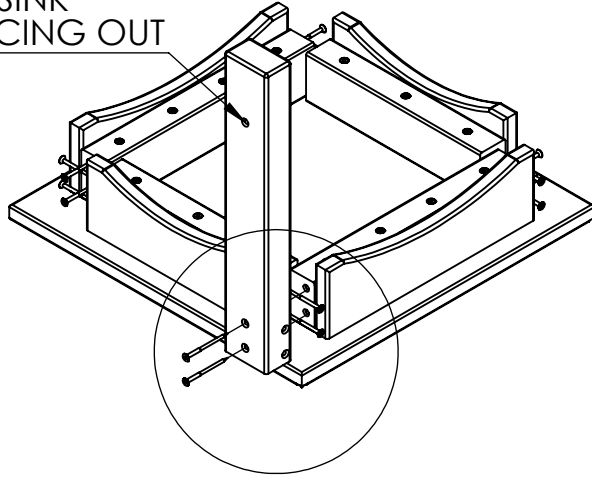
**HARDWARE &
TOOLS REQUIRED
FOR ASSEMBLY**

2/5

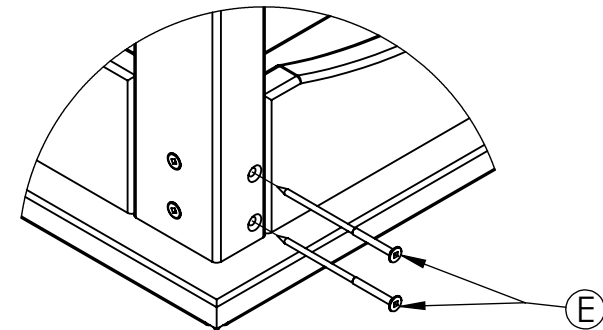
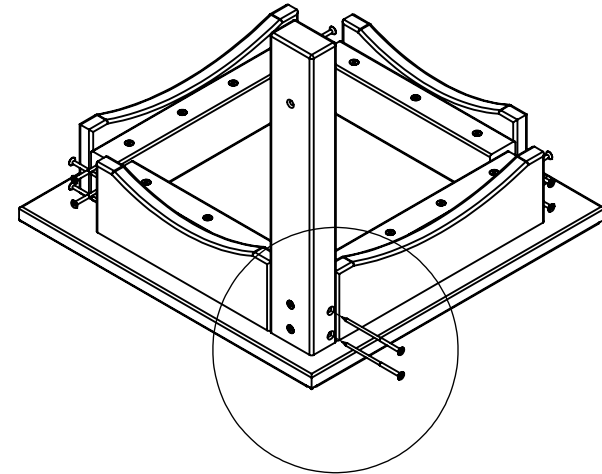
TABLE INSTRUCTIONS

STEP 1

COUNTERSINK
HOLES FACING OUT



STEP 2

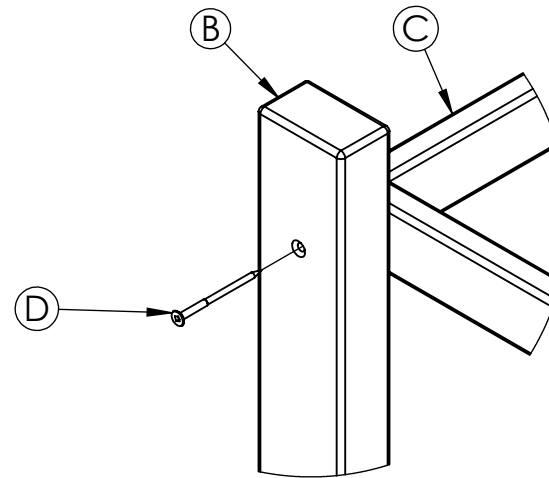
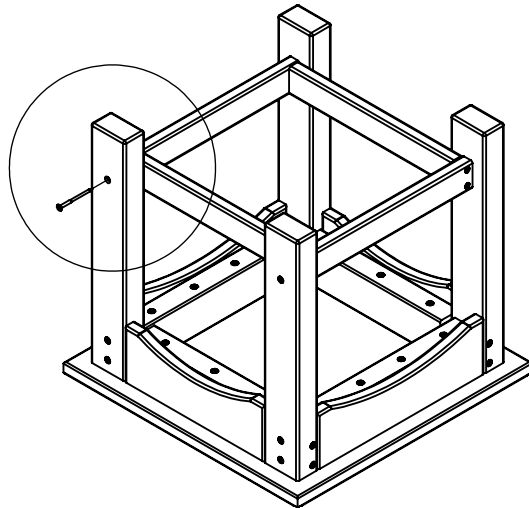
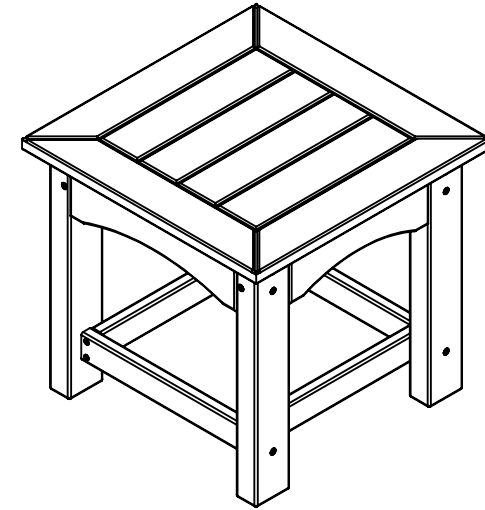
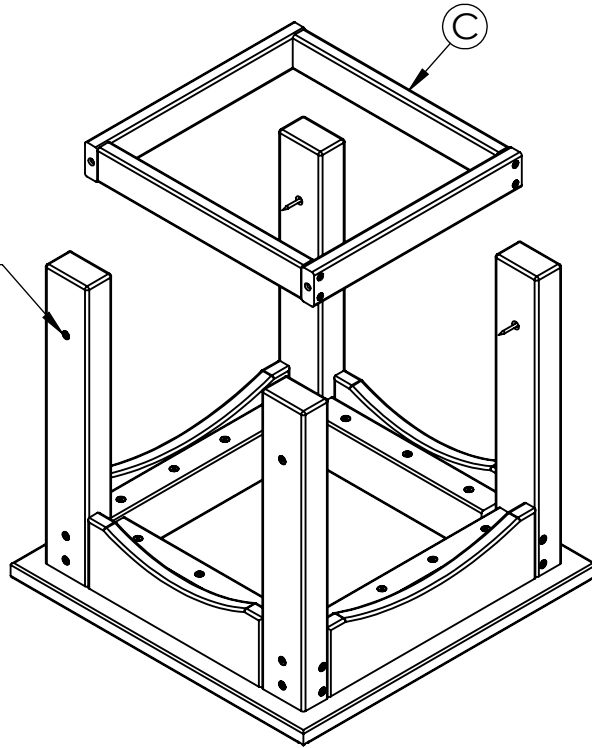


REPEAT STEPS 1 & 2 FOR ALL LEGS

TABLE INSTRUCTIONS

STEP 3

COUNTERSINK PILOT HOLES FACING OUT



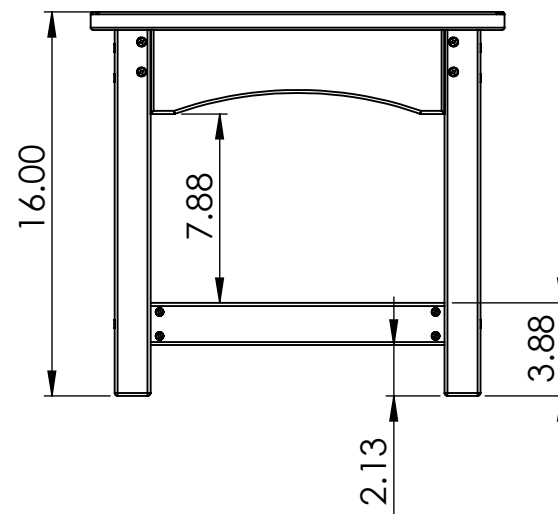
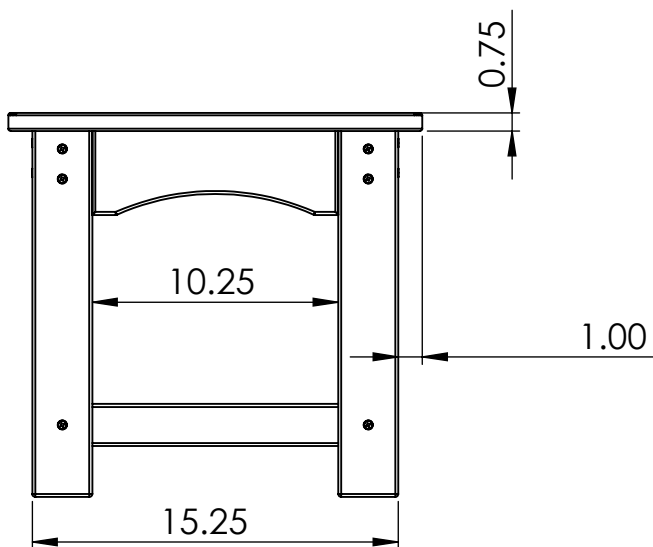
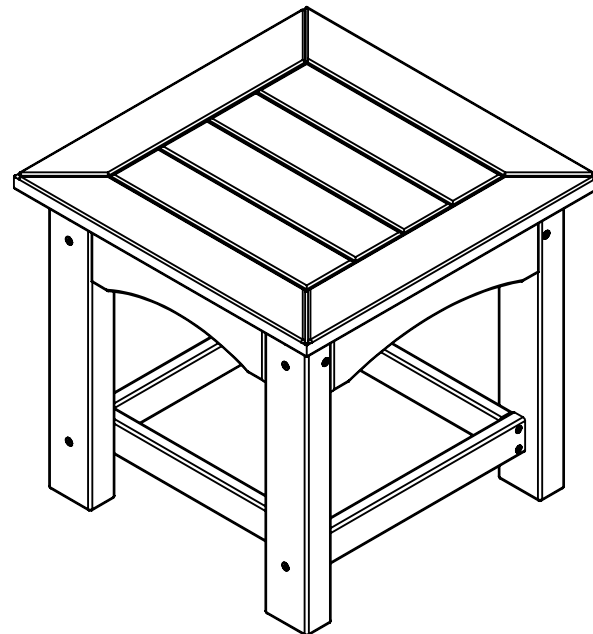
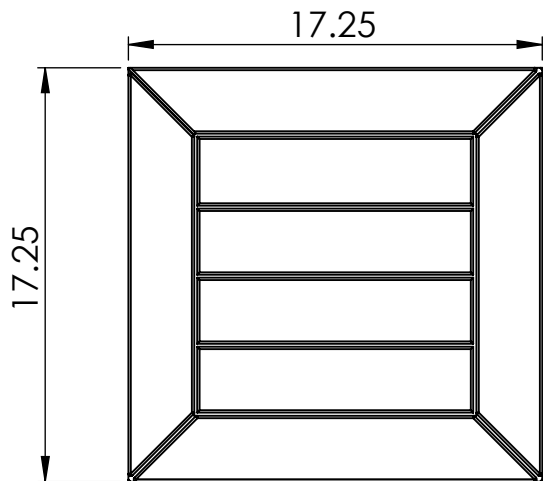
REPEAT FOR ALL LEGS

ASSEMBLY

4/5

TABLE SPECIFICATIONS

CF2030 REV# 1
6-11-2018



CONSTRUCTION MATERIALS:
Recycled Plastic
HARDWARE:
Stainless Steel

ALL DIMENSIONS SHOWN IN INCHES