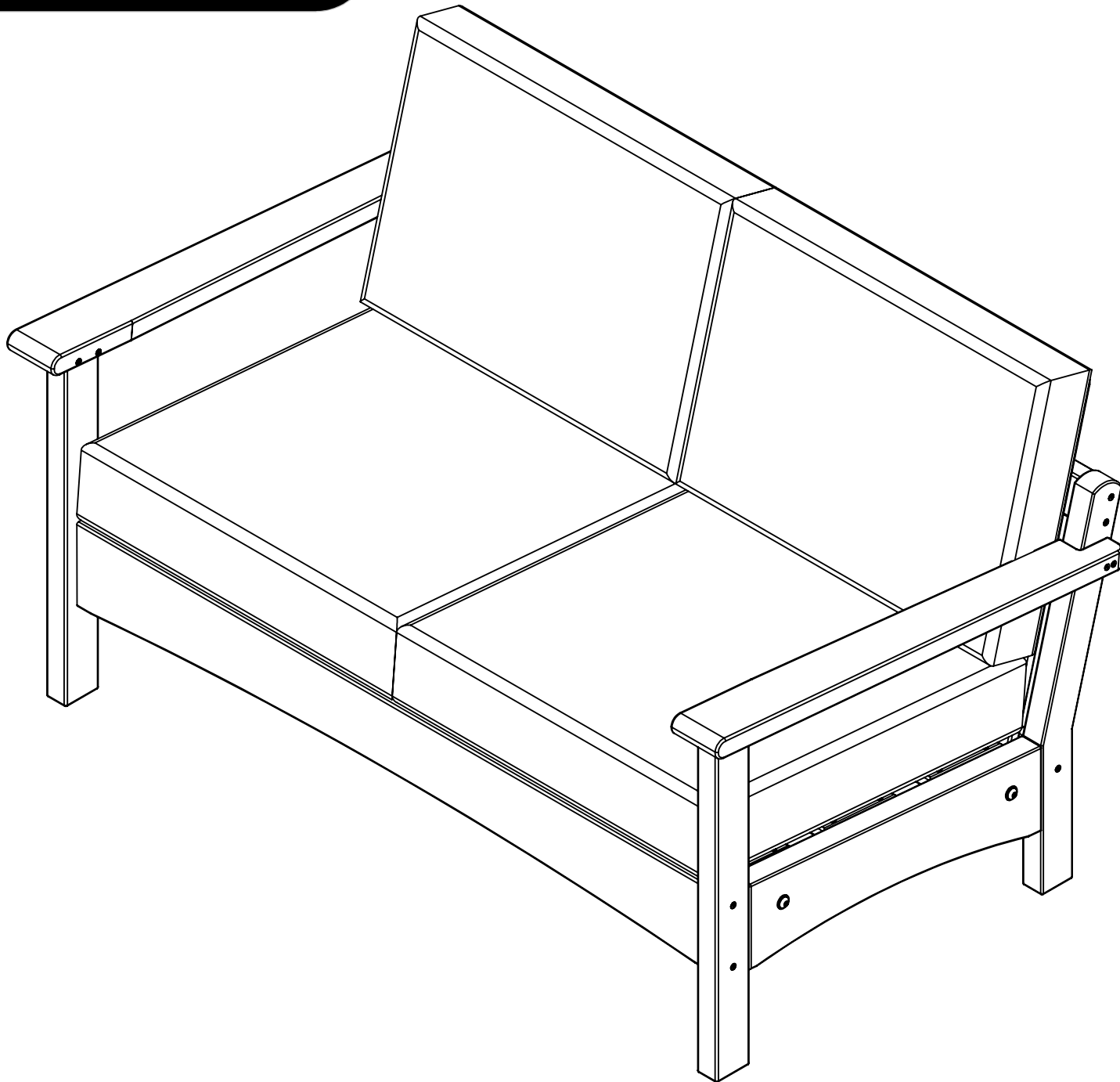
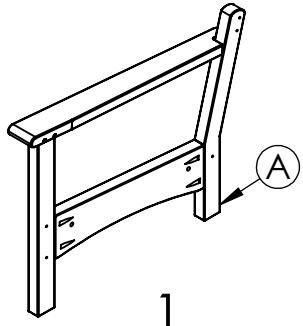


# LOVESEAT INSTRUCTIONS

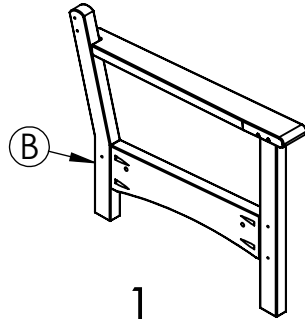
CF2005 REV# 1  
7-23-2018



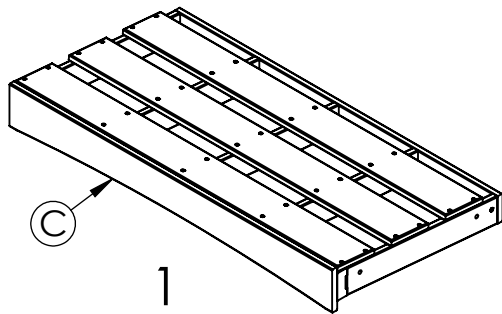
# LOVESEAT INSTRUCTIONS



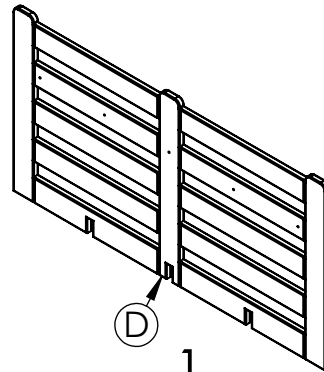
1  
LEFT LEG ASSEMBLY  
ACF-A0040



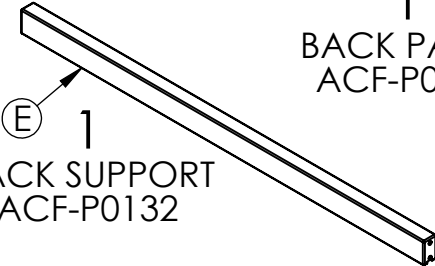
1  
RIGHT LEG ASSEMBLY  
ACF-A0041



1  
SEAT ASSEMBLY  
ACF-A0045



1  
BACK PANEL  
ACF-P0133



1  
BACK SUPPORT  
ACF-P0132

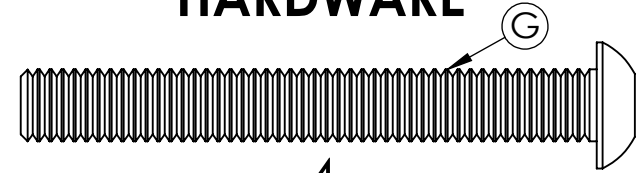


1  
SEAT SUPPORT  
ACF-P0139

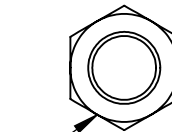
## REQUIRED TOOLS (NOT INCLUDED)

- POWER DRILL
- #2 SQUARE DRIVE
- 7/32 ALLEN WRENCH
- 9/16 WRENCH

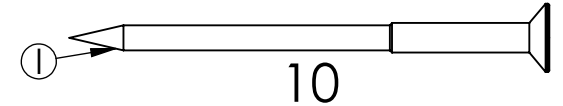
## HARDWARE



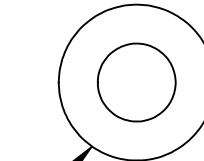
4  
3/8 x 3 BUTTON HEAD SOCKET  
SCBH031C300188



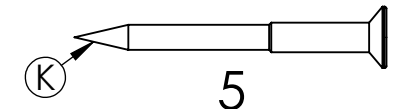
5  
3/8 HEX NUT  
NNYL037CNU188



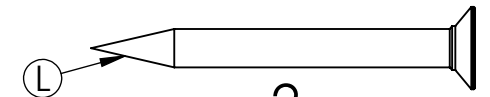
10  
#10 x 2.5 FLAT HEAD SCREW  
DSSF010C250188



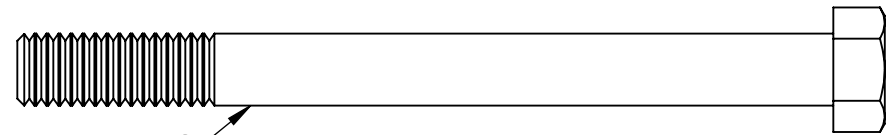
10  
3/8 WASHER  
WUSS037WAS188



5  
#8 x 1.625 FLAT HEAD SCREW  
DSSF008C162188



2  
#12 x 2.0 FLAT HEAD SCREW  
DSSF012C200188



1  
3/8 x 4.25 HEX HEAD BOLT  
HHCS037C450188

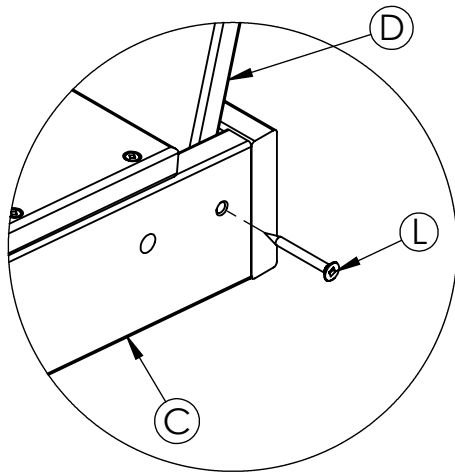
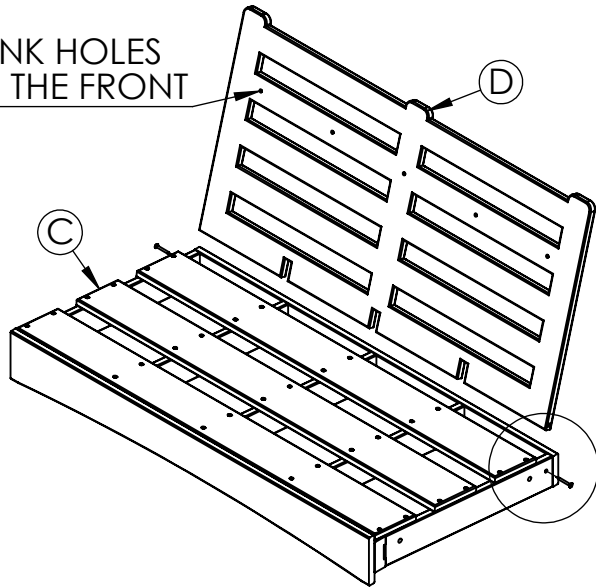
**HARDWARE &  
TOOLS REQUIRED  
FOR ASSEMBLY**

**2/6**

# LOVESEAT INSTRUCTIONS

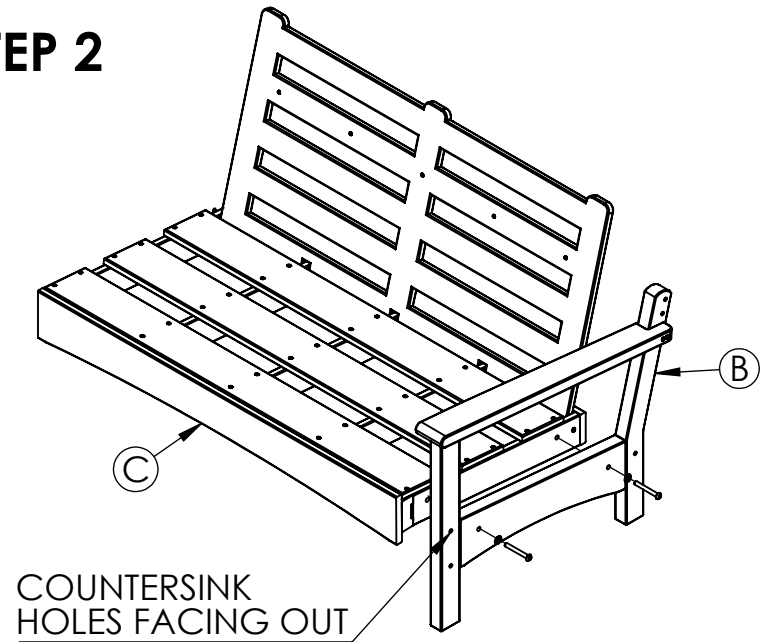
## STEP 1

COUNTERSINK HOLES  
FACING TO THE FRONT

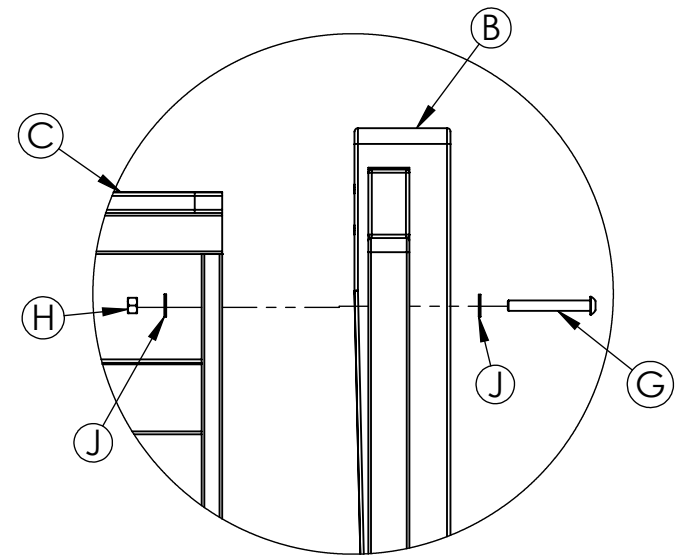


**REPEAT FOR OTHER SIDE**

## STEP 2



COUNTERSINK  
HOLES FACING OUT



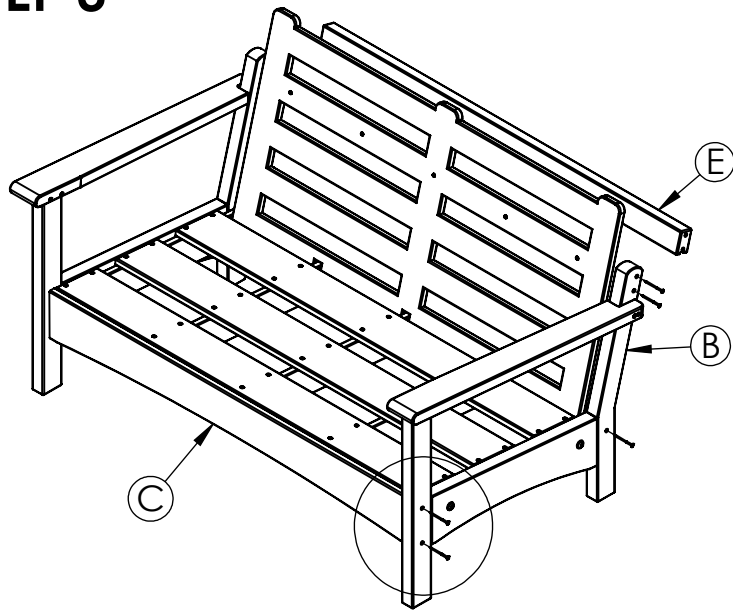
**REPEAT FOR OTHER LEG**

**ASSEMBLY**

**3/6**

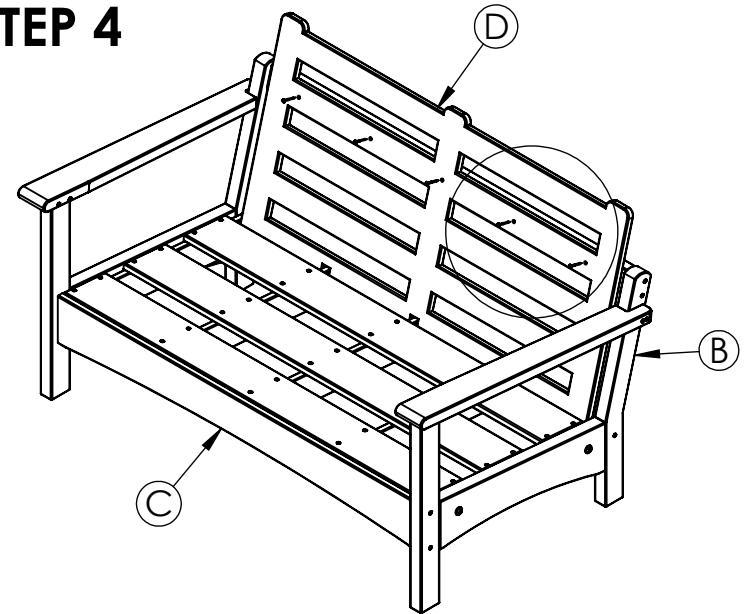
# LOVESEAT INSTRUCTIONS

## STEP 3



**REPEAT FOR ALL COUNTERSINK HOLES IN BOTH LEGS**

## STEP 4



**REPEAT FOR ALL 5 BACK SCREWS**

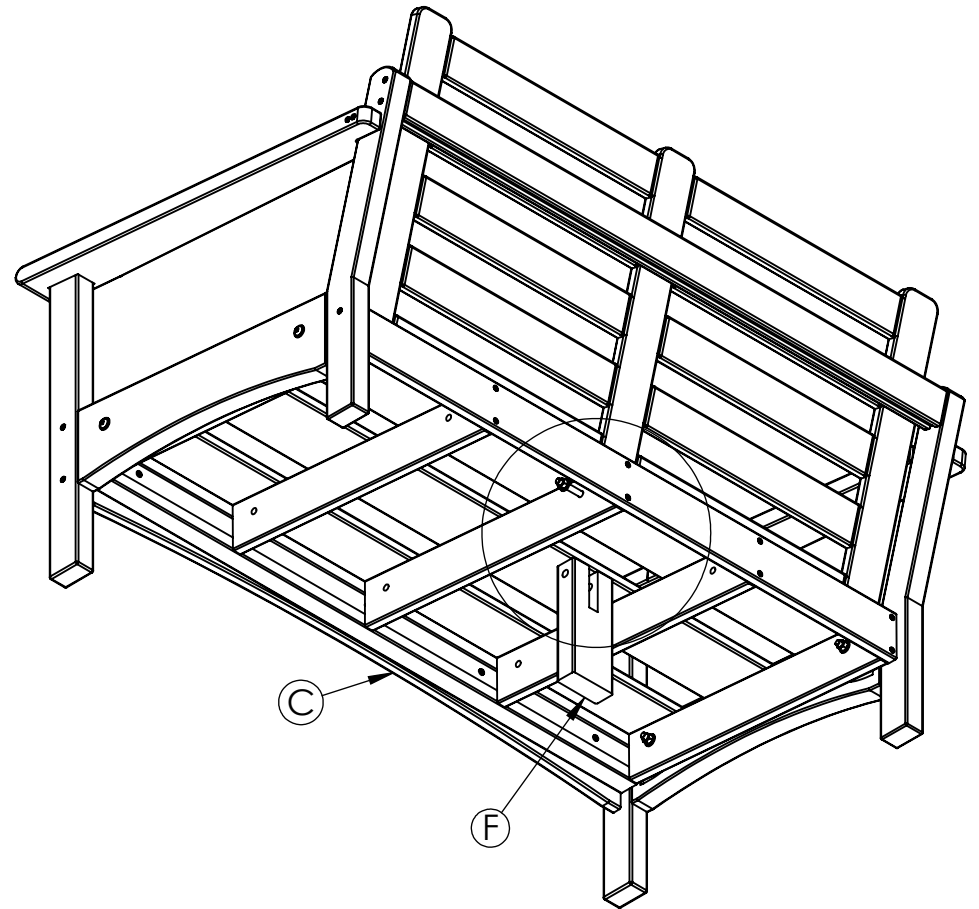
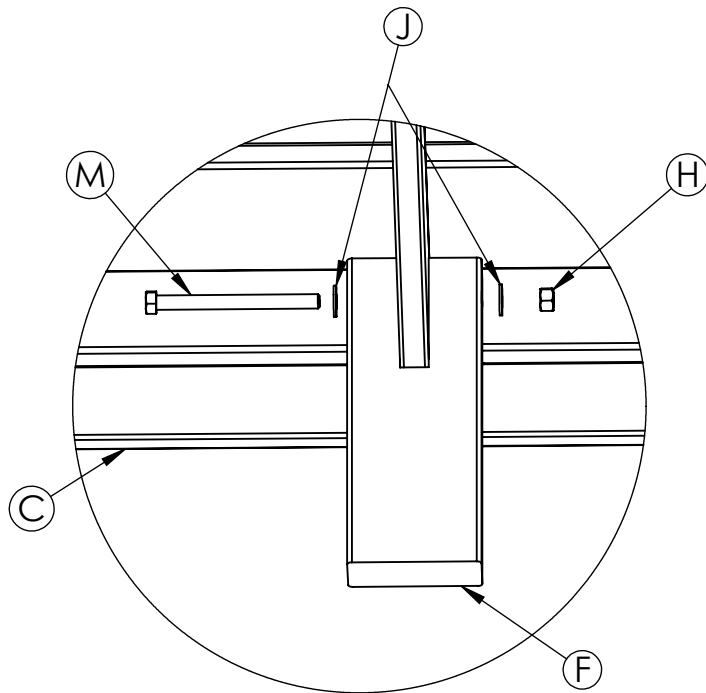
**ASSEMBLY**

**4/6**

# LOVESEAT INSTRUCTIONS

## STEP 5

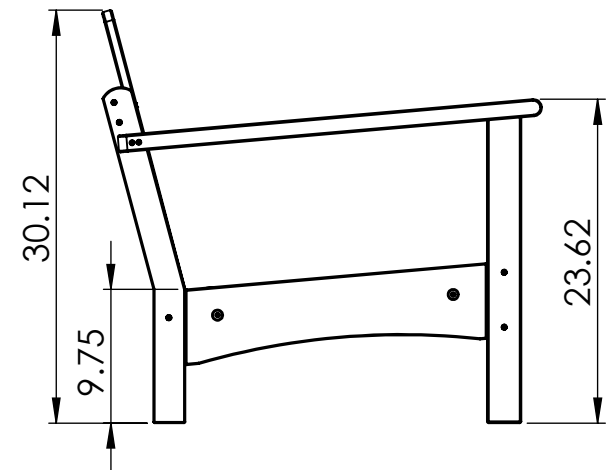
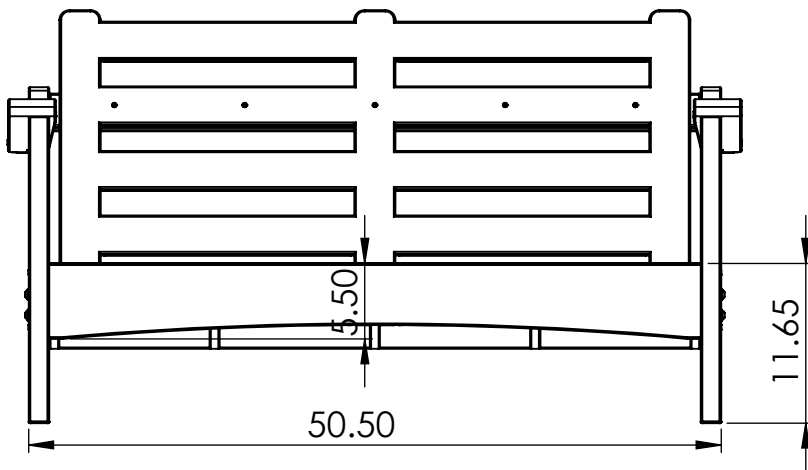
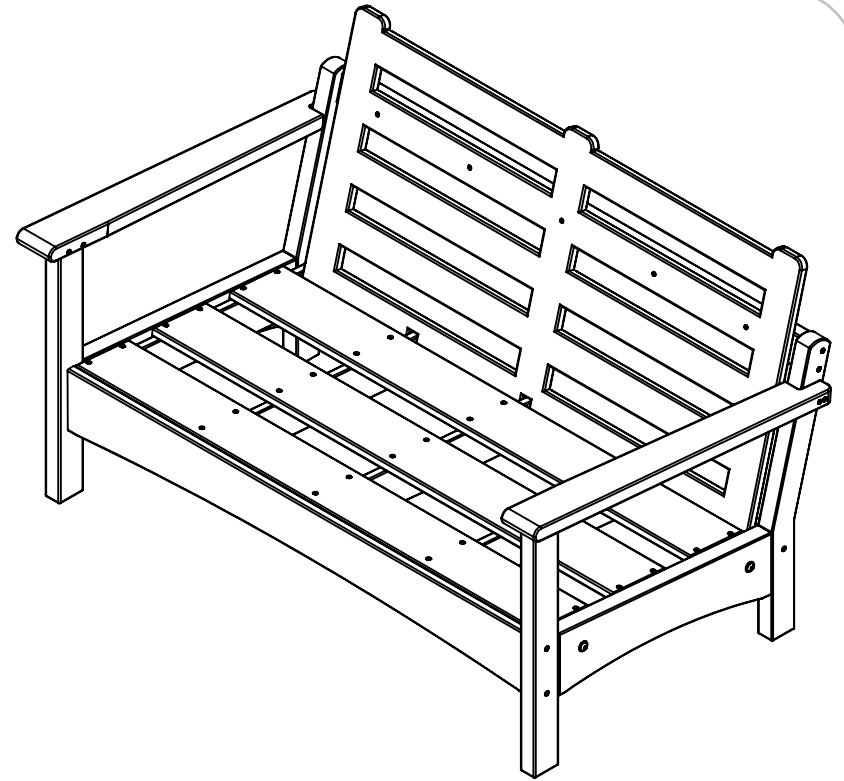
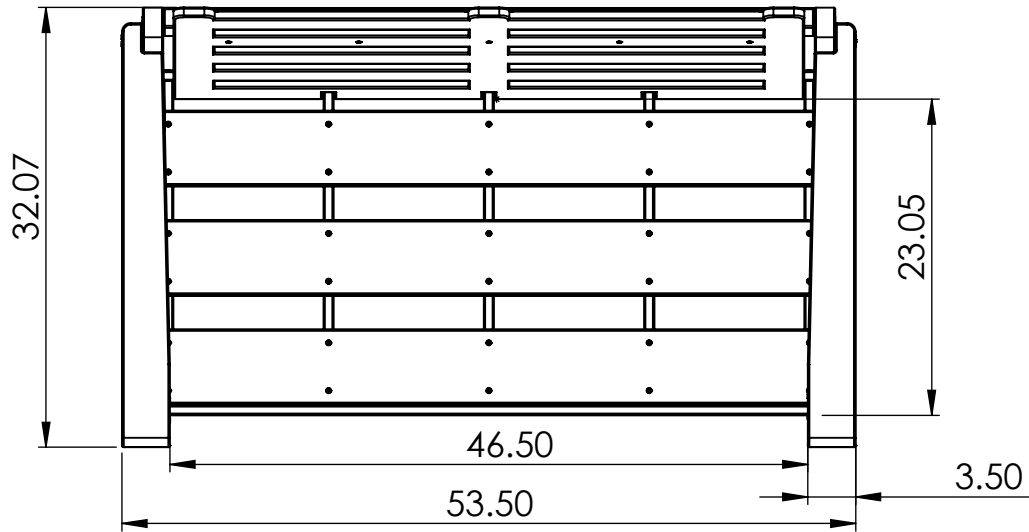
### ATTACHING MIDDLE SEAT SUPPORT



**ATTACH CUSHION WITH STRAPS  
TO SEAT AND BACK**

# LOVESEAT SPECIFICATIONS

CF2005 REV# 1  
7-23-2018



**CONSTRUCTION MATERIALS:**  
Recycled Plastic  
**HARDWARE:**  
Stainless Steel

ALL DIMENSIONS SHOWN IN INCHES