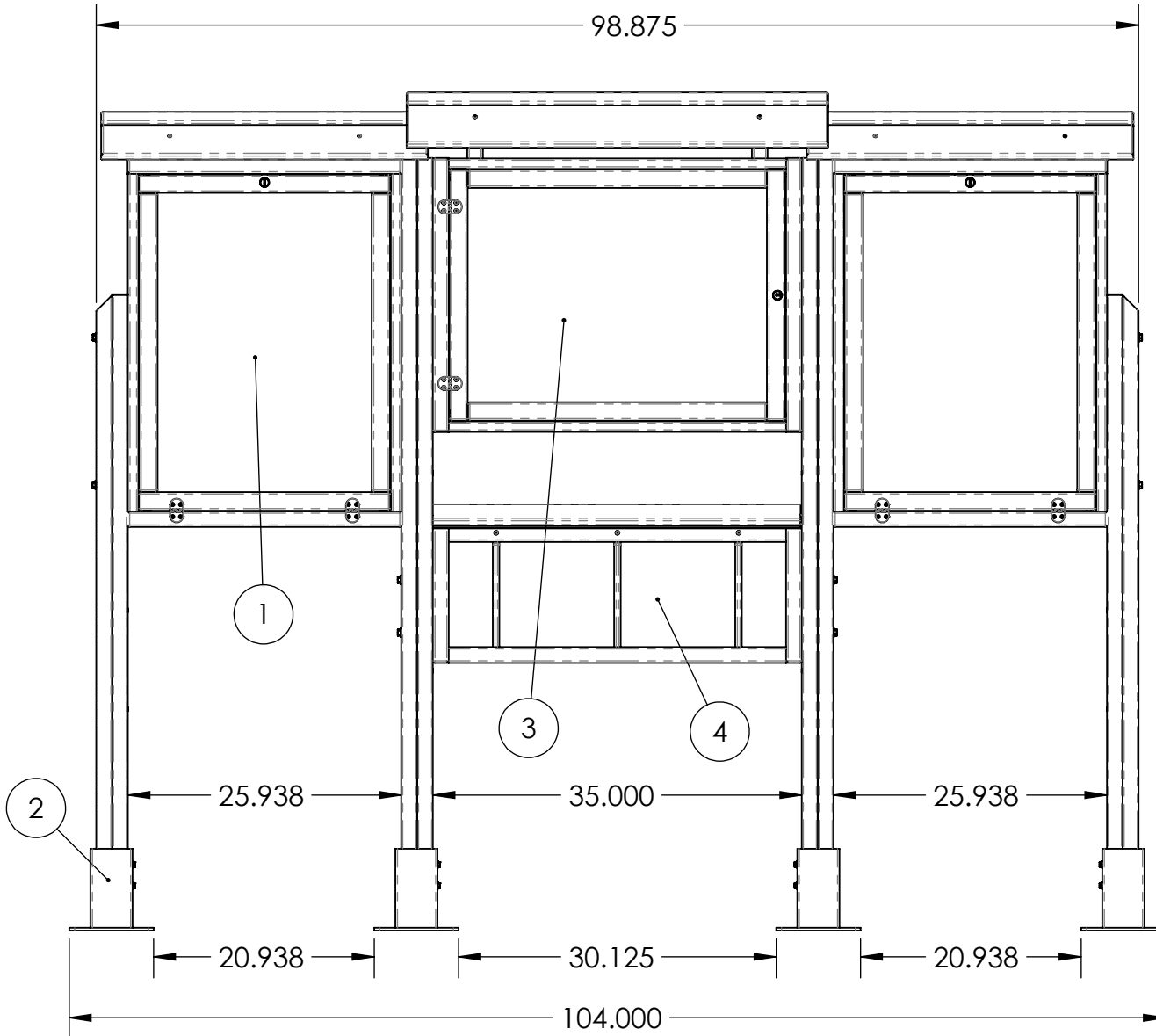
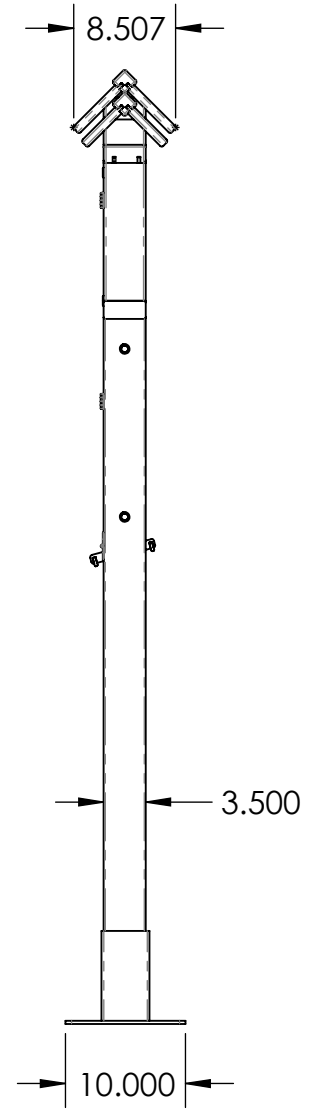


THREE-IN-LINE KIOSK SURFACE MOUNT

KMC2615
Rev #1 7-20-2020



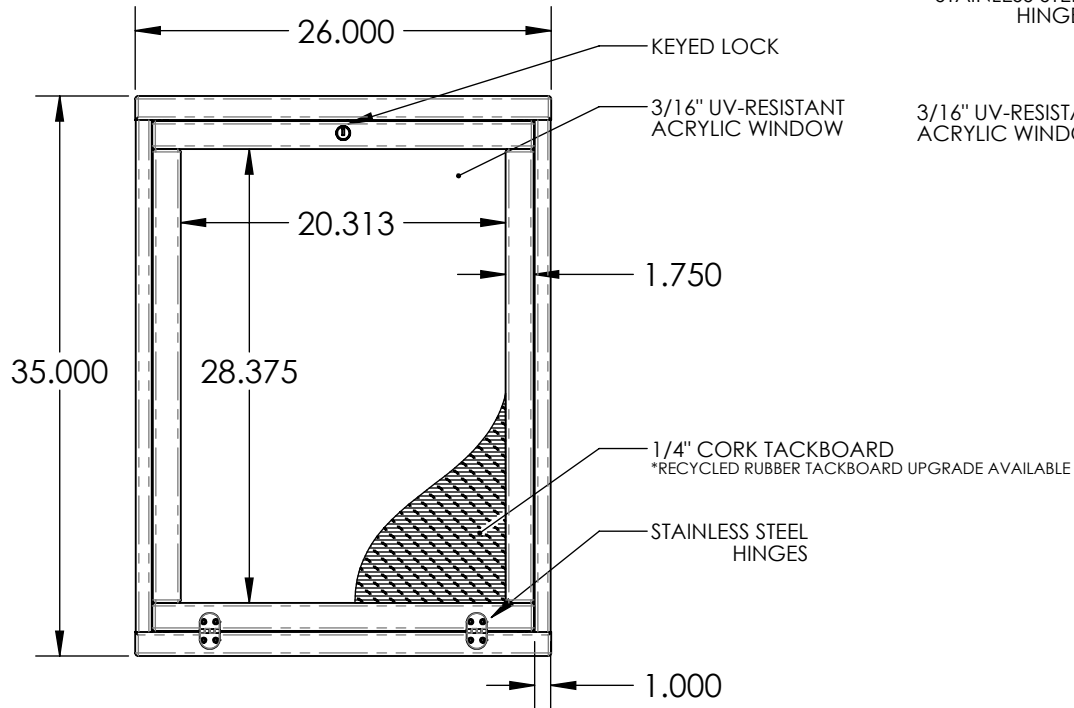
FRONT



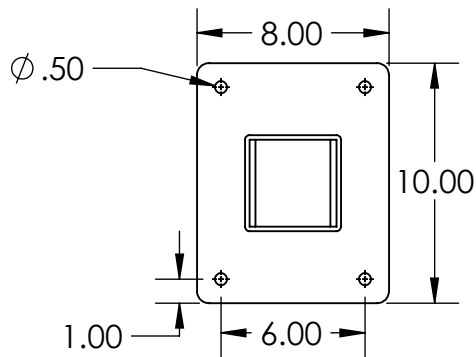
SIDE

THREE-IN-LINE KIOSK INGROUND MOUNT

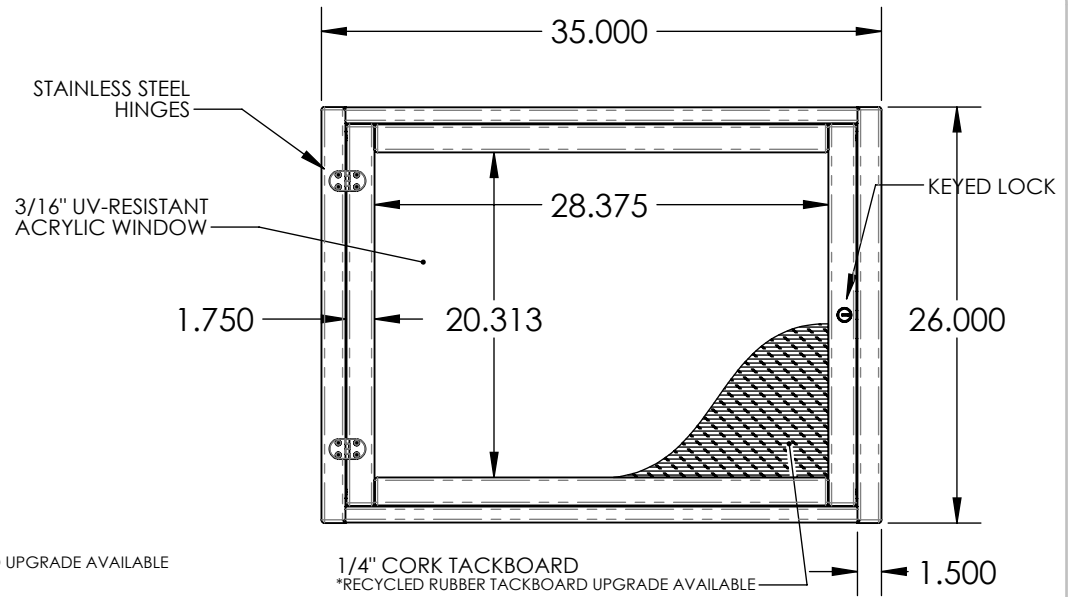
KMC2615
Rev #1 7-20-2020



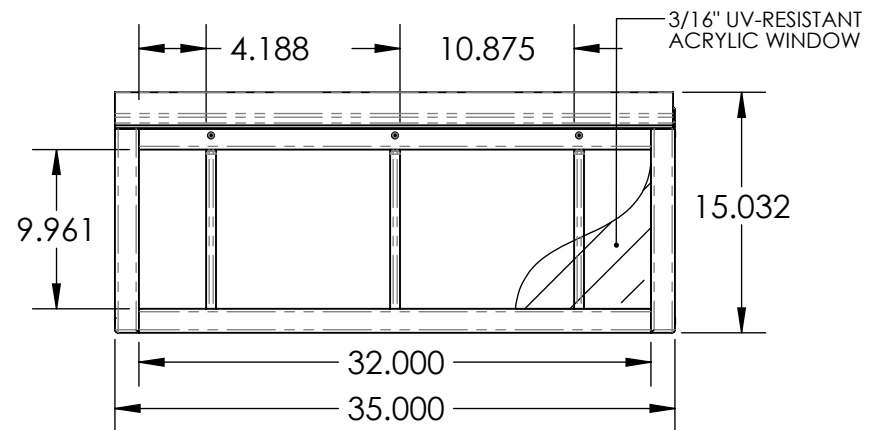
1 MESSAGE CENTER DETAILS



2 MOUNTING DETAILS



3 MESSAGE CENTER DETAILS



4 LITERATURE RACK DETAILS

HARDWARE: STAINLESS STEEL
MATERIAL: RECYCLED PLASTIC, ACRYLIC, 1/4" CORK