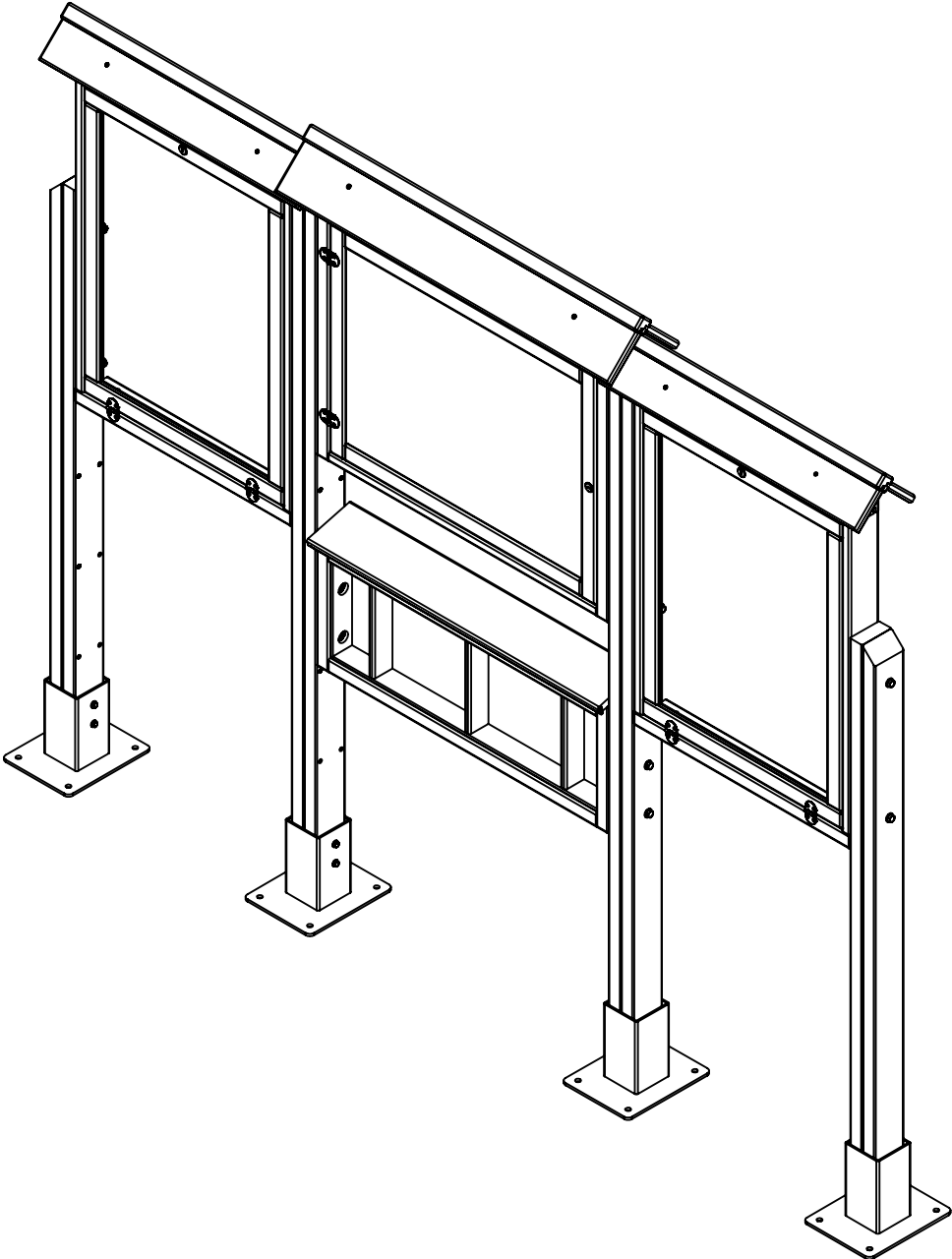
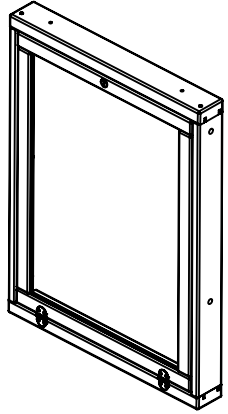


**3-IN-LINE WITH  
LITERATURE RACK  
ASSEMBLY INSTRUCTIONS**

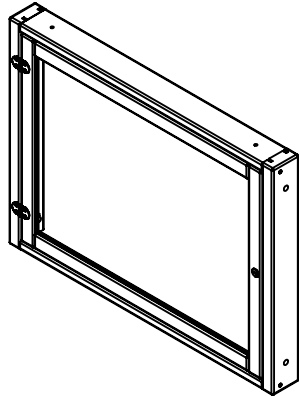
KMC2615  
Rev #1 7-20-2020



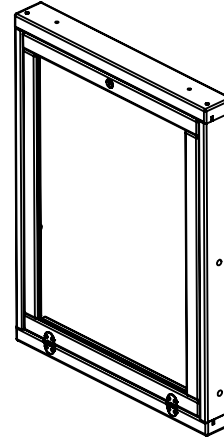
# 3-IN-LINE WITH LITERATURE RACK ASSEMBLY INSTRUCTIONS



LEFT CASE ASSEMBLY  
X1  
AMC-A0098



HORIZONTAL CASE ASSEMBLY  
X1  
AMC-A0095



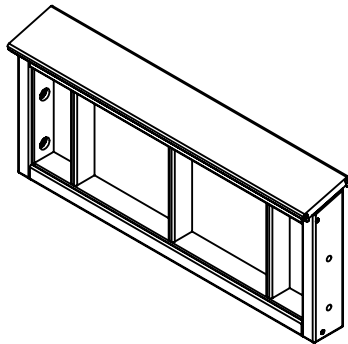
RIGHT CASE ASSEMBLY  
X1  
AMC-A0099



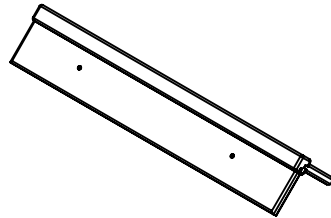
OUTER POST  
X2  
AMC-P0100



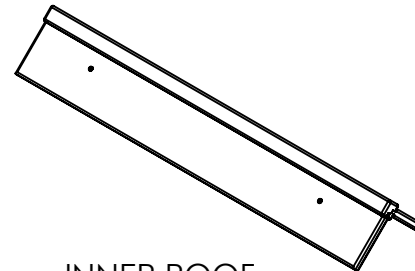
INNER POST  
X2  
AMC-P0097



LITERATURE RACK  
X1  
AMC9005

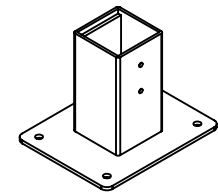


OUTER ROOF  
X2  
AMC-A0043



INNER ROOF  
X1  
AMC-A0096

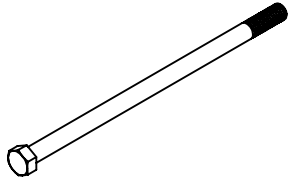
SURFACE MOUNT  
X4  
AMC9184



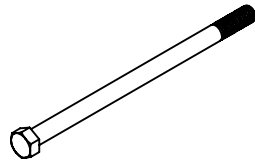
**COMPONENTS  
REQUIRED FOR  
ASSEMBLY**

**1/8**

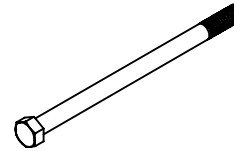
# 3-IN-LINE WITH LITERATURE RACK ASSEMBLY INSTRUCTIONS



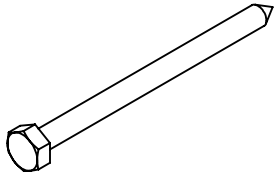
3/8" X 9.00" HEX HD BOLT  
X4  
F0001



3/8" X 6.00" HEX HD BOLT  
X4  
F0002



3/8" X 5.00" HEX HD BOLT  
X4  
F0003



1/4" X 3.50" HEX LAG SCREW  
X6  
F0004



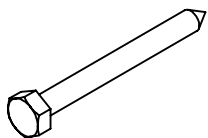
3/8" FLAT WASHER  
X16  
F0005



1/4" FLAT WASHER  
X14  
F0006



3/8" NYLOCK NUT  
X8  
F0007



1/4" X 1.50" HEX LAG SCREW  
X8  
F0008

## REQUIRED TOOLS (NOT INCLUDED)

- 1 - 9/16" SOCKET
- 1 - 7/16" SOCKET
- 1 - SCREW GUN
- 1 - 9/16" WRENCH
- 1 - POST HOLE DIGGER

BEFORE INSTALLING PRODUCT, PLEASE CHECK LOCAL CODES TO ENSURE PROPER INSTALLATION. THESE INSTRUCTIONS ARE A GENERAL GUIDELINE ON HOW TO INSTALL PRODUCT. IF UNSURE ON HOW TO INSTALL, PLEASE CONTACT A PROFESSIONAL.

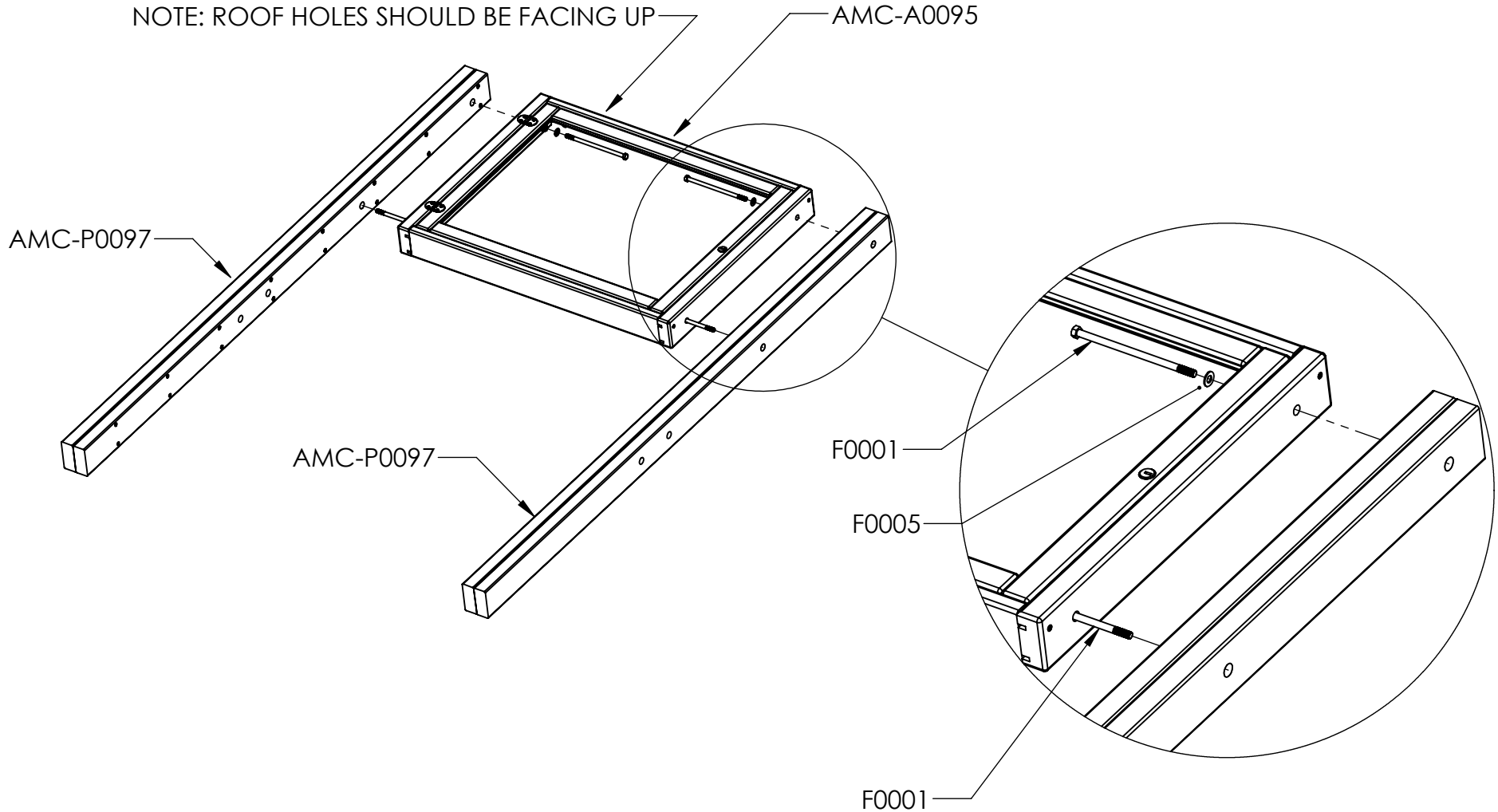
**INCLUDED HARDWARE &  
REQUIRED TOOLS FOR  
ASSEMBLY**

**2/8**

# 3-IN-LINE WITH LITERATURE RACK ASSEMBLY INSTRUCTIONS

NOTE: SOME COMPONENTS HAVE BEEN REMOVED FOR CLARITY.

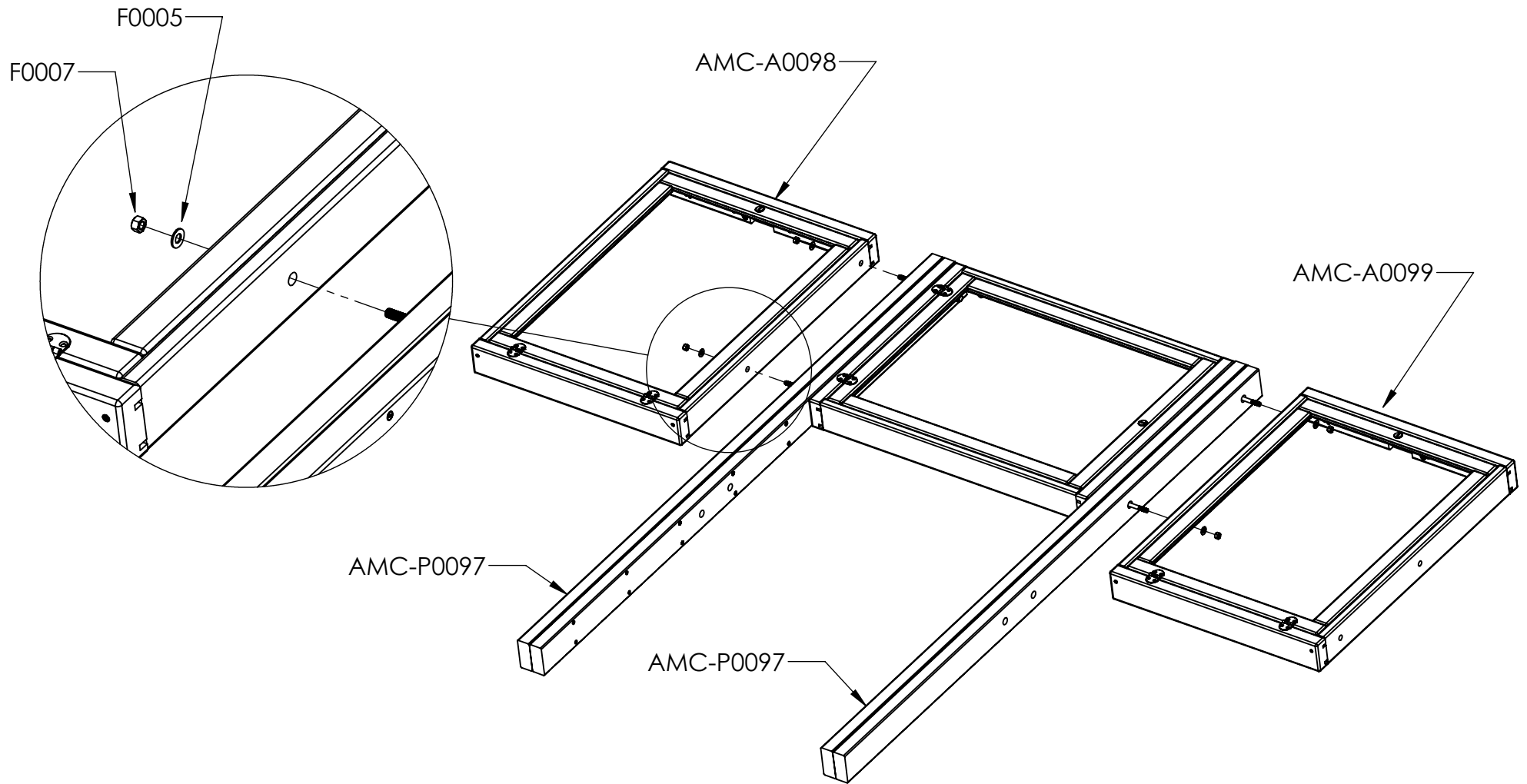
NOTE: ROOF HOLES SHOULD BE FACING UP



BEFORE INSTALLING PRODUCT, PLEASE CHECK LOCAL CODES TO ENSURE PROPER INSTALLATION. THESE INSTRUCTIONS ARE A GENERAL GUIDELINE ON HOW TO INSTALL PRODUCT. IF UNSURE ON HOW TO INSTALL, PLEASE CONTACT A PROFESSIONAL.

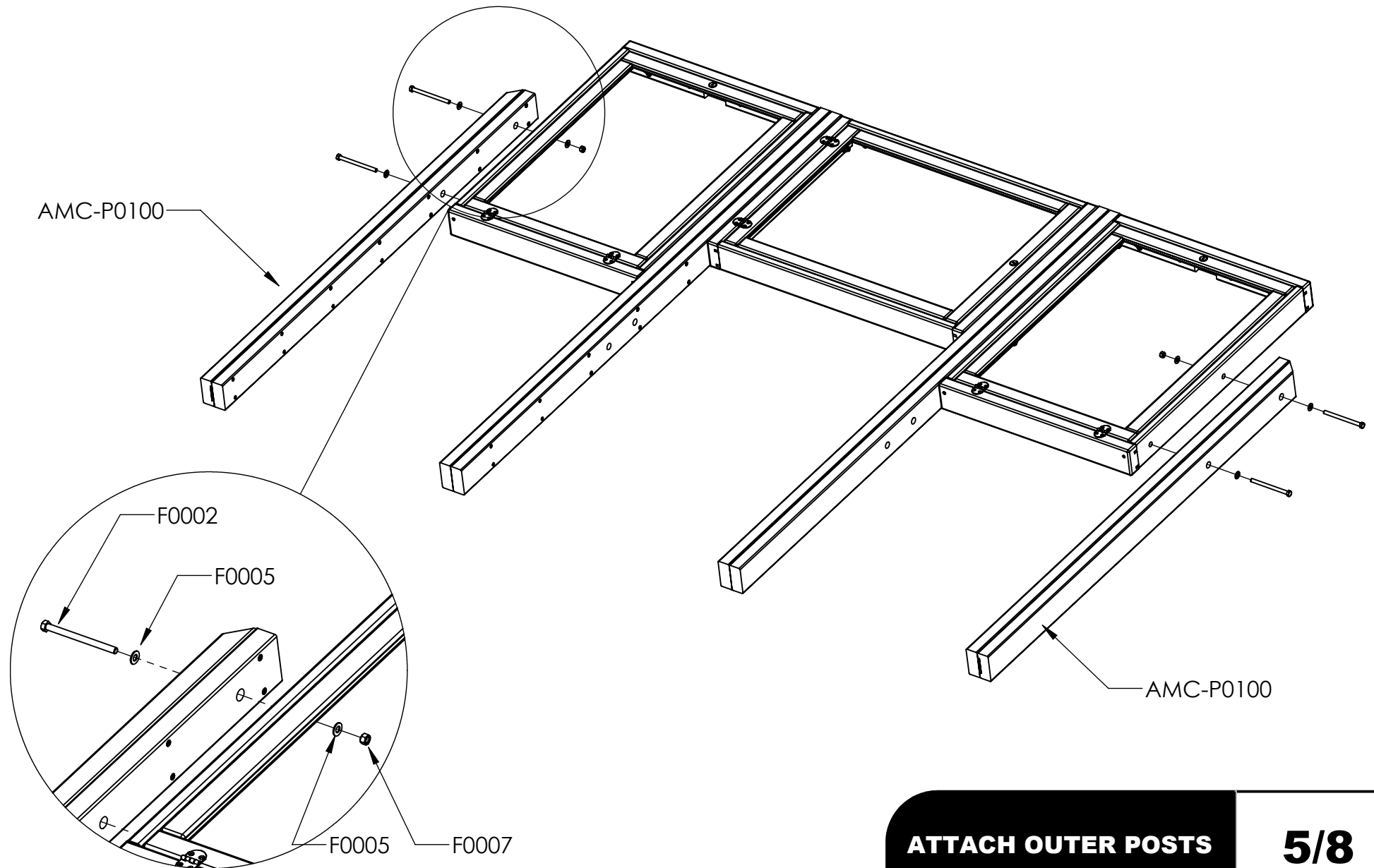
# 3-IN-LINE WITH LITERATURE RACK ASSEMBLY INSTRUCTIONS

NOTE: SOME COMPONENTS HAVE BEEN REMOVED FOR CLARITY.



# 3-IN-LINE WITH LITERATURE RACK ASSEMBLY INSTRUCTIONS

NOTE: SOME COMPONENTS HAVE BEEN REMOVED FOR CLARITY.

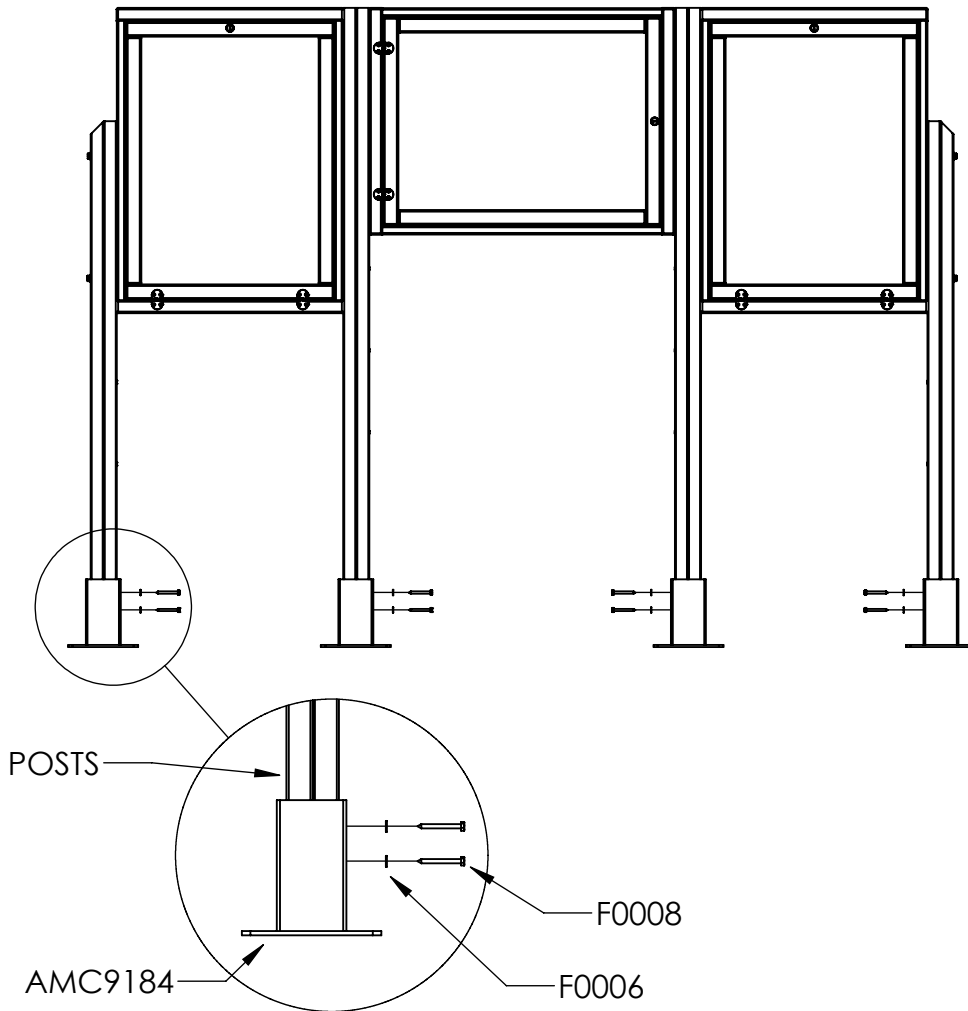


**ATTACH OUTER POSTS**

**5/8**

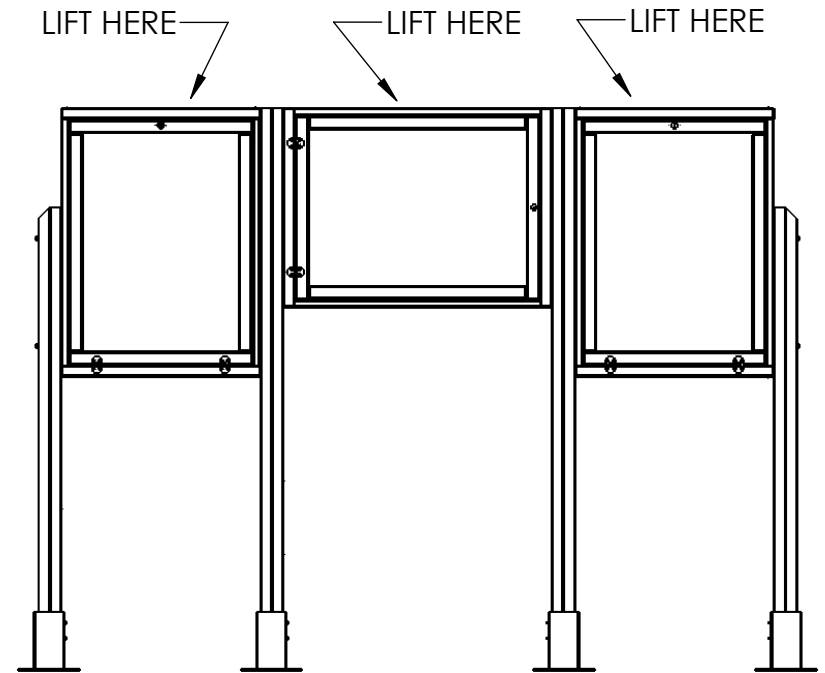
# 3-IN-LINE WITH LITERATURE RACK ASSEMBLY INSTRUCTIONS

ATTACH THE SURFACE MOUNT BASES TO THE ASSEMBLY

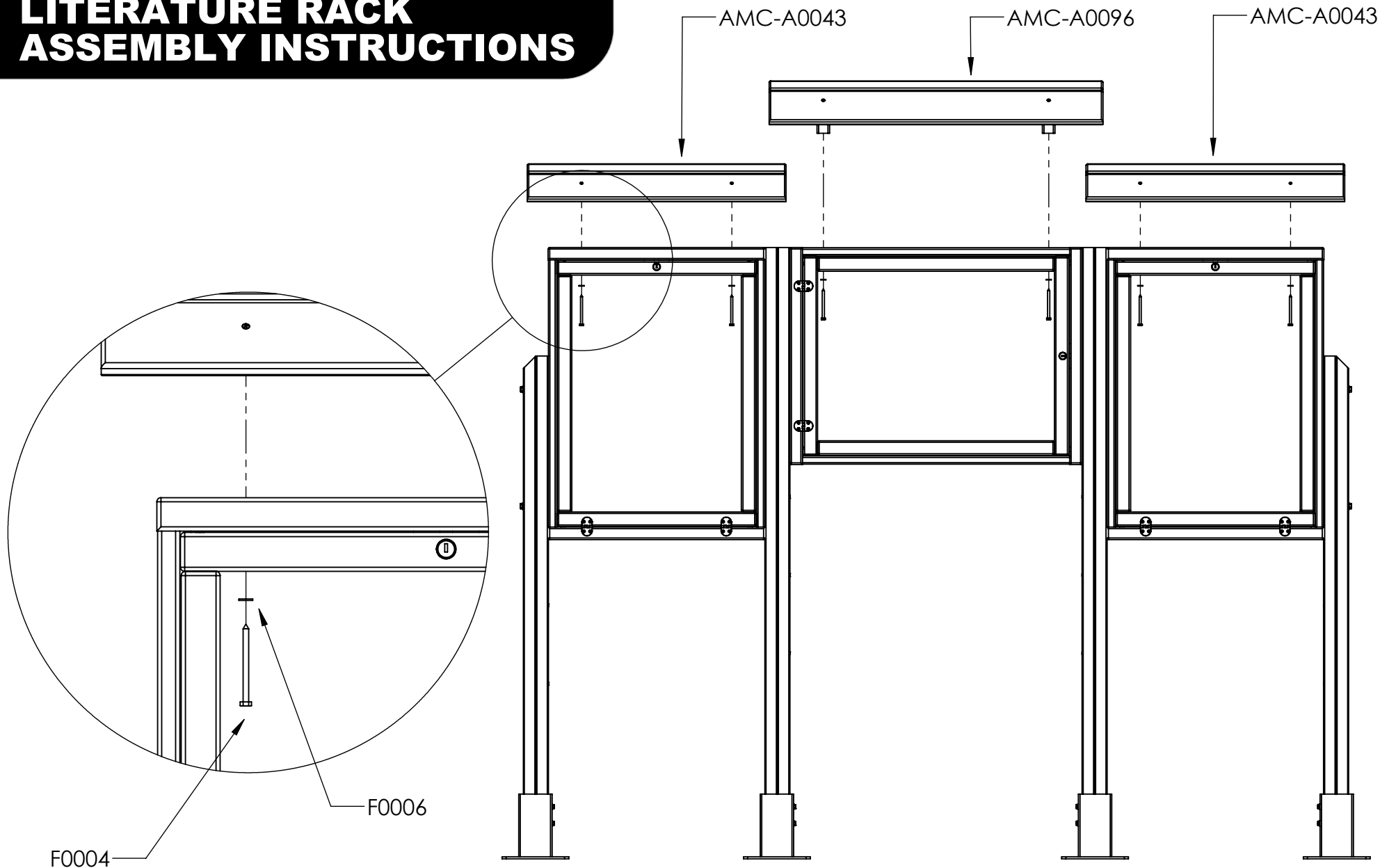


BEFORE INSTALLING PRODUCT, PLEASE CHECK LOCAL CODES TO ENSURE PROPER INSTALLATION. THESE INSTRUCTIONS ARE A GENERAL GUIDELINE ON HOW TO INSTALL PRODUCT. IF UNSURE ON HOW TO INSTALL, PLEASE CONTACT A PROFESSIONAL.

WITH HELP FROM OTHER PEOPLE, CAREFULLY TILT MESSAGE CENTER ASSEMBLY UPRIGHT. LEVEL AS NECESSARY AND ATTACH SURFACE MOUNT BASES SECURELY INTO GROUND.



# 3-IN-LINE WITH LITERATURE RACK ASSEMBLY INSTRUCTIONS





# 3-IN-LINE WITH LITERATURE RACK ASSEMBLY INSTRUCTIONS

