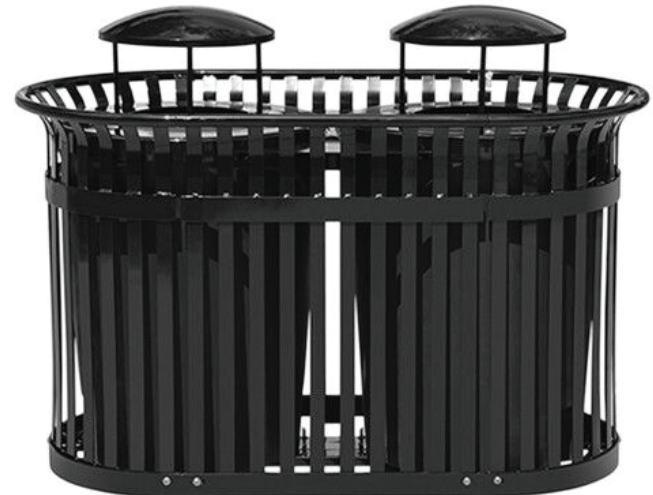
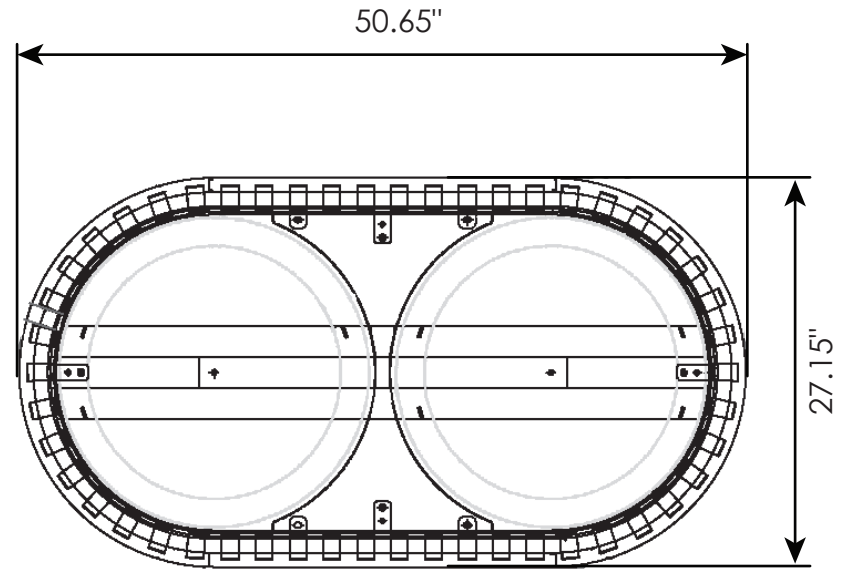
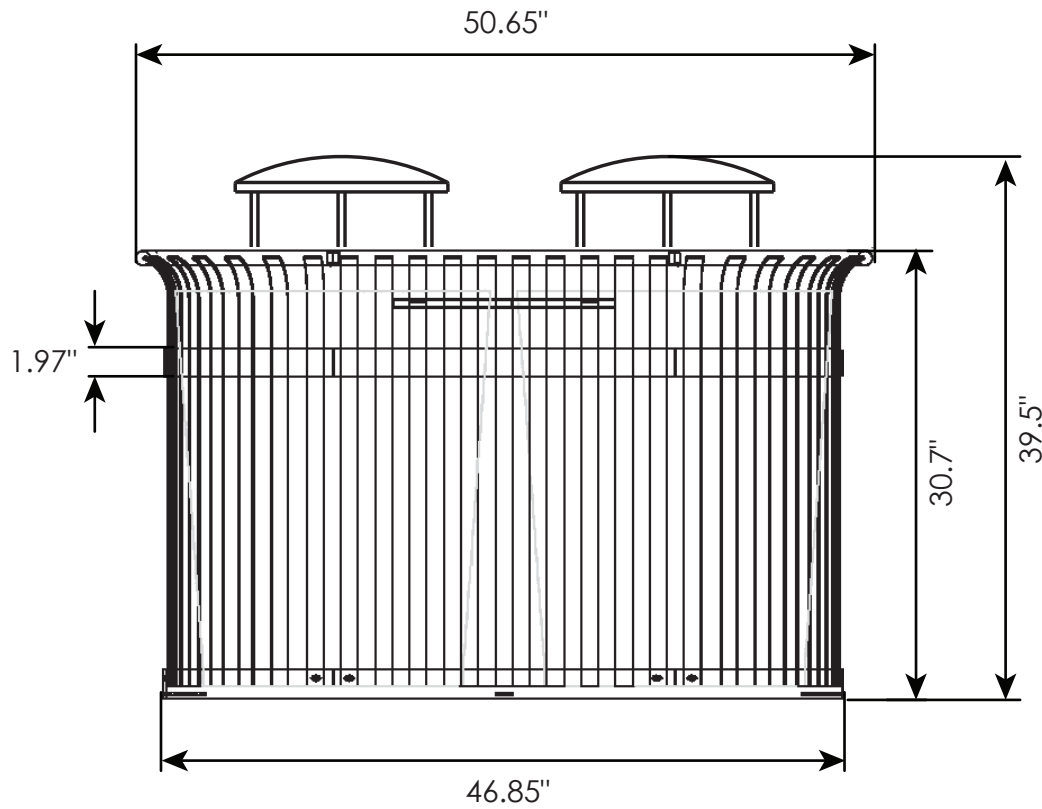


DOUBLE STEEL SLAT WASTE RECEPTACLE



TOTAL WEIGHT: 171 lbs

- NOTES:**
- 1) Material: Solid Steel Slats
 - 2) Coating: Powder-coated
 - 3) Two 32 gallon plastic liners
 - 4) Two lift-off, cable-secured steel lids