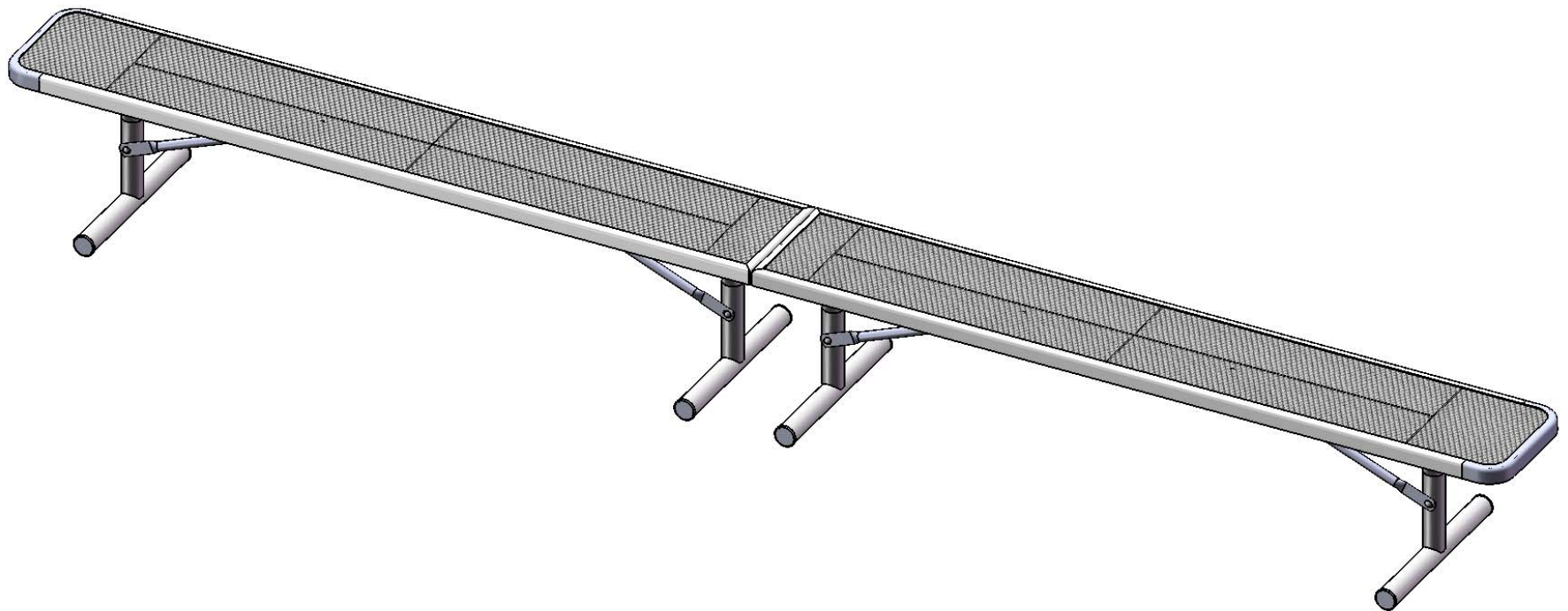


15 Ft. Portable Bench

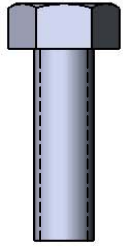
Assembly Instructions & Specifications



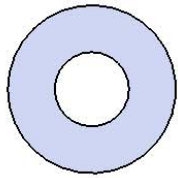
SAFETY WARNINGS & EQUIPMENT INSPECTION

- Owners and installers please note these safety warnings and make use of this checklist on a regular basis.
- Follow installation instructions when erecting equipment.
- Ground surfaces around equipment should be restored as needed. Concrete footings should never be exposed. Surface depth should comply with ASTM and CPSC specifications.
- Check for and repair damage caused by wear or vandalism, a major factor in injury causing situations.
- All protruding bolts should be covered or cut off and finished smooth. Sharp edges on pipes should be capped or removed. Check for bent, broken, or severely worn pipe, and replace.
- All equipment should be free of rust and repainted whenever necessary to deter rusting.
- We provide our customers with layout sheets and installation instructions. Please keep on file the specifications sheet that contains the listing of every part used.
- Never add components not intended for use with this product.
- Regular maintenance is necessary in this and all park and recreational equipment to insure the safety of the user.
- Note: Proper maintenance of equipment requires regular tightening of all bolts, nuts, and setscrews.
- Note: Regular checking of all parts, castings, etc. should be made. If a part is broken or worn, it should be replaced immediately.
- Check to be sure all fittings are tight and that bars and pipes do not move.
- Replace all worn S-hooks. S-hooks must be completely closed. Failure to close S-hooks can result in serious injury to the user. NEVER reuse S-hooks.
- Test for free movement of swing hanger and other moving attached parts.
- Check for worn chains and replace them.
- A soft resilient surface should be placed under all swings extending at least twice the height of the top rail both front and back.

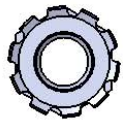
HARDWARE



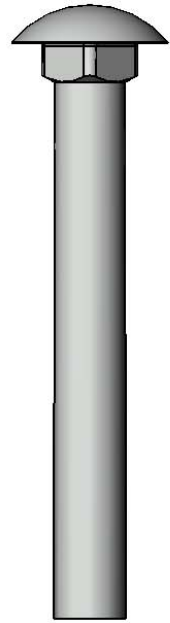
5/16" x 1"
Machine Bolt



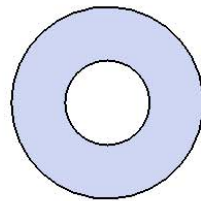
5/16" Washer



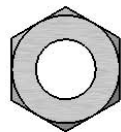
5/16" Kep Nut



3/8" x 3"
Carriage Bolt

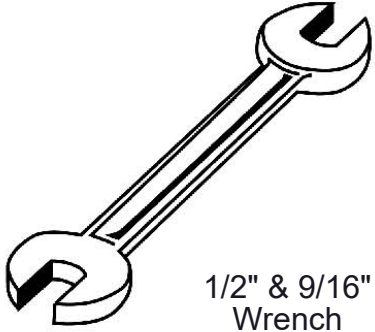


3/8" Washer



3/8" Hex Nut

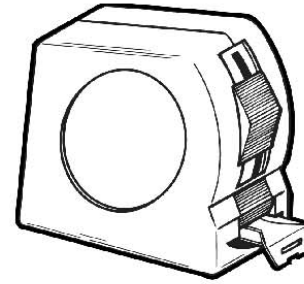
TOOLS REQUIRED



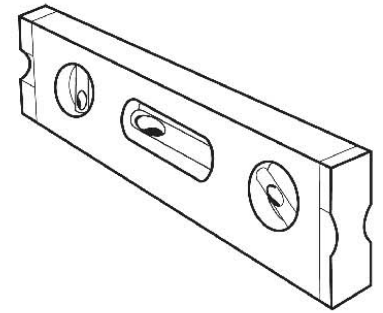
1/2" & 9/16"
Wrench



1/2" & 9/16"
Socket Wrench



Tape Measure



Level

15 Ft. Portable Bench

PRODUCT SPECIFICATIONS

DELUXE SEAT PORTABLE BENCH WITHOUT BACK

Seats & Back: 11 gauge die formed angle frame 1"x1-7/8" with 3" radius corners. 3/4" #9 steel expanded metal. 7 gauge x 1-1/2" flat bar center support and mounting bracket understructure. Electrically MIG welded.

Coating: Oven fused functionalized polyethylene copolymer-based thermoplastic. Fluidized bed coating application with superior mechanical performance, impact resistance and UV-stability.

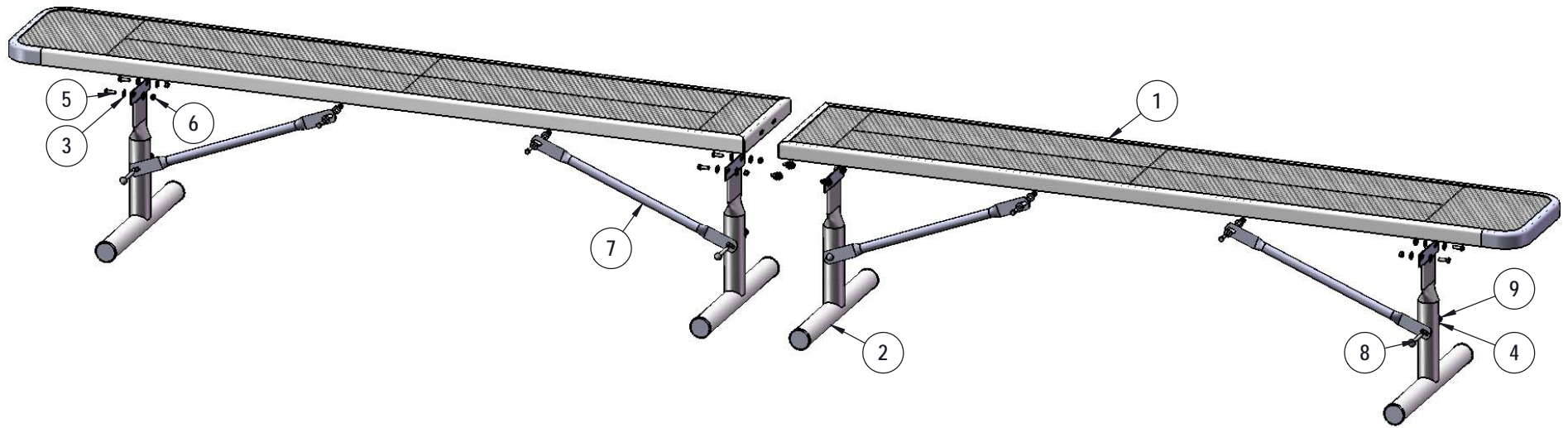
Frame: 2-3/8" O.D. x 12 gauge pre-galvanized structural steel tubing. Tube ends are pre-galvanized steel capped. Seat mounting points are 7 gauge x 1-1/2" die stamped steel flat bar. Cross braces are 1" O.D. x 16 gauge pre-galvanized structural steel tubing. All electrically MIG welded.

Frame Coating: Steel is sandblasted to near white condition. Coated with zinc rich epoxy primer and top coated with electrostatic powder coat, oven cured.

Hardware: All stainless steel hardware fasteners.

Dimensions: 15' bench portable without back. Deluxe seats 15" wide x 180" long. Seat height is 18-1/4". Total depth of bench is 22".

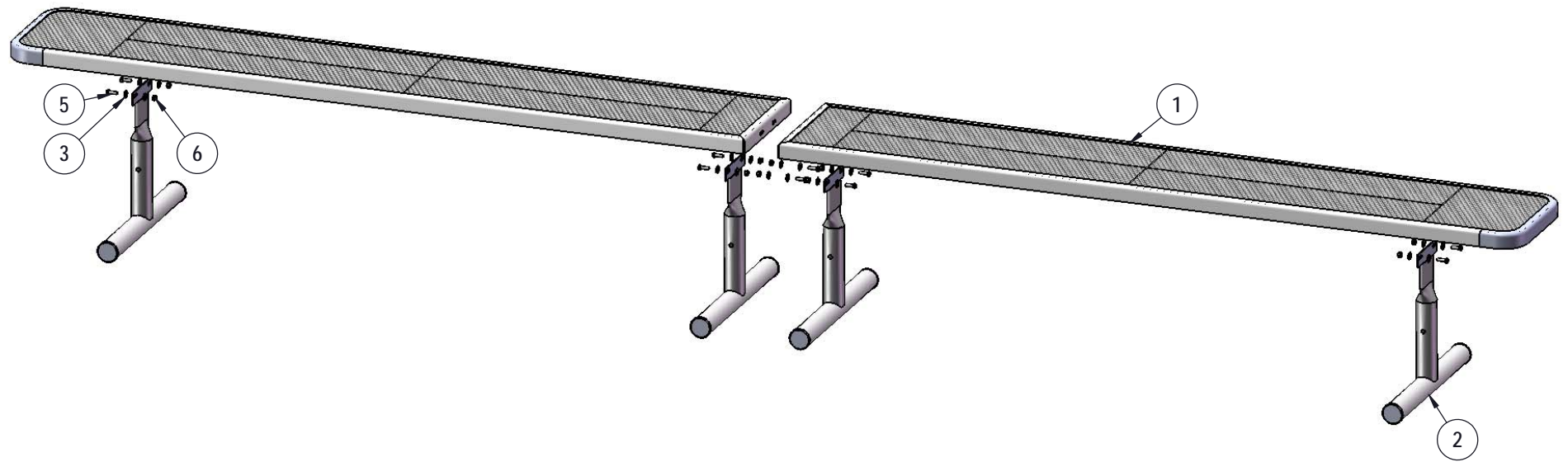
COMPONENTS



ITEM NO.	PartNo	DESCRIPTION	QTY
1	T-DV90-S	15' Deluxe Expanded Seat (1/2)	2
2	P-V942P	942P Vinyl Leg	4
3	33-02-0007	5/16" SS Washer	28
4	33-02-0008	3/8" Flat Washer (SS)	4
5	33-05-0029	5/16" x 1" Machine Bolt (SS)	14
6	33-03-0012	5/16" Kep Nut (SS)	14
7	P-01-04-0129	26 3/4" Brace	4
8	33-06-0058	3/8" x 3" Carriage Bolt (SS)	4
9	33-01-0018	3/8" Hex Nut (SS)	4

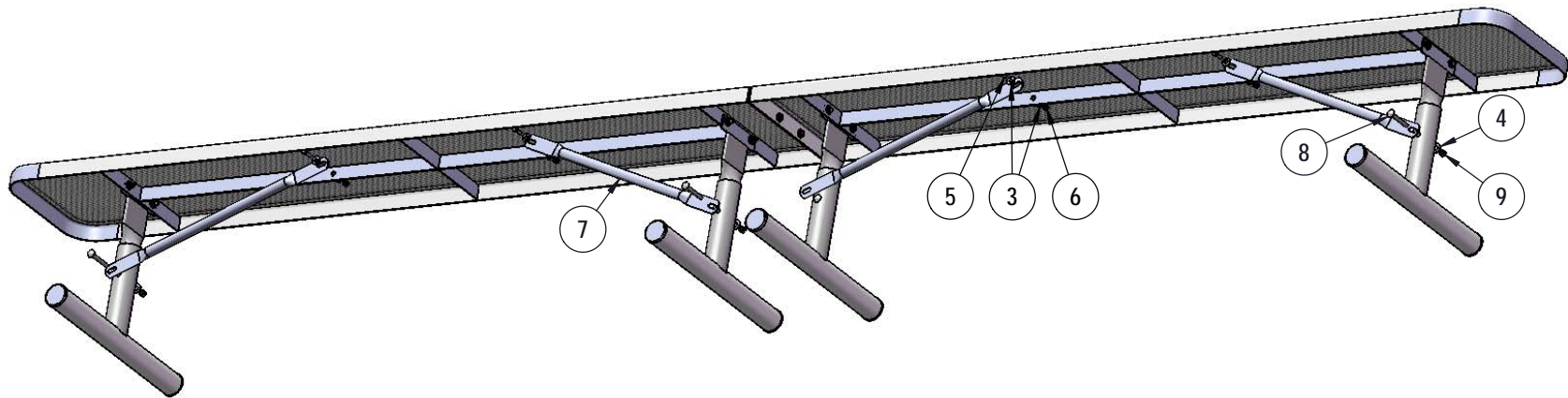
15 Ft. Portable Bench

STEP 1



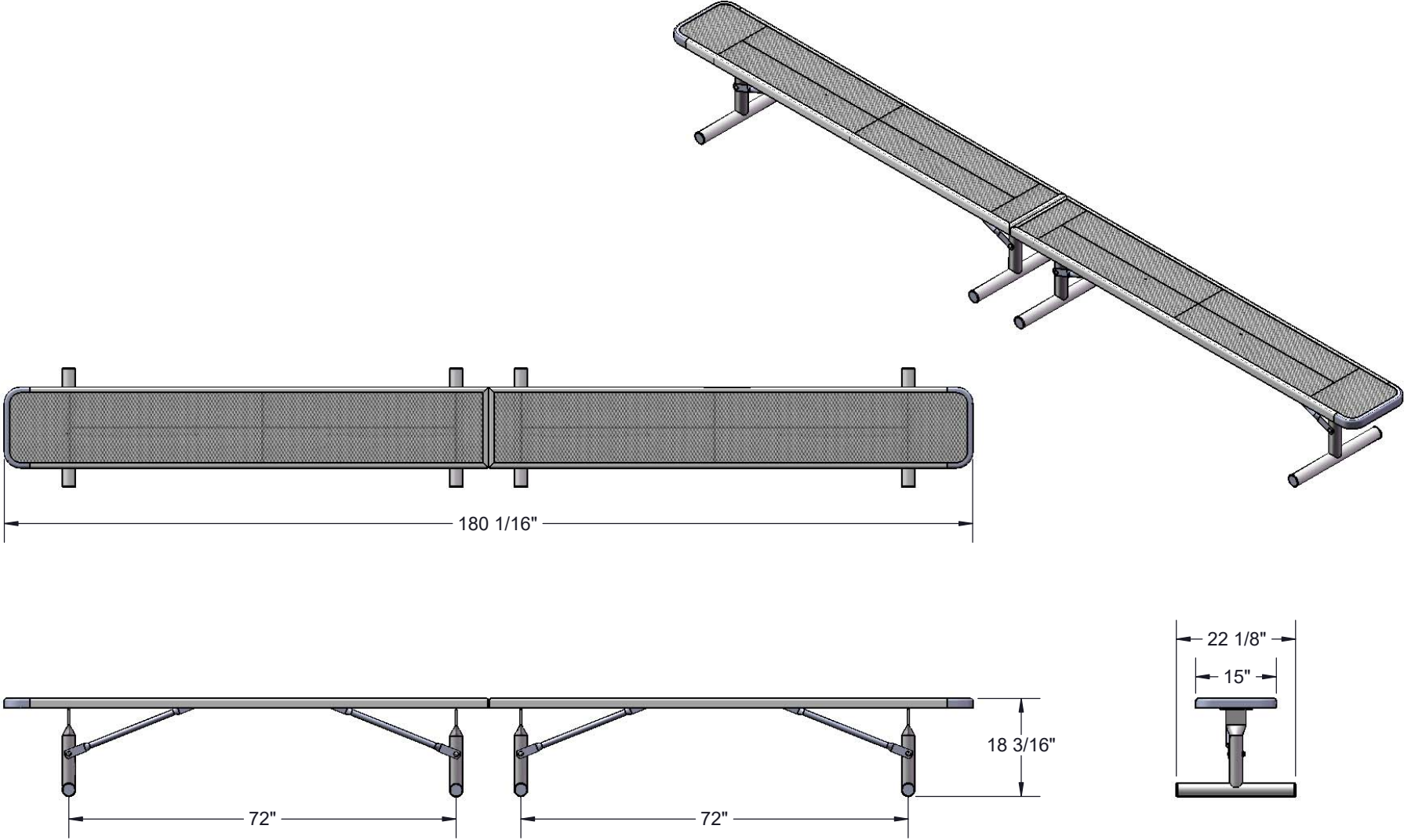
Attach the 15' Seats to the 940 Legs as shown using specified hardware.

STEP 2



Attach the 26-3/4" Braces to the Seats and Legs as shown using specified hardware.

OVERALL DIMENSIONS



15 Ft. Portable Bench