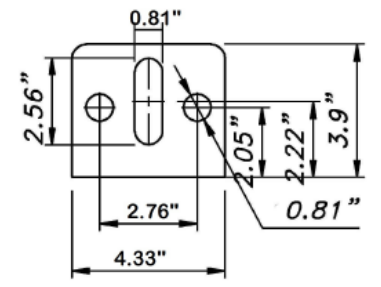
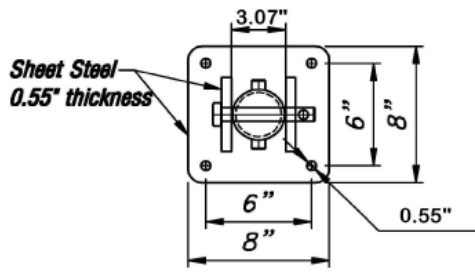


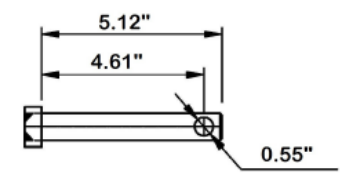
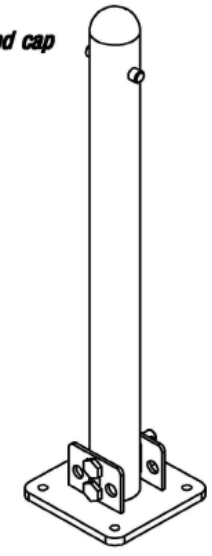
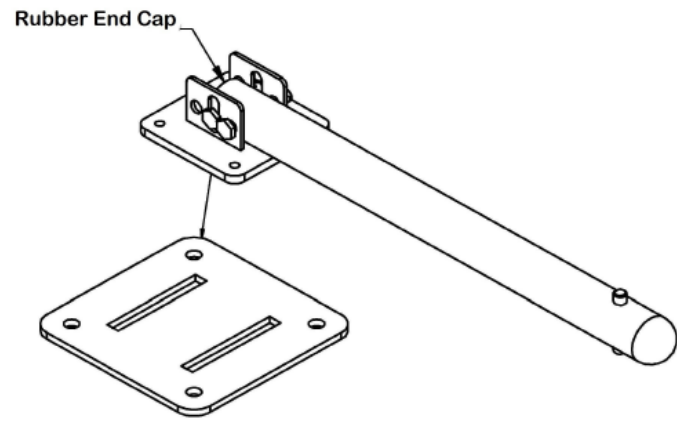
Sheet Steel 0.55" Thickness



Sheet Steel 0.55" Thickness



Sheet Steel 0.55" thickness



ROD 0.787"