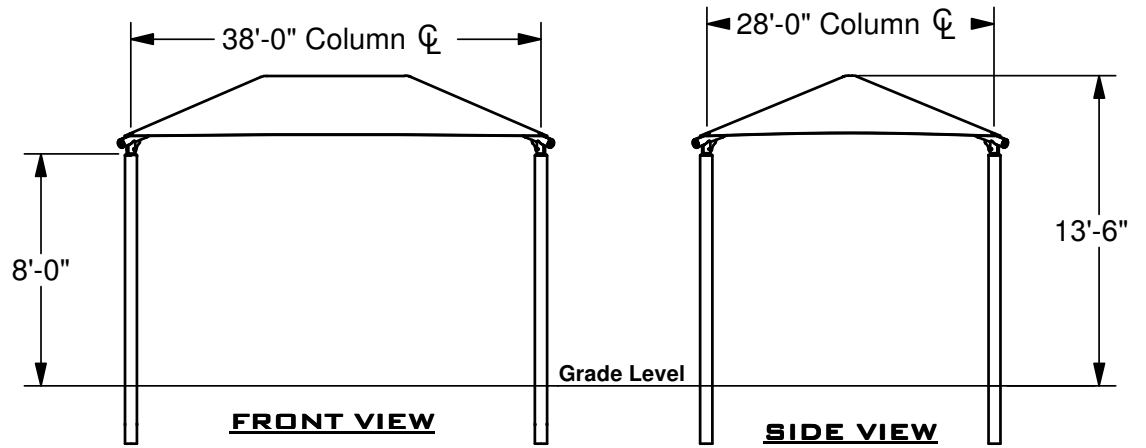
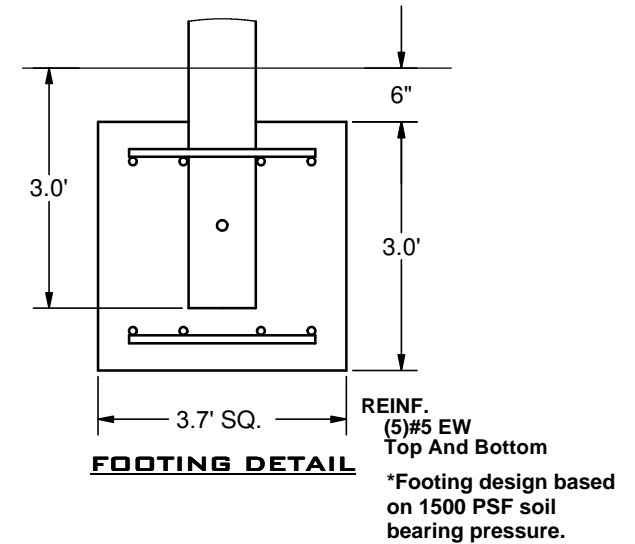
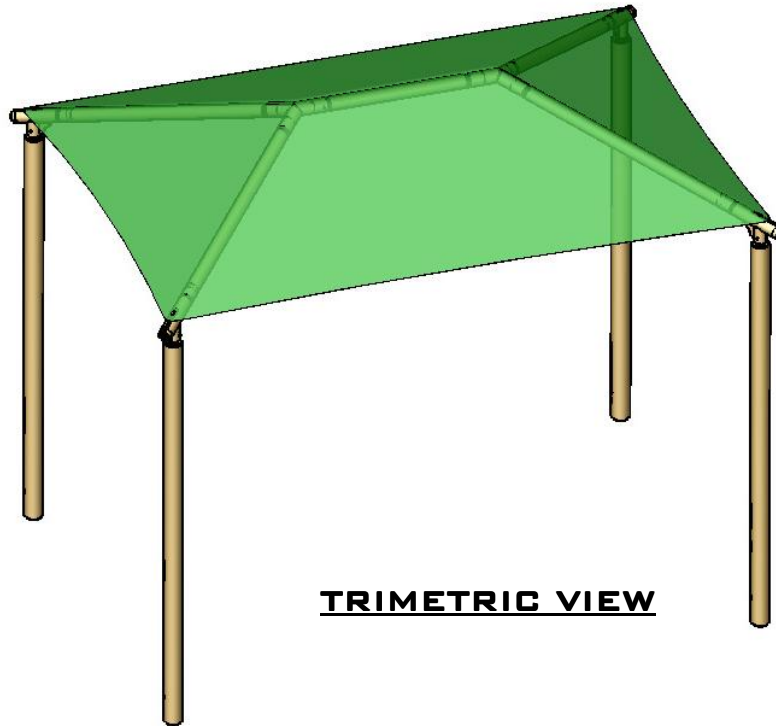


RECTANGLE HIP SHADE

28' x 38' x 8'



REF.#	PART DESCRIPTION	QTY.
1	Ø6.6" Capped Embedded Column	4
2	Angled Elbow	4
3	Ø3.5" Hip Rafter w/ Swaged End	4
4	Ø3.5" Ridge Pole w/ Swaged Ends	1
5	Rectangle "Y" Connection	2
6	Fabric Cover w/ Cable Insert	1
7	Frame Hardware Kit	1



*These drawings are for reference only and should not be used as construction details. Materials, fasteners, and foundations are subject to change if professionally sealed engineering drawings are required. Designed for 93 MPH Basic Wind Speed.*