

Specifications

Wheelstop & Shortstop

Product

6' wheelstop

3 mounting holes
center hole
2 end holes

Dimensions

72" l x 6" w x 4" h
5/8" dia. w/1.5" counterbore
36" on center from ea. end
6" on center from ea. end

Weight

21 lbs

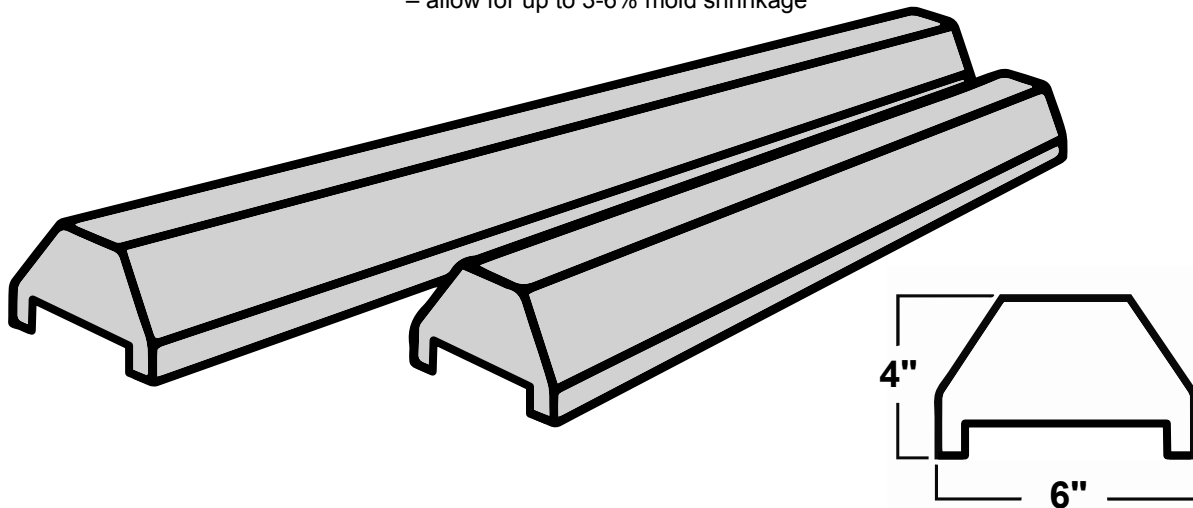
4' shortstop

2 mounting holes
2 end holes

48" l x 6" w x 4" h
5/8" dia. w/1.5" counterbore
4.5" on center from ea. end

14 lbs

*All dimensions are nominal
– allow for up to 3-6% mold shrinkage



Physical Properties

Compressive Strength:	3,200-3,800 lbs./sq. in.
Density:	0.917 to 0.980 g/cc (ASTM D792)
Electrical Properties:	>10 (ohm/cm) ASTM D257
Flexural Modulus:	1.6 x 10 psi
Flash Point:	330 °C (ASTM D138)
Hardness (Shore D):	65 Shore D
Izod Impact:	2.8 (lb f/in)
Tensile Strength:	1,470-1,700 psi
Thermal Expansion:	0.0007 (in/°F) ASTM D696
Water Absorption:	<0.01% 24 Hours (ASTM D570)
Composition:	97% LDPE, 3% colorant