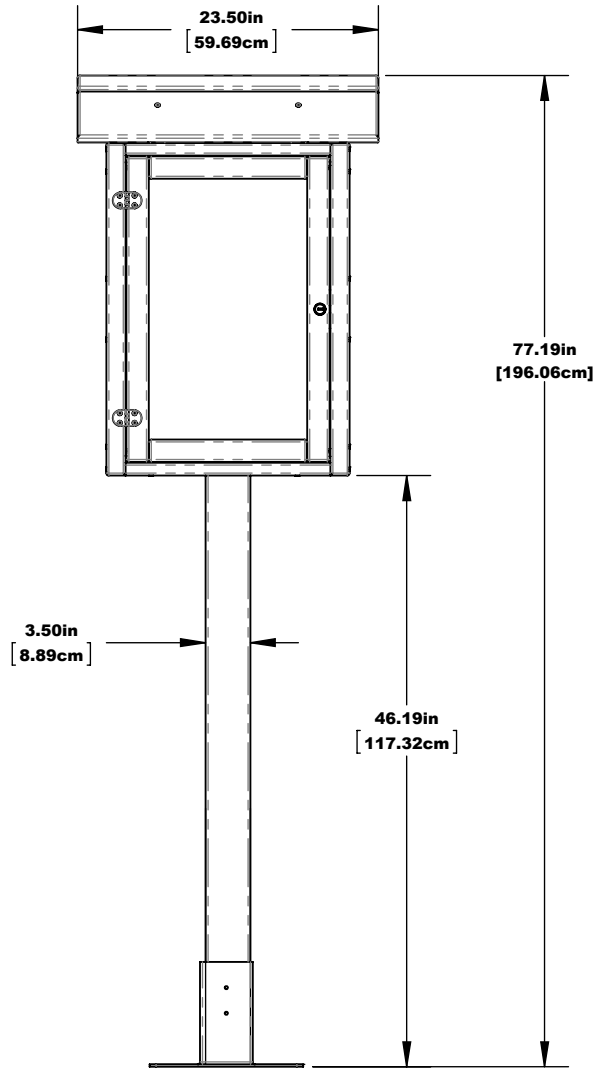
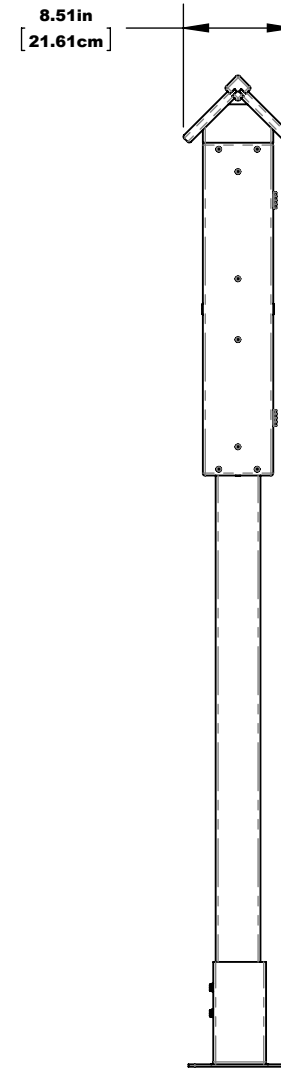


**SMALL MESSAGE CENTER
DOUBLE SIDED
SURFACE MOUNT**

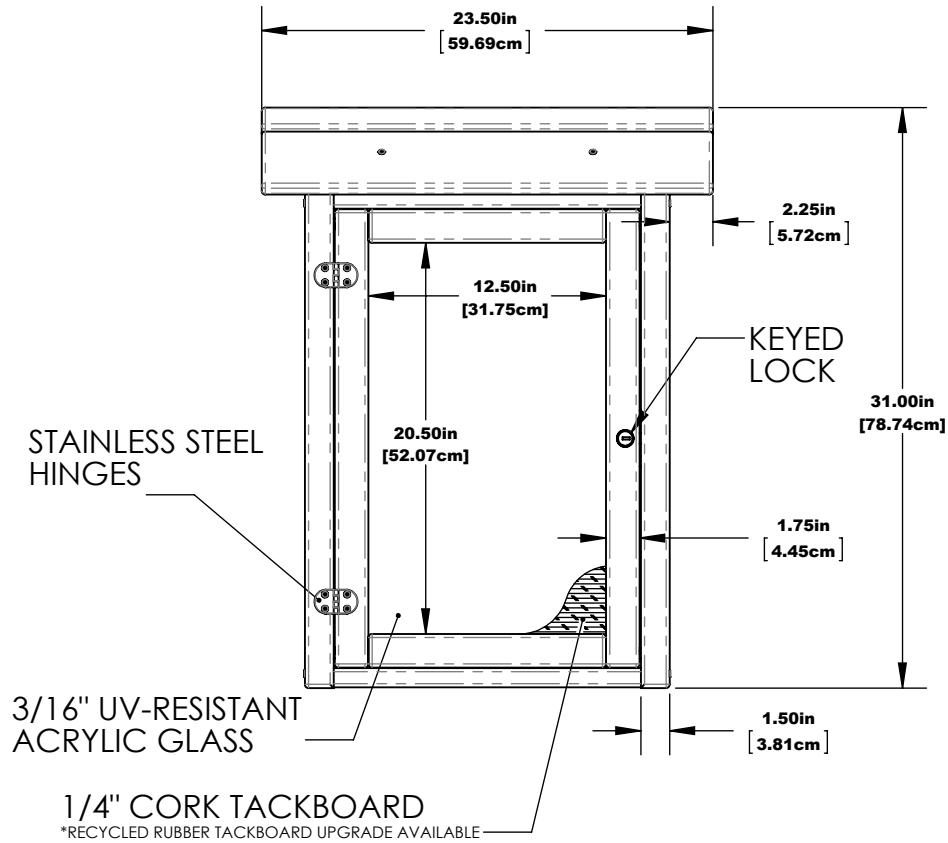


FRONT

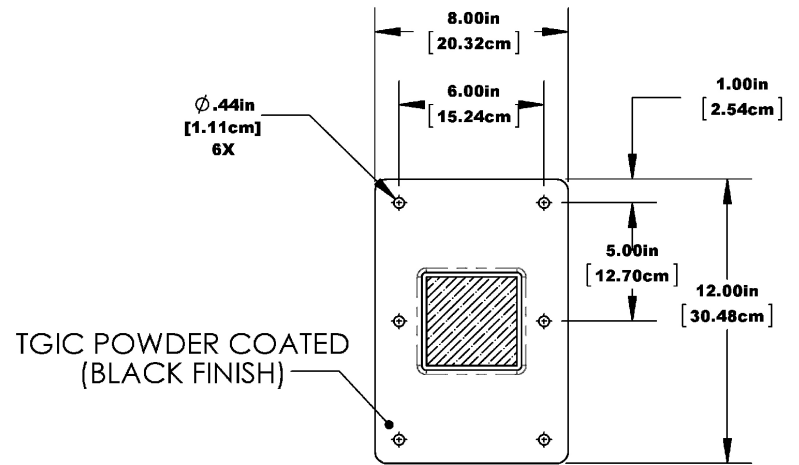


SIDE

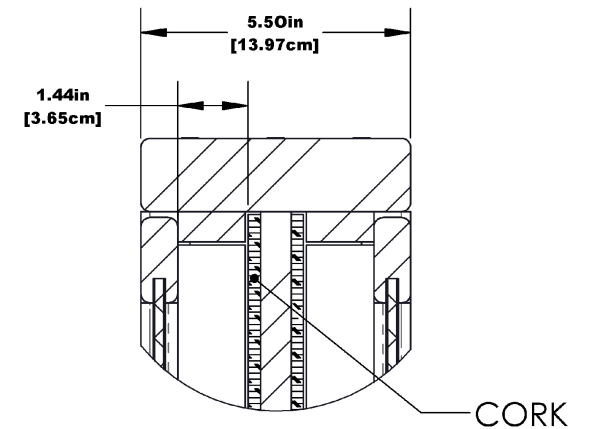
SMALL MESSAGE CENTER DOUBLE SIDED SURFACE MOUNT



1 MESSAGE CENTER DETAILS



2 MOUNTING DETAILS



3 MESSAGE CENTER DEPTH DETAILS

HARDWARE: STAINLESS STEEL
MATERIAL: RECYCLED PLASTIC, ACRYLIC, 1/4" CORK