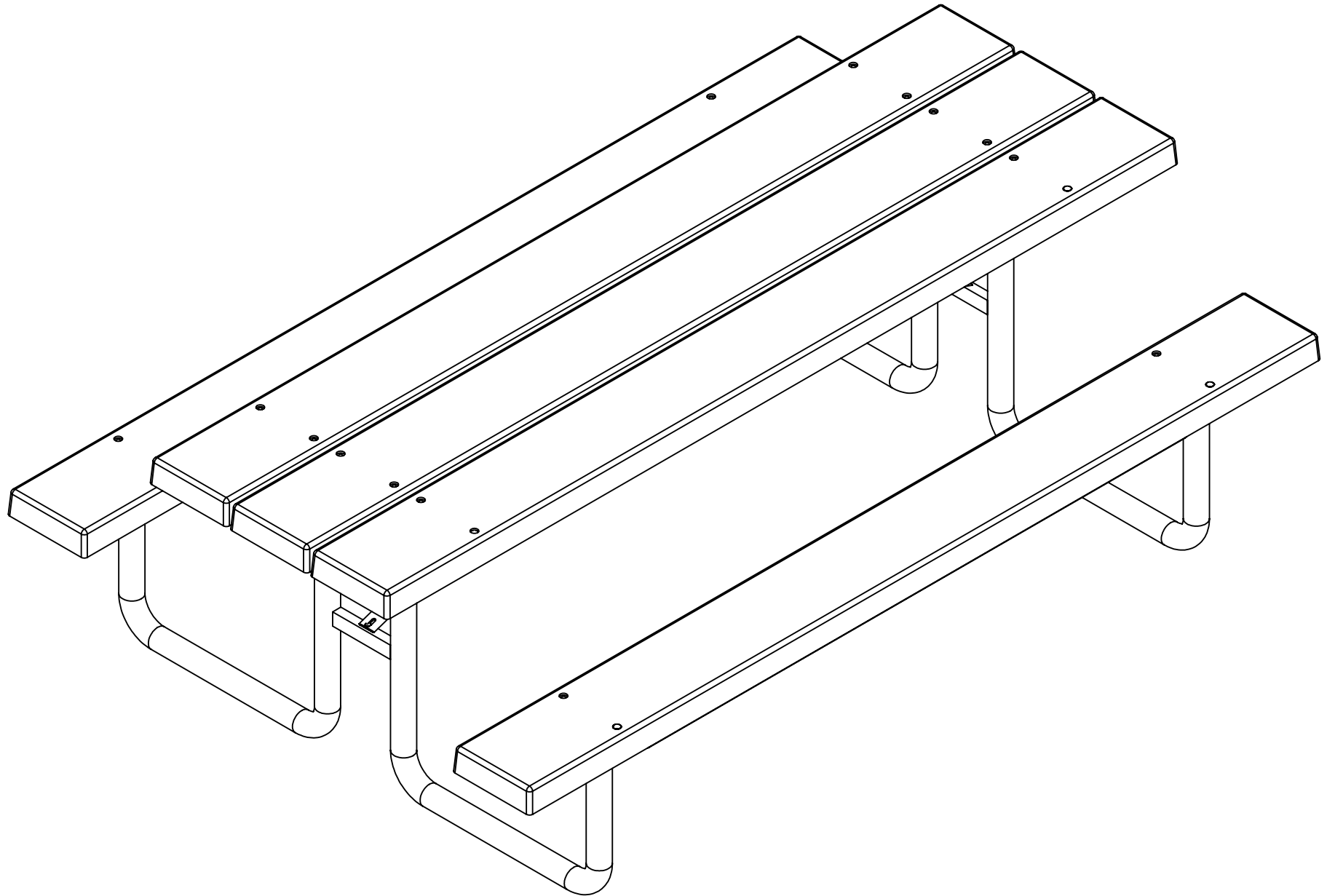
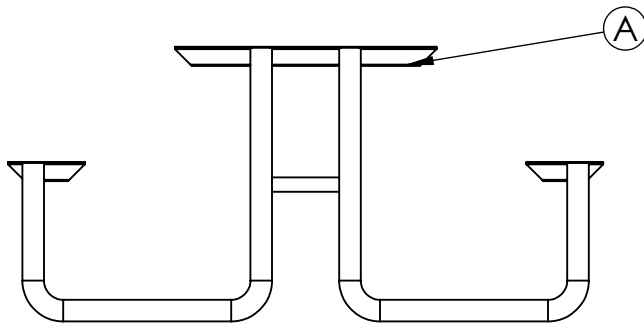


# BM1200 - BM1205 INSTRUCTIONS

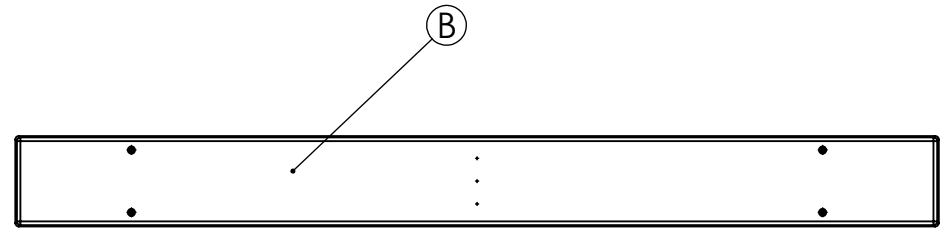
REV# 2  
4/22/2019



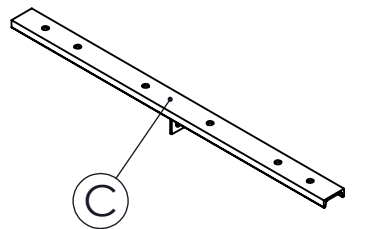
# BM1200 - BM1205 INSTRUCTIONS



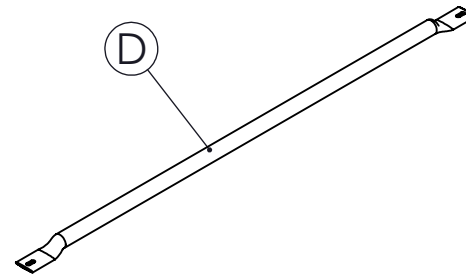
2  
STEEL FRAME  
10206-10218



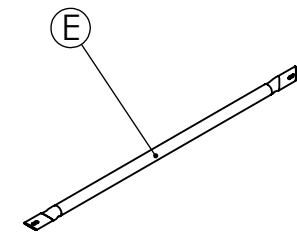
5  
PLASTIC BOARDS



1  
23" CENTER CHANNEL  
10089A



6  
TUBE SEAT AND  
TOP SUPPORTS  
10200-10097



2  
ANGLE SUPPORT BRACE  
10201-10203

## REQUIRED TOOLS (NOT INCLUDED)

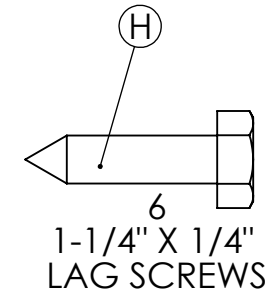
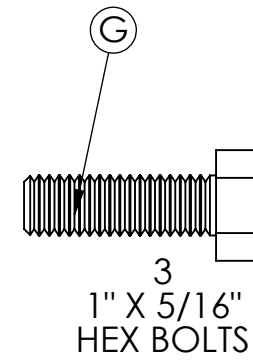
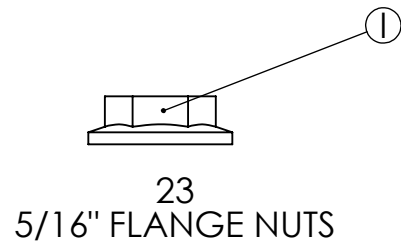
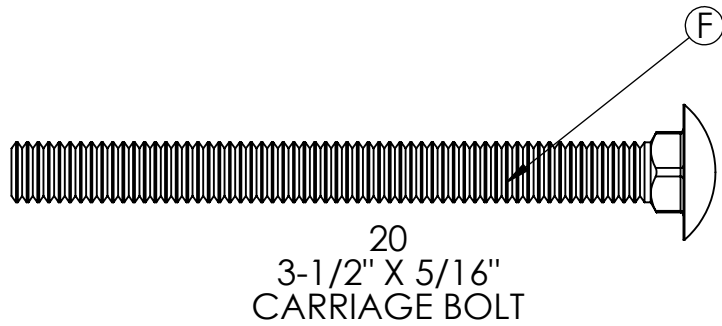
1 - 1/2" WRENCH  
1 - 1/2" SOCKET  
1 - 7/16" SOCKET  
1 - 1/8" DRILL BIT  
POWER DRILL

**NOTE: IT IS IMPORTANT TO KEEP ALL BOLTS FINGER TIGHT DURING ASSEMBLY UNTIL ENTIRE TABLE IS ASSEMBLED**

**HARDWARE &  
TOOLS REQUIRED  
FOR ASSEMBLY**

**2/6**

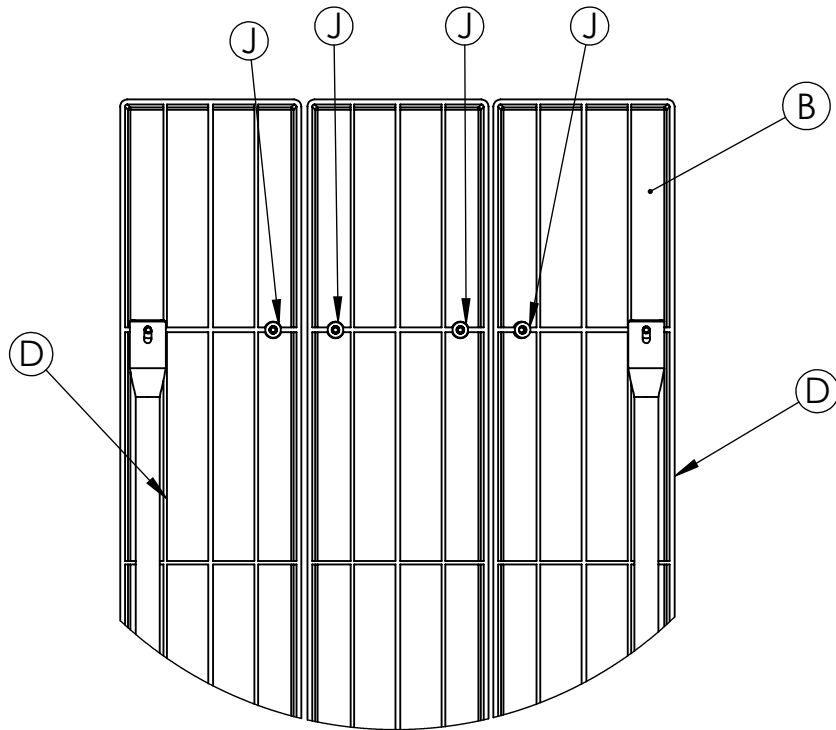
# BM1200 - BM1205 INSTRUCTIONS



# BM1200 - BM1205 INSTRUCTIONS

## STEP #1 Tabletop Assembly

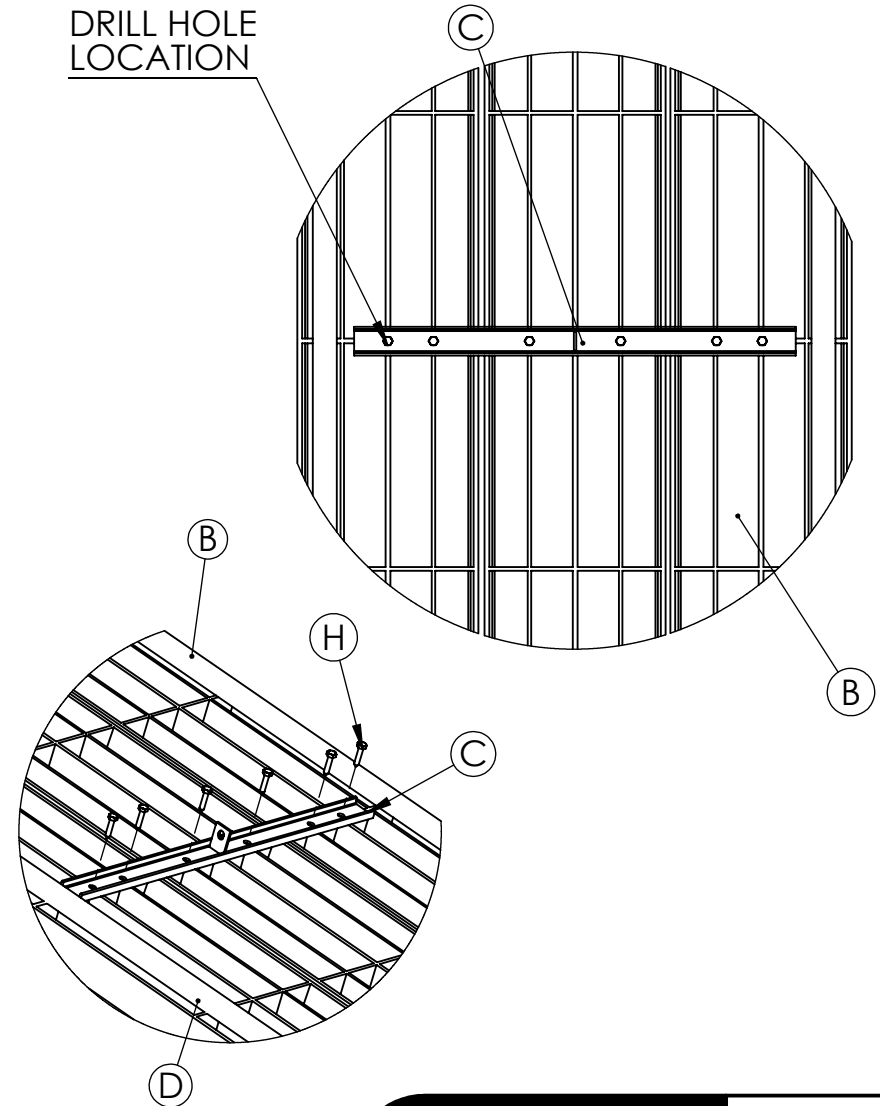
- Lay three boards (B) top side down on a flat clean surface
- Insert twelve 3-1/2" x 5/16" carriage bolts (F) into the holes from the top side so threads are showing
- Insert thick washers (K) on the 4 center bolts on each end
- Add seat tubes (D) onto the outermost bolts with tubes laying flat against boards.



## STEP #2 Tabletop Assembly

- Lay the 23" center channel (C) in the center of the tabletop assembly
- Drill six additional 1/8" pilot holes 1/2" deep in the center of the cross section of the boards at the hole locations on the 23" channel
- With the six 1-1/4" x 1/4" lag screws (H), secure the 23" channel to the boards

DRILL HOLE  
LOCATION



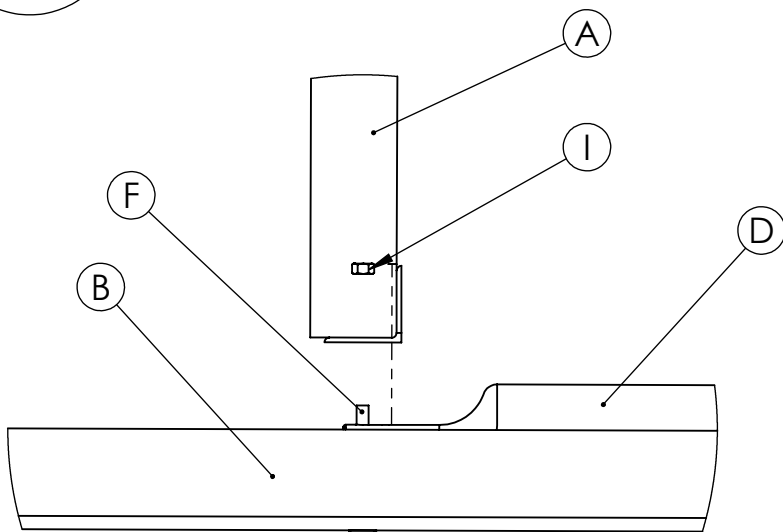
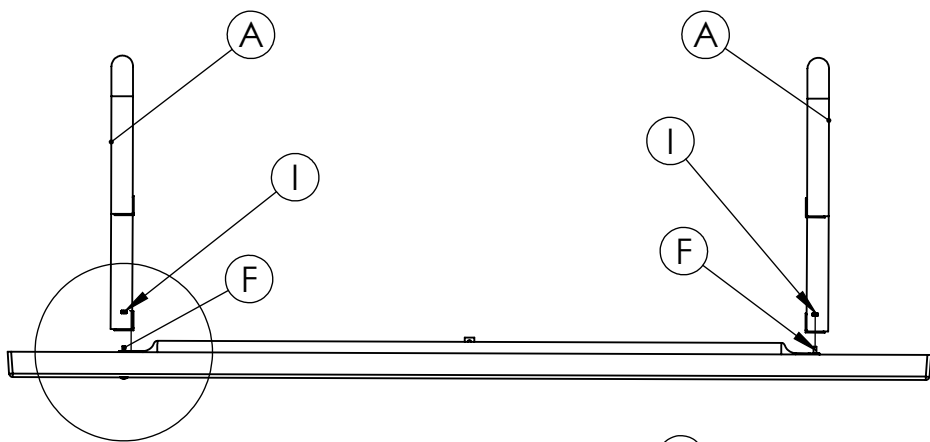
ASSEMBLE  
TABLETOP

4/6

# BM1200 - BM1205 INSTRUCTIONS

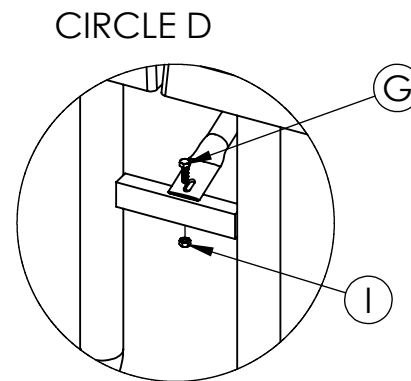
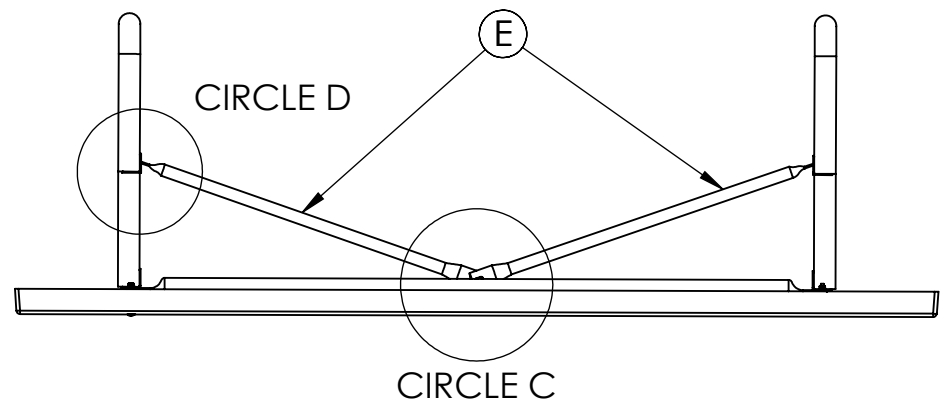
## STEP #3 Installing Steel Frames

- Flip the steel frames (A) upside down and onto the tabletop assembly of boards/thick washers/ and top tube supports
- Hand tighten the steel frames onto the boards with 3-1/2" x 5/16" carriage bolts (F) and 5/16" flange nuts (I)

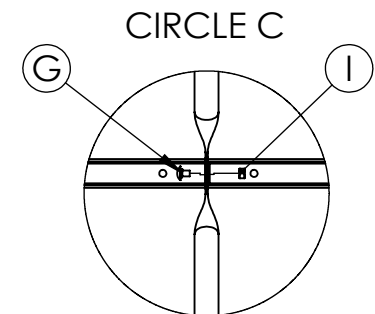


## STEP #4 Installing Angle Support Brace

- Place a 5/16" x 1" hex bolt (G) through the two braces and 23" center channel then hand tighten with a flange nut (I). See CIRCLE C
- Attach the angle support braces to the steel frames with 5/16" x 1" hex bolts (G). See CIRCLE D



Angle support brace connection to steel frame

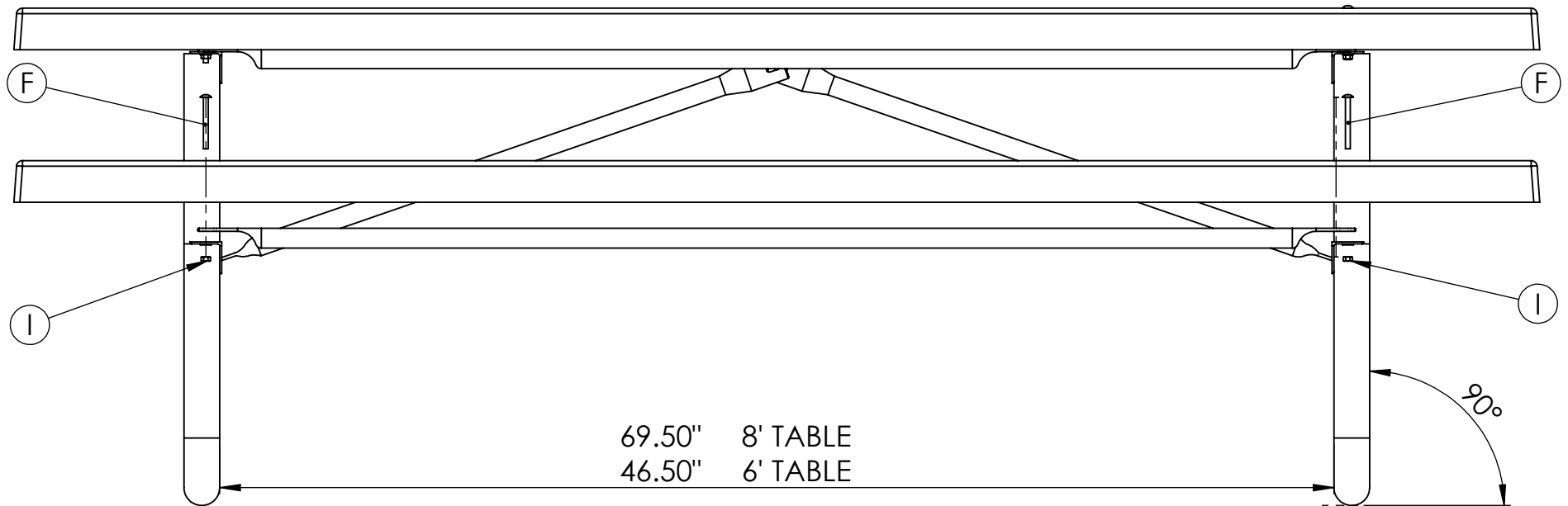


Angle support brace connection to center channel

# BM1200 - BM1205 INSTRUCTIONS

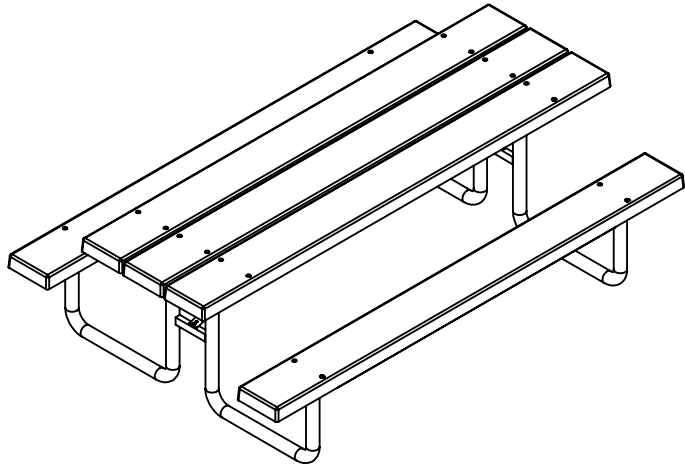
## STEP #5 Installing Seats

- With two people, carefully flip the table over
- Place two seat supports over the two steel flanges located over the seats
- Place a board over the seat tube supports. Align the holes of the board with the steel flange
- Place a 5/16" x 3-1/2" carriage bolt (F) through the holes on the board, through the seat support, then through the steel flanges and secure with 5/16" flange nut (J).
- Repeat this step on the opposite seat area.
- Assure table legs are square and plastic boards are aligned with each other and tighten all bolts and nuts.

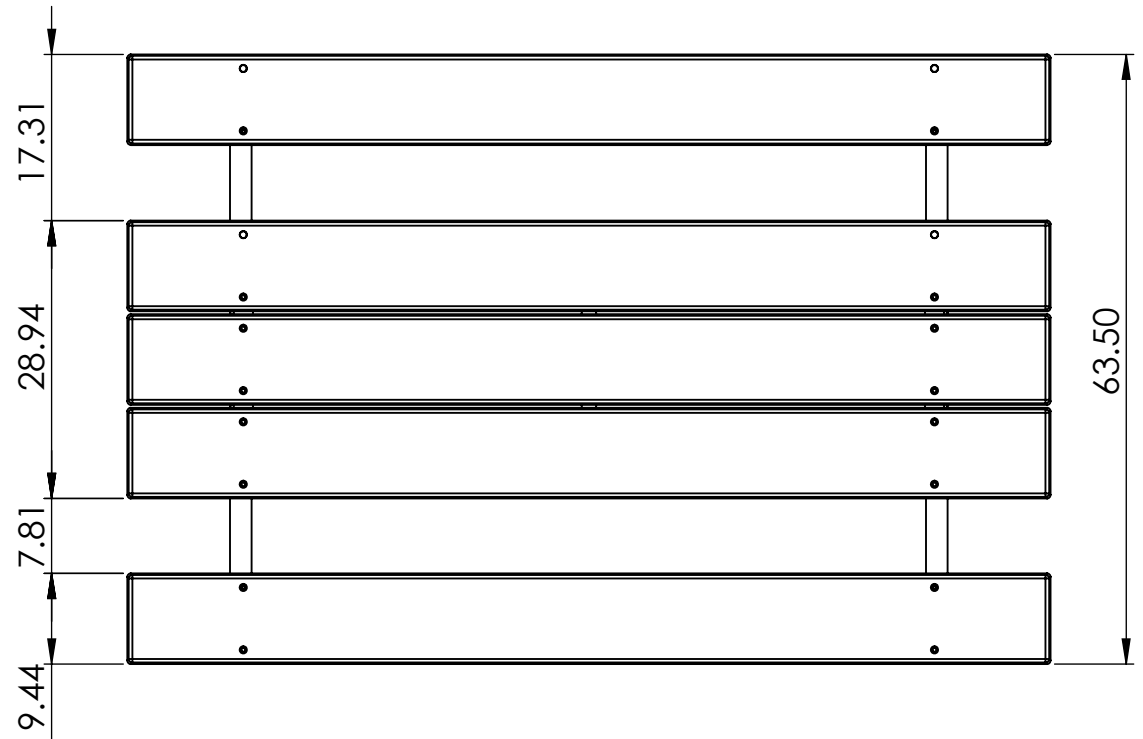


# BM1200 - BM1205 SPECIFICATIONS

REV# 2  
4/22/2019



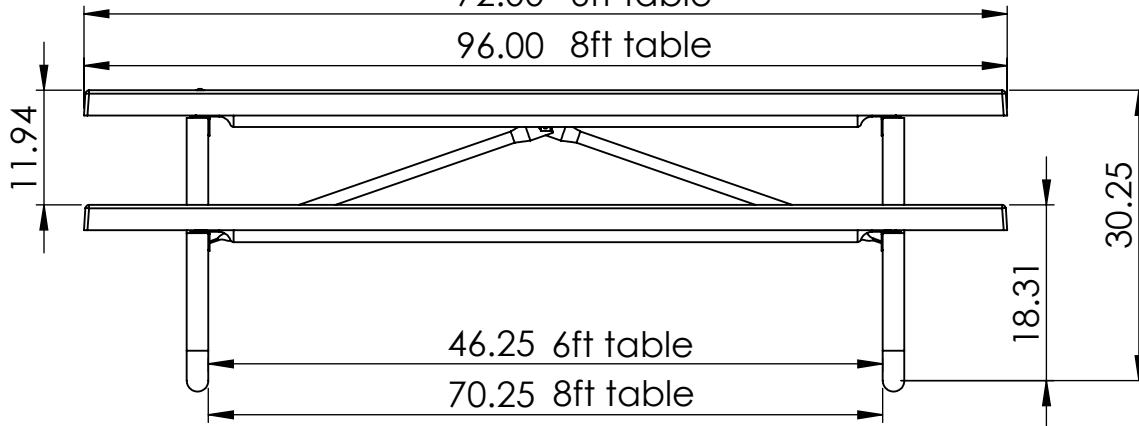
## TOP



## SIDE

72.00 6ft table

96.00 8ft table



ALL DIMENSIONS ARE SHOWN IN INCHES

# BM1200 - BM1205 SPECIFICATIONS

MATERIALS: PLASTIC, POWDER COATED STEEL

ITEM NUMBER	QTY.	DESCRIPTION
A1	6	1.5" X 1.5" STEEL ANGLE
A	2	1.5" OD STEEL TUBE
E	2	16 GAUGE 1.25" STEEL TUBE
D	6	16 GAUGE 1.25" STEEL TUBE
C	1	1" X .5" STEEL CHANNEL

