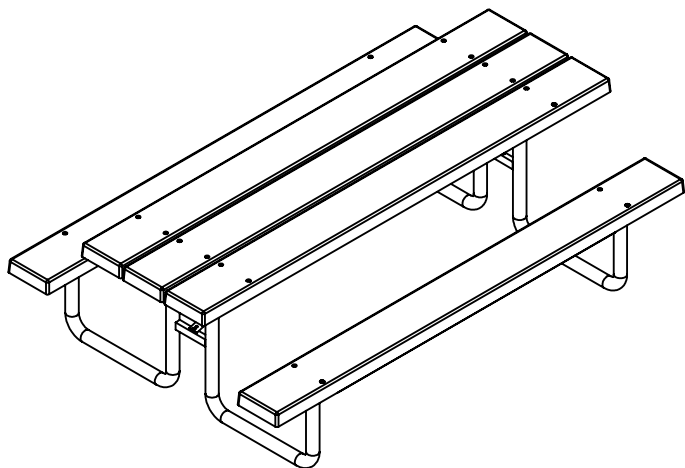
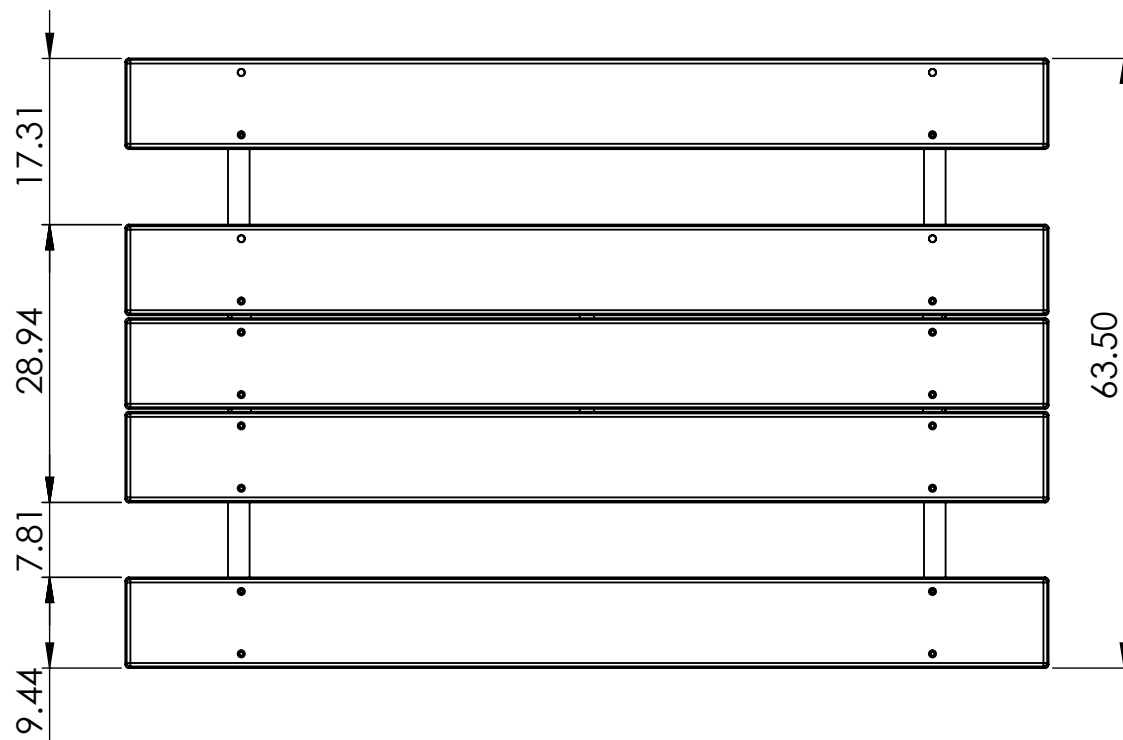


BM1200 - BM1205 SPECIFICATIONS

REV# 2
4/22/2019



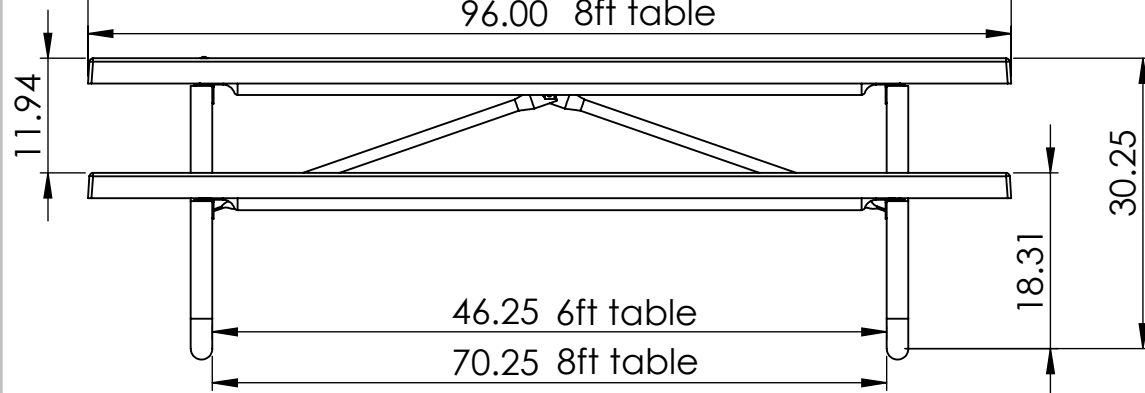
TOP



SIDE

72.00 6ft table

96.00 8ft table



ALL DIMENSIONS ARE SHOWN IN INCHES

BM1200 - BM1205 SPECIFICATIONS

MATERIALS: PLASTIC, POWDER COATED STEEL

ITEM NUMBER	QTY.	DESCRIPTION
A1	6	1.5" X 1.5" STEEL ANGLE
A	2	1.5" OD STEEL TUBE
E	2	16 GAUGE 1.25" STEEL TUBE
D	6	16 GAUGE 1.25" STEEL TUBE
C	1	1" X .5" STEEL CHANNEL

