

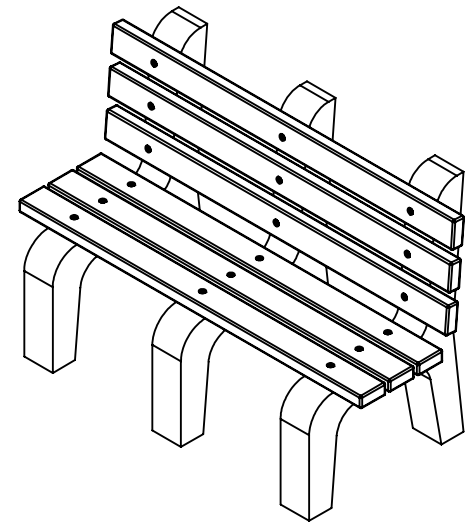
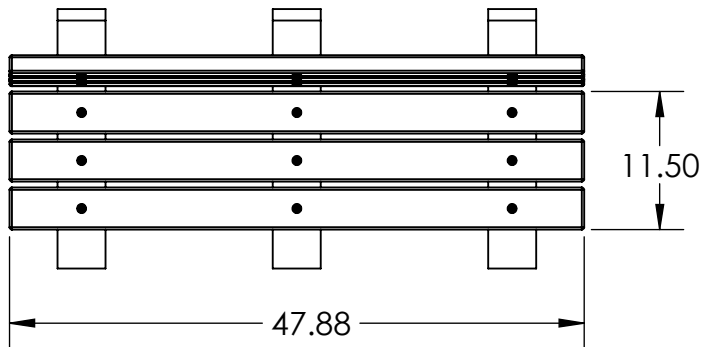
# BENCH SPECIFICATIONS

ALL DIMENSIONS SHOWN IN INCHES

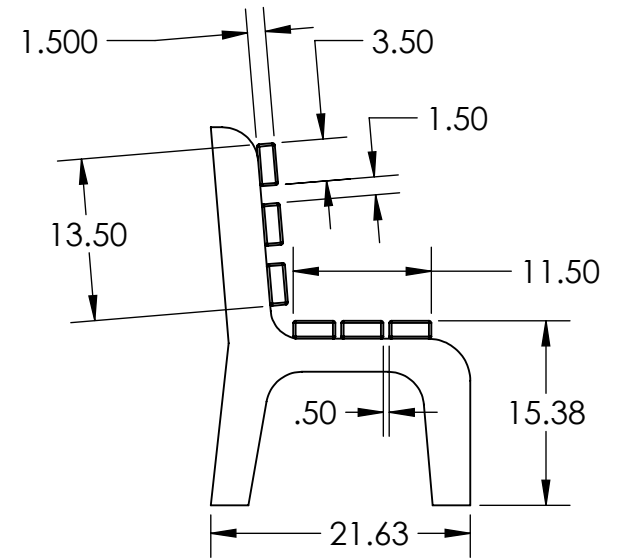
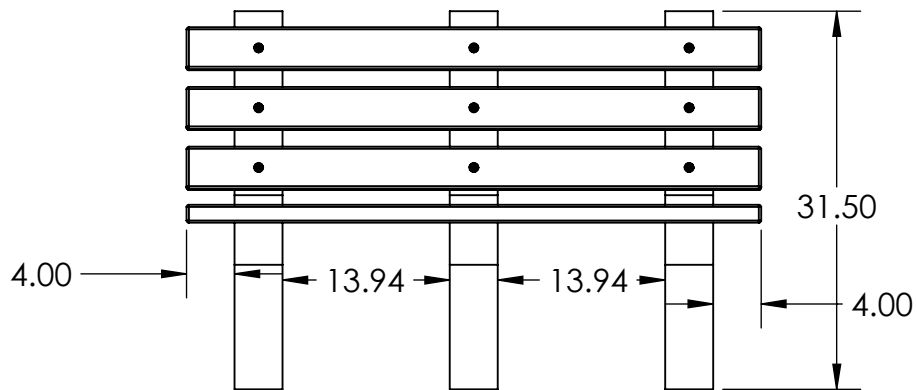
BC1444

REV #2  
1-22-2018

TOP VIEW



FRONT VIEW



SIDE VIEW

**CONSTRUCTION MATERIALS:**  
Recycled Plastic  
**HARDWARE:**  
Stainless Steel