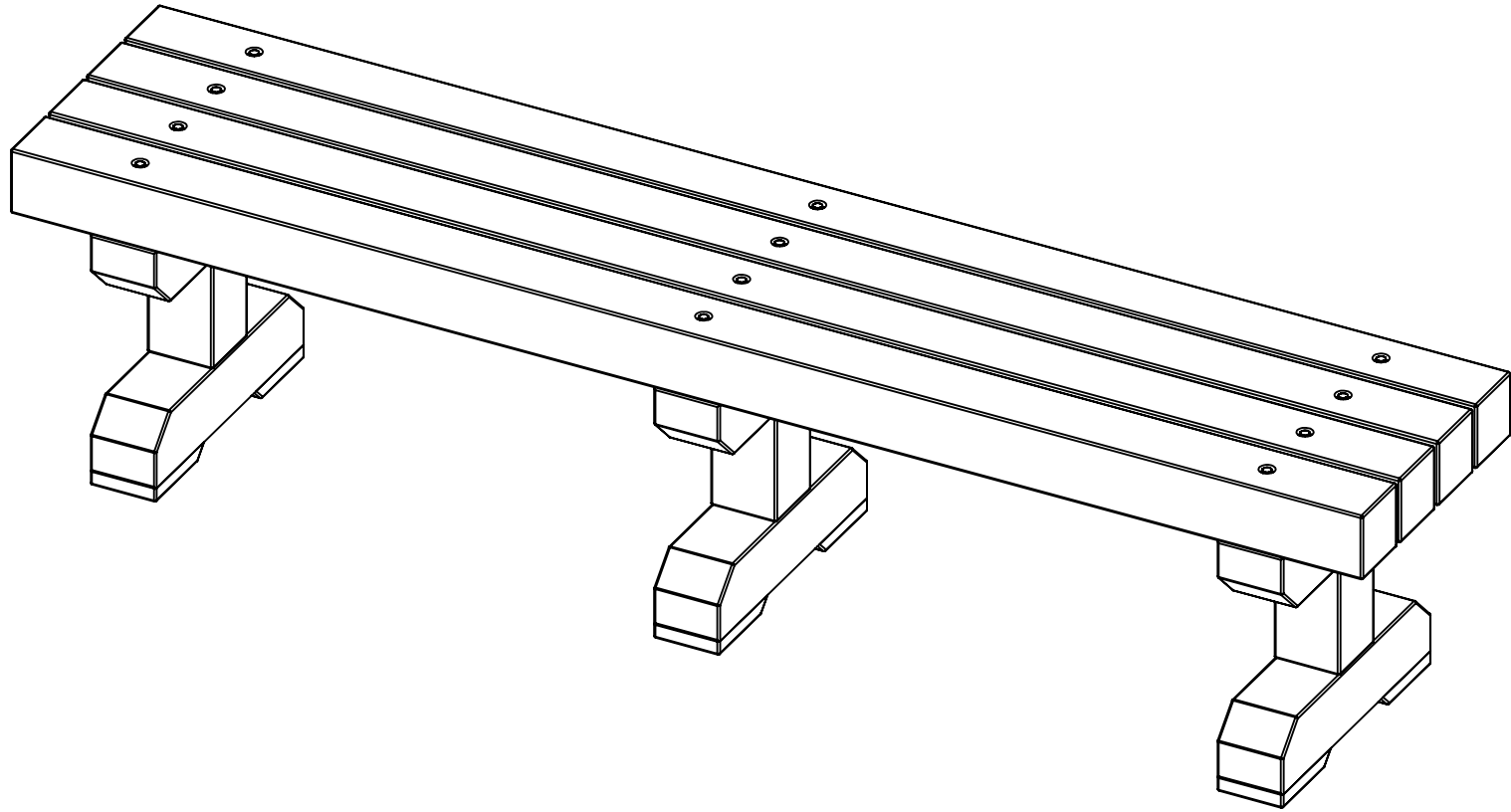
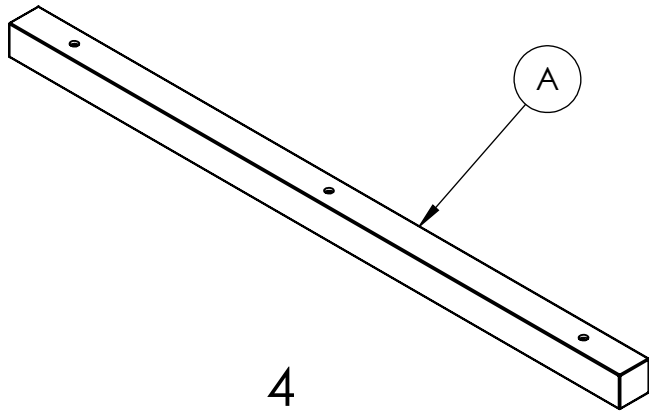


6 FT BENCH INSTRUCTIONS

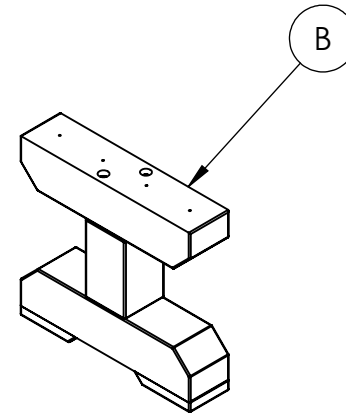
BC1245 REV 1
11/2015



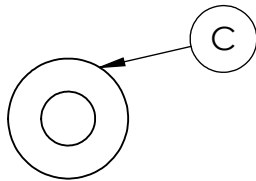
6 FT BENCH INSTRUCTIONS



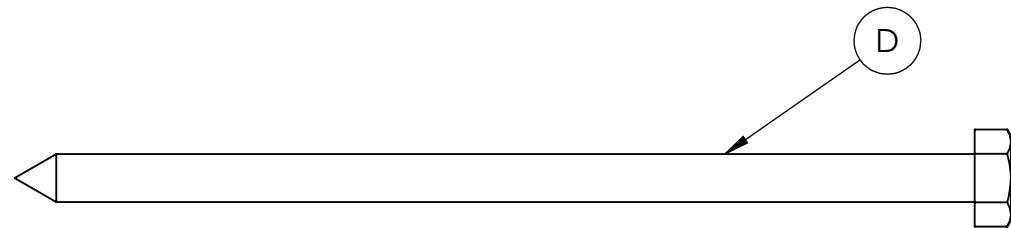
4
SEAT SLATS



3
BENCH ENDS



12
1/4" FLAT WASHER

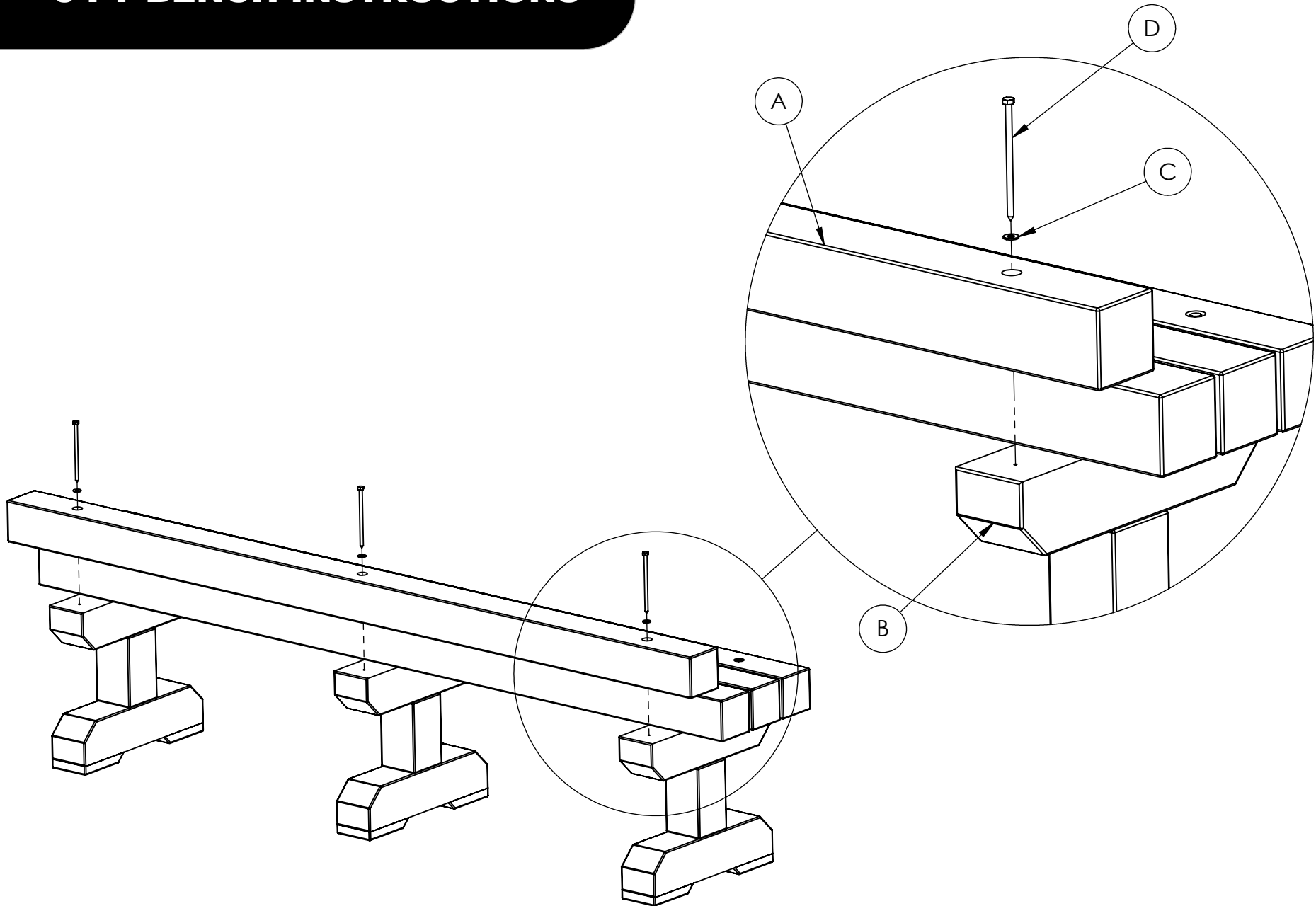


12
1/4" LAG SCREW

REQUIRED TOOLS:
-(1) 7/16" SOCKET

**INCLUDED HARDWARE &
REQUIRED TOOLS FOR
ASSEMBLY**

6 FT BENCH INSTRUCTIONS



6 FT BENCH SPECIFICATIONS

