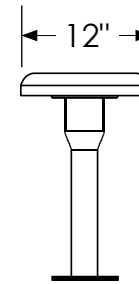
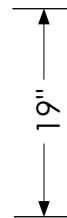
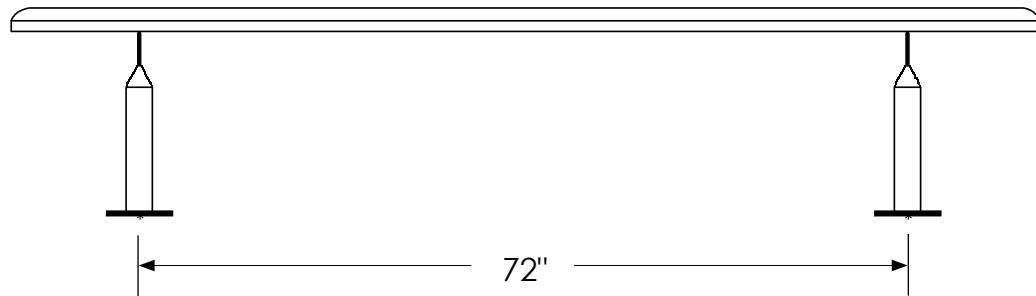
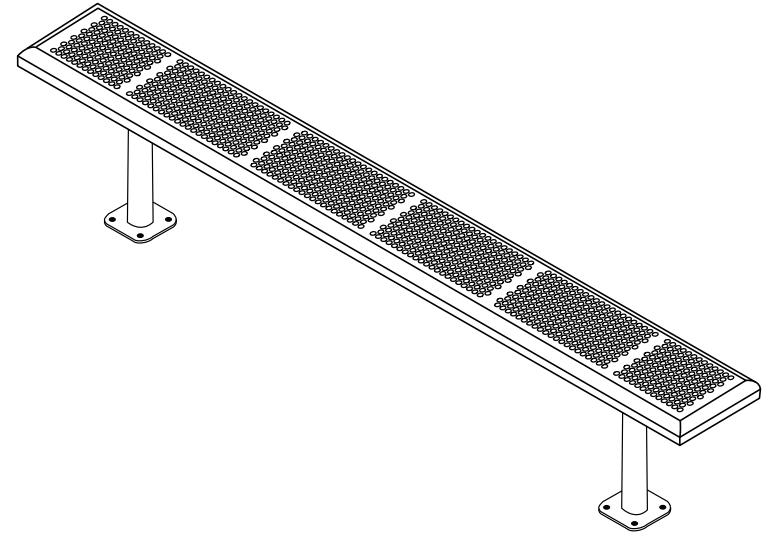
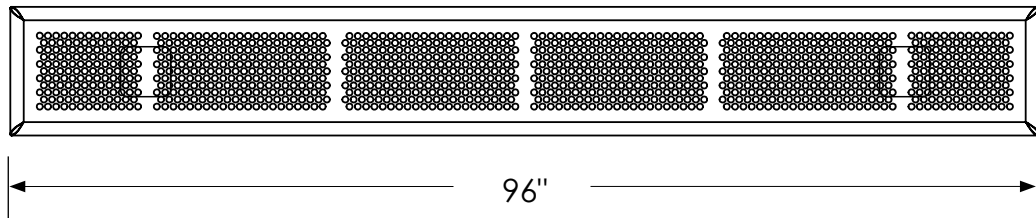


COMFORT™ SURFACE MOUNT BENCH SPECIFICATIONS



.....
TOTAL WEIGHT: 41 lbs
.....

- NOTES:**
- 1) Material: Bench Top - Steel with Thermoplastic Coating;
Frames - Steel with Powder Coating
 - 2) Assembly hardware included
 - 3) Surface mount hardware not included